

# ***U.S. Range***

## **U Series Gas Ranges**

*models* **U24 / U36 / U48 / U60**

---

**Garland Commercial Ranges, Ltd.**

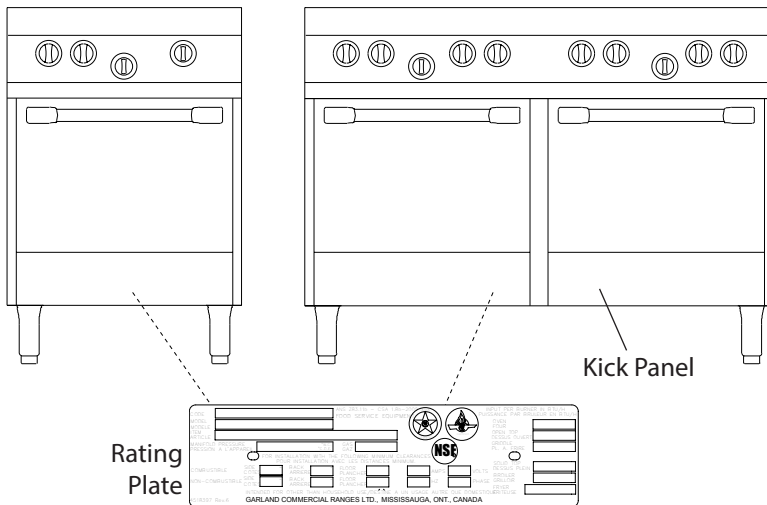
1177 Kamato Road  
Mississauga, Ontario L4W 1X4 Canada  
General Inquiries P: 905 624 0260 F: 905 624 5669  
[www.Garland-Group.com](http://www.Garland-Group.com)

**Parts & Service**

1 800 427 6668 (Phone, US & Canada)  
1 800 361 7745 (Fax, US & Canada)



## Rating Plate Location



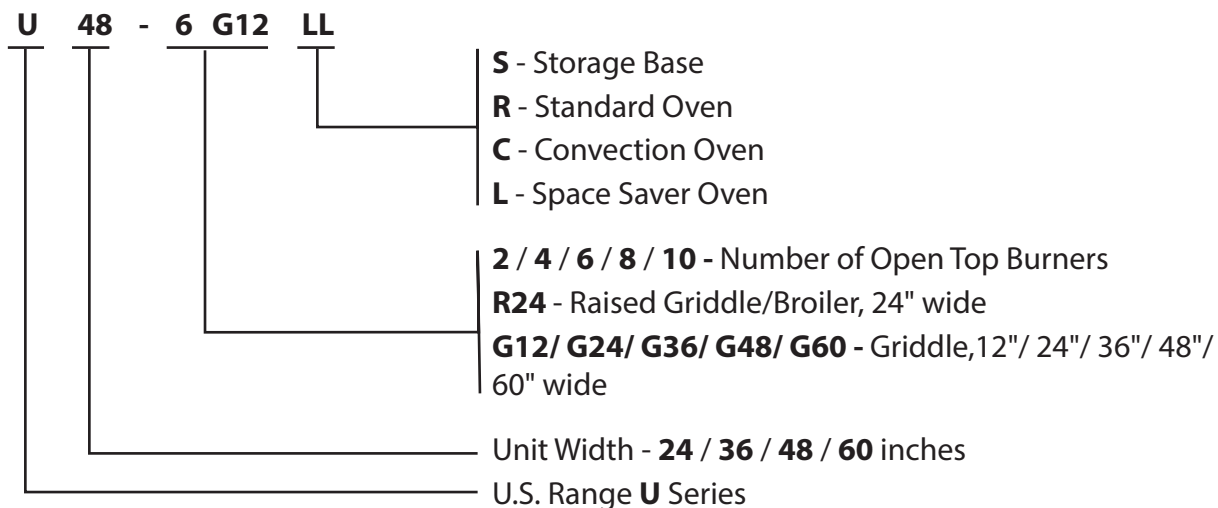
The Rating Plate (Product Identification Plate) is affixed to the front edge of the chassis bottom, behind the front kick panel.

For a double-oven model, the plate can be found behind the kick panel on the LEFT oven.

## Model Code Explained

The model configuration code can be found on the unit's rating plate.

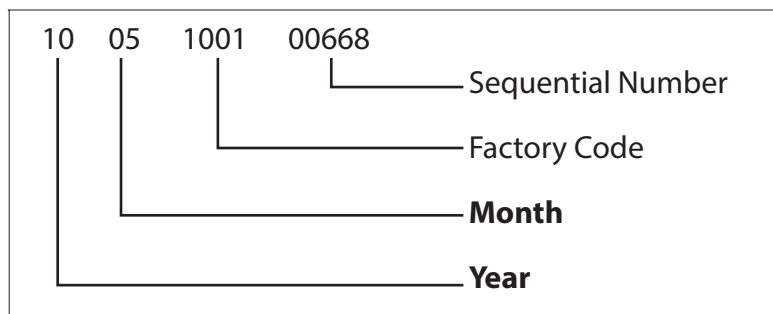
See "Rating Plate Location".



## Serial# - Year/Month Information

The serial number is **13 Digits long** and is stamped on the rating plate.

See "Rating Plate Location".





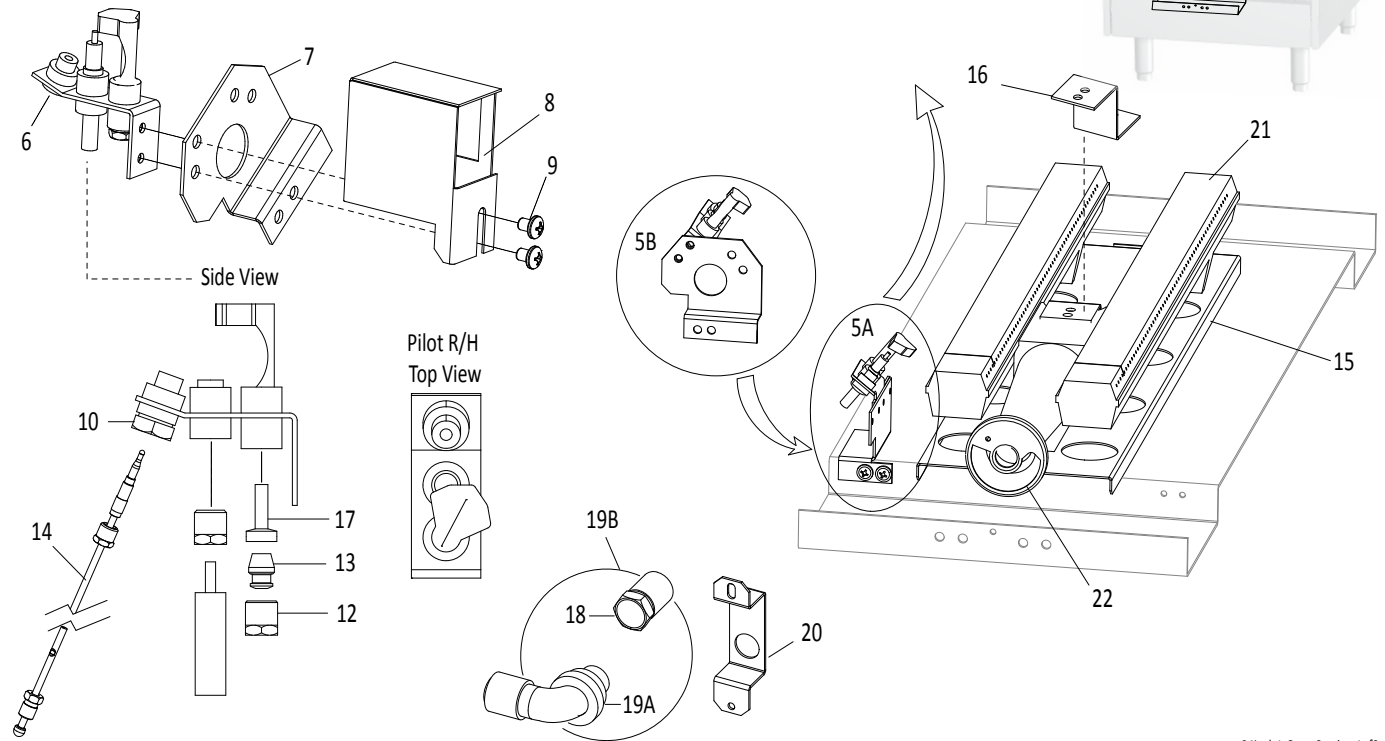
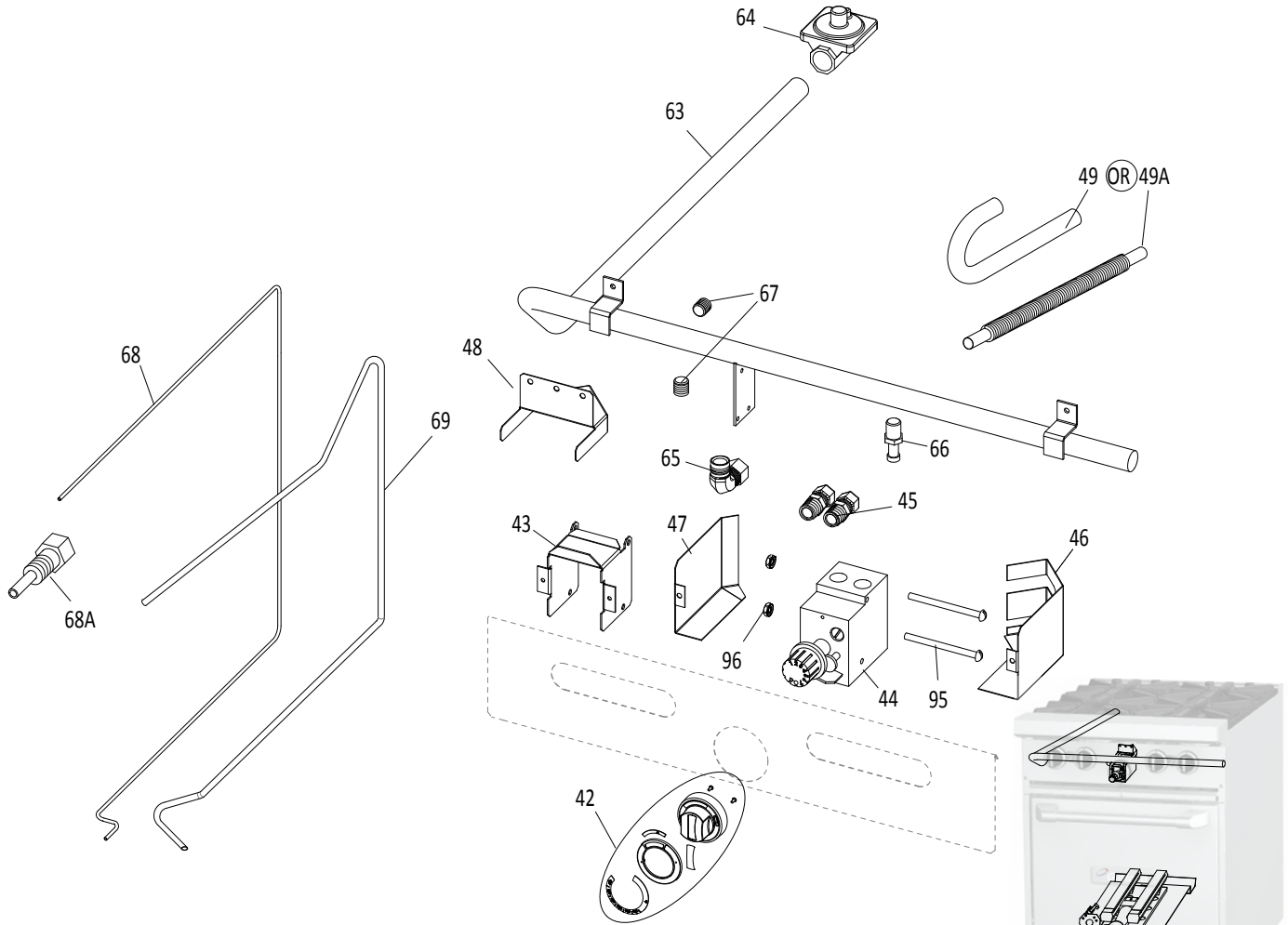
## U Series Gas Ranges

*models* **U24 / U36 / U48 / U60**

### Table of Contents

Rating Plate Location / Model Code & Serial# Information.....	2
Oven Section Components - 24" Single Space Saver Oven / Cabinet Door .....	4
Oven Section Components - 36" Single Standard Oven / Cabinet Door .....	10
Oven Section Components - 36" Single Convection Oven .....	16
Oven Section Components - 48" Single Standard Oven & Cabinet Door.....	22
Oven Section Components - 48" Single Convection Oven & Cabinet Door .....	28
Oven Section Components - 48" Double Space Saver Ovens .....	36
Oven Section Components - 60" Single or Double Standard Oven(s) / Cabinet Door .....	42
Oven Section Components - 60" Single or Double Convection Oven(s) / Cabinet Door .....	50
Range Top Section Components - Open Top Burners.....	58
Range Top Section Components - Hi/Low Griddle.....	60
Range Top Section Components - Raised Griddle Broiler.....	64
Range Top Section Components - Thermostat Griddle .....	68
Range Top Section Components - Hot Top.....	72
High Shelf & Low Profile Back Guard Components .....	74
Critical & Recommended Stock Parts List .....	76
List of Wiring Diagrams, Manuals, Gas Conversion Kits & Related Bulletins .....	77

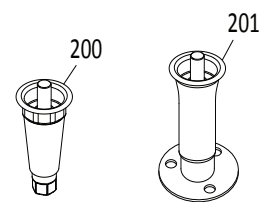
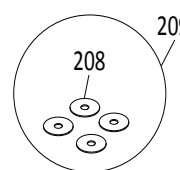
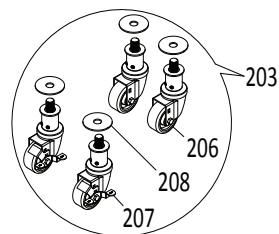
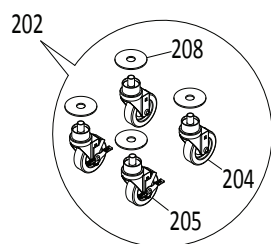
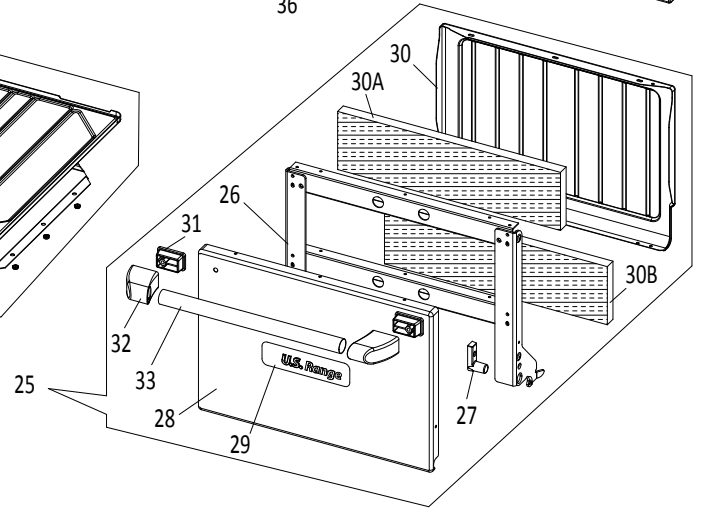
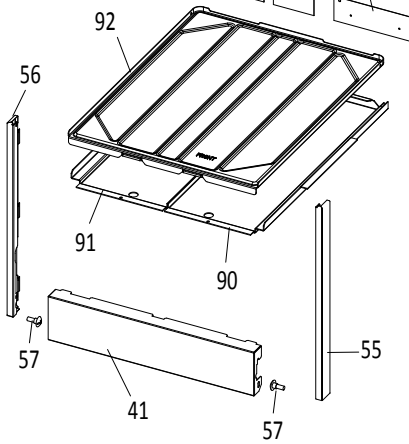
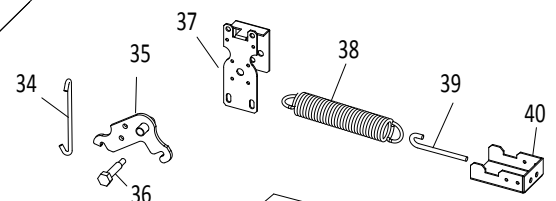
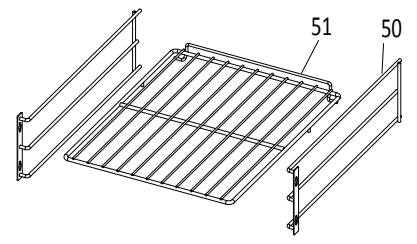
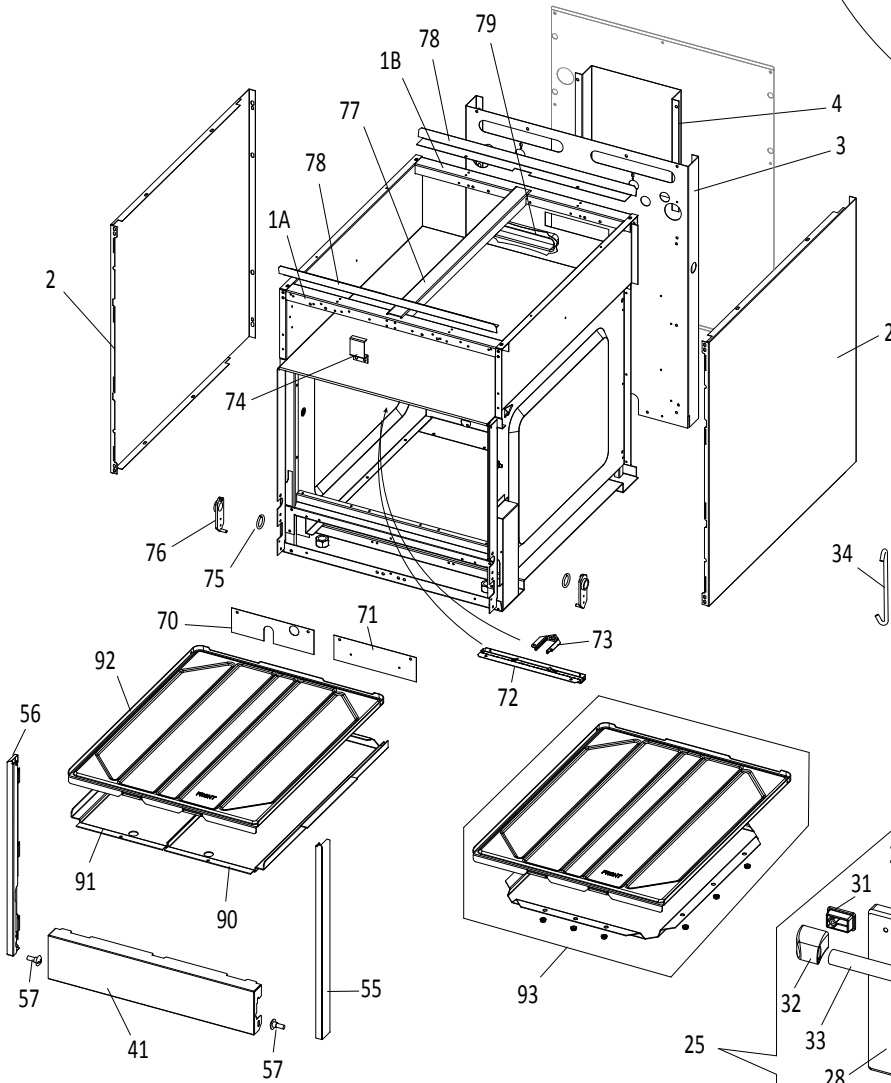
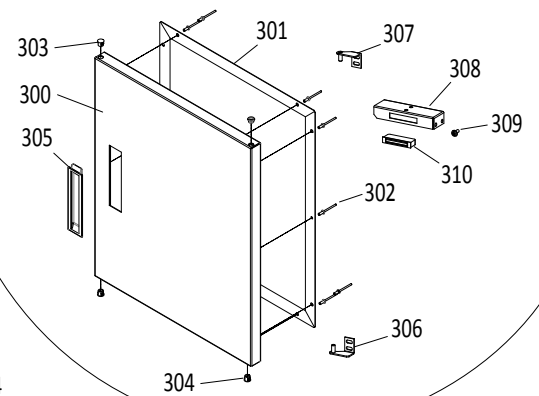
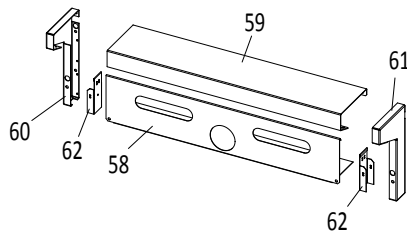
This parts list is updated regularly. Please find the most current revision  
on our website @ [www.Garland-Group.com](http://www.Garland-Group.com)





U Series Gas Restaurant Ranges

24" SINGLE SPACE SAVER OVEN / CABINET DOOR (2 OF 2)



24inch L Oven Section 2of2

**U.S. RANGE PARTS IDENTIFICATION**  
**U Series Gas Restaurant Ranges**  
**24" SINGLE SPACE SAVER OVEN / CABINET DOOR COMPONENTS**

ITEM	PART#	DESCRIPTION	QTY	FROM	UP TO	CRITICAL
1A	4523184	24" Main Channel Front	1			
1B	4525529	24" Main Channel Rear	1			
2	4522764	Body Side Lt/Rt	2			
3	4523041	Main Back 24" Oven	1			
4	4522762	Flue Riser Std Oven	1			
5A		Pilot Assembly and Pilot Bracket <b>Note:</b> Used <b>UP TO</b> (date) Jan 29, 2008 / (serial#) 0801100101981. When servicing, <b>IMPORTANT</b> to <b>replace both</b> pilot assembly and bracket <b>with</b> the Range Oven <b>Pilot Kit</b> (item <b>5b</b> ).			29-JAN-08	
5B	<b>4524826</b>	<b>Range Oven Pilot Kit Natural Gas, on L/H Side of Burner</b>	1	30-JAN-08		C
	<b>4524828</b>	<b>Range Oven Pilot Kit Propane Gas, on L/H Side of Burner</b>	1	30-JAN-08		C
6	<b>2200700</b>	<b>Pilot R/H #0.145.010 (Mounted on L/H Side of Burner)</b> <b>Note:</b> Used <b>FROM</b> (date) 30-Jan-08 / (serial#) 0801100101981.	1	30-JAN-08		C
7	4524677	Pilot Bracket <b>Note:</b> Used <b>FROM</b> (date) 30-Jan-08 / (serial#) 0801100101981.	1	30-JAN-08		
8	4525285	Oven Pilot Shield L/H for 2200700 Pilot R/H <b>Note:</b> Used <b>FROM</b> (date) 12-Jun-08 / (serial#) 0806100100492.	1	12-JUN-08		
9	F440	#10 - 32 x 1/4" Screw	3			
10	<b>2200706</b>	<b>Thermocouple Retaining Nut</b>	1			C
12	<b>2200704</b>	<b>3/16" Compression Nut - Oven Pilot</b>	1			C
13	<b>2200705</b>	<b>3/16" Ferrule - Oven Pilot</b>	1			C
14	<b>4523506</b>	<b>Thermocouple Oven 60"</b>	1			C
15	4522763	Oven Burner Rest	1			
16	2512200	Burner Hold Down Bracket	1			
17	<b>2200702</b>	<b>Pilot Orifice #32 Natural Gas</b>	1			C
	<b>2200703</b>	<b>Pilot Orifice #23 Propane</b>	1			C
18	<b>M9-33</b>	<b>Large Orifice # 33 Natural Gas</b>	1			C
	<b>M9-51</b>	<b>Large Orifice # 51 Propane</b>	1			C
19A	<b>14155XX</b>	<b>Oven Orifice Fitting (without orifice)</b>	1			C
19B	<b>1415533F</b>	<b>Oven Orifice Fitting with #33 Hood (Natural)</b>	1			C
	<b>1415551F</b>	<b>Oven Orifice Fitting with #51 Hood (Propane)</b>	1			C
20	4522781	Orifice Bracket - Oven	1			
21	4525464	H - Burner with Air Shutter Assembly (Partially Ported) <b>Note:</b> Assembly includes a cast iron H-burner (p/n 1014901) and an air shutter (item 22).	1			
22	2512100	Oven Burner Air Shutter	1			
25	4525153	US Range 20W Oven Door Assembly	1			
26	4523125	Door Frame Assembly 20W	1			
27	1082500	Oven Door Trunion	2			
28	4522738	Oven Door Panel 20W (with holes)	1			
29	4529726	US Range Logo	1			
30	4522378	Oven Door Liner 20W	1			
30A	4522791	Insulation Door Filler 20W	2			
30B	4522790	Insulation Door Brace 20W	2			
31	4522407	Door Handle End Insulator	2			
32A	4522404	Door Handle End	2	9-SEP-09		
32B*	4525585	Door Handle Kit 20W US Range Oven <b>Note:</b> Use this Kit for units manufactured from 21-NOV-2008 to 8-SEP-2009. Kit includes items 31, 32A, 33, and fasteners.	1			

\* NOT ILLUSTRATED

**RECOMMENDED STOCK PARTS**

**U.S. RANGE PARTS IDENTIFICATION**  
**U Series Gas Restaurant Ranges**  
**24" SINGLE SPACE SAVER OVEN / CABINET DOOR COMPONENTS**

ITEM	PART#	DESCRIPTION	QTY	FROM	UP TO	CRITICAL
32C*	4524912	Door Handle End, Aluminum, US Range <b>Note:</b> This item is <b>No Longer Available</b> . Use Handle Kit 4525585 (item 32B) for an unit manufactured from (dates) 21-NOV-2008 to 8-SEP-2009 (serial#) 0811100101067 (model) U36-6C-0004.		NLA	NLA	
33	4522645	Door Handle 24" 1.250 dia.	1			
34	1082802	Hinge Link Rt	1			C
35	4522772	Bell Crank Assembly	1			
36	F299	Bolt 1/4-20x1/2" Bell Crank	1			
37	4522818	Bell Crank Support Bracket	1			
38	1005800	Oven Door Spring	1			C
39	9004701	Oven Door Spring Hook	1			
40	4523654	Spring Support Bracket (20W Door)	1			
41	4523039	Kick Panel 20W	1			
42	<b>4524668</b>	<b>Knob Assembly - Oven SIT, deg. F</b>	1			C
	<b>4524669</b>	<b>Knob Assembly - Oven SIT, deg. C</b>	1			C
43	4523081	ES Shield Mount	1			
44	<b>CK4603990</b>	<b>SIT Oven Control 1.0MM Min Rate Screw Service Kit (Natural Gas) (From S/N 1903100101182)</b>	1			C
	<b>CK4531688</b>	<b>SIT CONTROL SUNFIRE PRO WITH 0.8MM BYPASS (Propane) (From S/N 1903100101177)</b>	1			C
45	1095499	Straight Connector 7/16	2			
46	4523079	ES Shield Rt	1			
47	4523080	SIT Lt Shield	1			
48	4523499	SIT Top Shield	1			
49	4523145	Tube - Sit To Manifold	1			
49A	4520720	7/16" Flexible Tubing Sit To Manifold <b>NOTE:</b> Applicable Only for Models with 12"Griddles Mounted on the L/H Side of the Range.	1			
50	4522411	Rack Guide 26D	2			
51	4522410	Oven Rack 20W x 26D	1			
55	4522991	Corner Column Rt 24"	1			
56	4522990	Corner Column Lt 24"	1			
57	F298N	Bolt, #10-24 x 3/8" Shoulder Truss HD, Nickel Plated	2			
58	4523199	24" Valve Panel - All (4) Open Top Burners	1			
	4524339	24" Valve Panel - 12" Griddle (Thermostat) - R/H	1			
		24" Valve Panel - 12" Griddle (Standard, HI-LO Valve) - R/H <b>Note:</b> Switched from 4523199 to 4524339 (date: 02-Dec-09, serial#: 0911100101162, model: G60-6G24RR-0002)	1	02-DEC-09		
	4524340	24" Valve Panel - 12" Griddle (Thermostat) - L/H	1			
		24" Valve Panel - 12" Griddle (Standard, HI-LO Valve) - L/H <b>Note:</b> Switched from 4523199 to 4524340 (date: 02-Dec-09, serial#: 0911100101162, model: G60-6G24RR-0002)	1	02-DEC-09		
	4523621	24" Valve Panel - 24" Griddle (Thermostat) 24" Valve Panel - 24" Griddle (Standard) <b>Note:</b> Switched from 4523620 to 4523621 (date: 02-Dec-09, serial#: 0911100101162, model: G60-6G24RR-0002)	1	02-DEC-09		
59	4523196	24" Plate Rail	1			
60	4523073	Valve Panel End Cap - Left	1			
61	4523074	Valve Panel End Cap - Right	1			
62	4526110	Burner Box Filler	2			

\* NOT ILLUSTRATED

**RECOMMENDED STOCK PARTS**

**U.S. RANGE PARTS IDENTIFICATION**  
**U Series Gas Restaurant Ranges**  
**24" SINGLE SPACE SAVER OVEN / CABINET DOOR COMPONENTS**

ITEM	PART#	DESCRIPTION	QTY	FROM	UP TO	CRITICAL
63	4522561	Manifold Assembly - 24" (without Fittings)	1			C
64	<b>2127502</b>	<b>Regulator - Natural Gas 4.5" WC</b>	1			C
	<b>2127500</b>	<b>Regulator - Propane Gas 10" WC</b>	1			C
65	4529768	90 deg Elbow Fitting, 7/16CC to 3/8NPT	1			
66	G02251-1	Pressure Test Spigot	1			
67	2203400	1/8" NPT Pipe Plug	2			
68	4523142	.187 (3/16) Dia Tubing - SIT Valve to Oven Pilot	1			
68A	4527220	SIT Pilot Tube Connection	1			
69	4530485	.437 (7/16) Dia Tubing - SIT Valve to Oven Orifice Fitting	1			
70	4523043	Air Shield Pilot 20W	1			
71	4523042	Air Shield Solid 20W	1			
72	4523052	Capillary Guard 20W Standard Oven	1			
73	4523030	Bulb Guard Standard Oven	1			
74	4523194	Rail Support Bracket	1			
75	1082700	Harness Ring, Nickel Plated	2			
76	4522400	Trunion Bracket	2			
77	4523087	Grate Support Rail	1			
78	4523186	24" Drip Angle	2			
79	1005110	Flue Collar - Aluminized	1			
90	4604123	Baffle Right 20W	1			
91	4604122	Baffle Pan 20W Left	1			
92	4522384	Oven Hearth 20W x 26D - Enamelled	1	3-MAY-08		
93	4523053	Oven Hearth Assembly 20W x 26D <b>Note:</b> Used <b>UP TO</b> serial# 0804100101527 / date 2-May-08. Assembly includes an oven hearth with studs (p/n 4523326), an oven hearth baffle (p/n 4523054), and pal nuts (p/n F95). Components listed for reference only; not sold separately.	1		2-MAY-08	
95	F16	SIT to Manifold Mounting Bolts (#10-24 x 2-1/2", Round Head, Slot Drive)	2			
96	F312	SIT to Manifold Mounting Lock Nut (#10-24, K-Lock Nut)	2			

\* NOT ILLUSTRATED

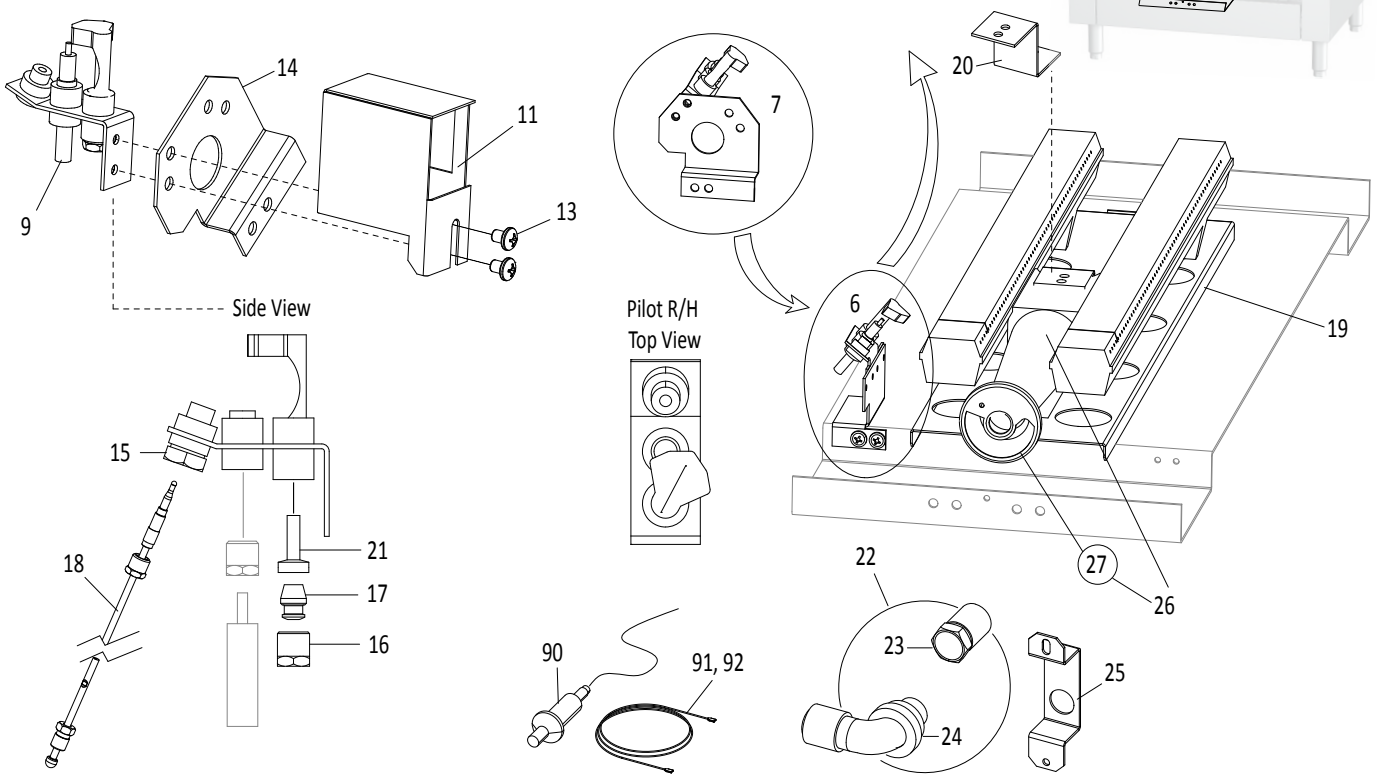
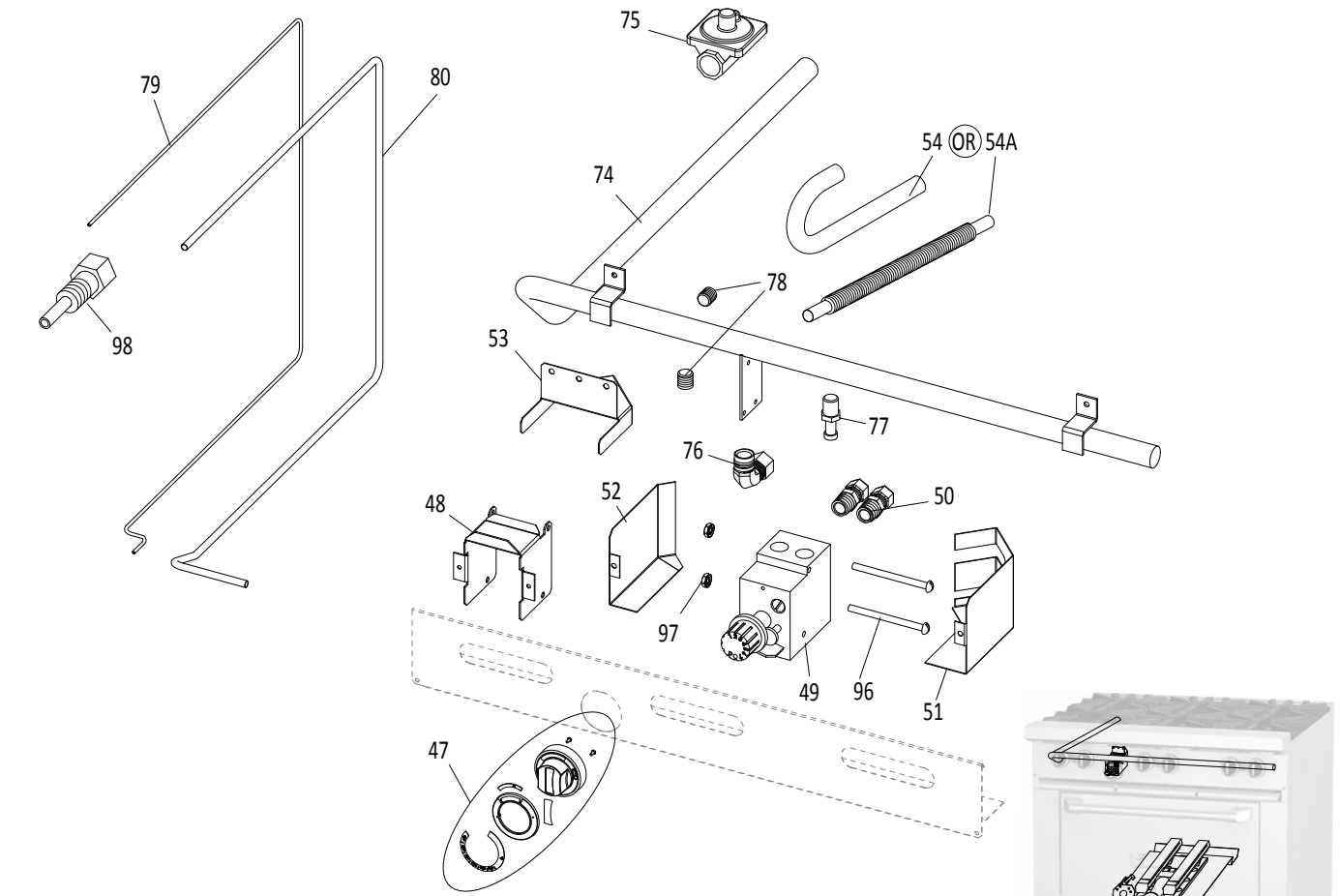
**RECOMMENDED STOCK PARTS**

**U.S. RANGE PARTS IDENTIFICATION**  
**U Series Gas Restaurant Ranges**  
**24" SINGLE SPACE SAVER OVEN / CABINET DOOR COMPONENTS**

ITEM	PART#	DESCRIPTION	QTY	FROM	UP TO	CRITICAL
<b>LEGS &amp; CASTERS</b>						
200	4525074	6" Adjustable Leg, S/S	4			
201	4524104	6" Flanged Leg (Optional)	4			
202	4526324	6" Caster Package, non-adjustable (Optional) <b>Note:</b> Includes items 204, 205, 208, and installation instructions.	1			
203	4526323	6" Caster Package, adjustable (Optional) <b>Note:</b> Includes items 206, 207, 208, and installation instructions.	1			
204	4525595	6" Caster No Brake, 3/4-10 mount, non-adjustable	2			
205	4525596	6" Caster With Brake, 3/4-10 mount, non-adjustable	2			
206	4525597	6" Caster No Brake, 3/4-10 mount, adjustable	2			
207	4525598	6" Caster With Brake, 3/4-10 mount, adjustable	2			
208	4526157	Caster Washer <b>Note:</b> Used FROM serial#: 0901100100838 / date: 20-Jan-09.	4	20-JAN-09		
209	4526325	Caster Washer Kit	1			
<b>DOOR COMPONENTS - 24" STORAGE BASE MODEL</b>						
300	4524305	Door Panel Outer - 24", Standard Base	1			
301	4524306	Door Panel Inner - 24", Standard Base	1			
302	F557	5/32" Rivet - S/S (Grip Range .039" - .118")	12			
303	078056-5	Flange Bearing/Bushing	2			
304	2530900	0.375" Hole Plug	2			
305	3031900	Storage Door Handle	1			
306	4524288	Door Hinge Assembly - Right	1			
307	4524287	Door Hinge Assembly - Left	1			
308	4524308	Door Stop - 15"/24" Door, Standard Base	1			
309	F60	Screw-10AX 5/8INTLock Quad Pan	8			
310	078174-1	Magnetic Door Catch	1			

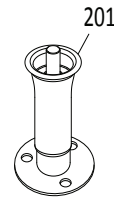
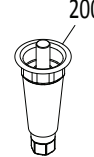
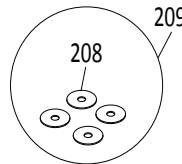
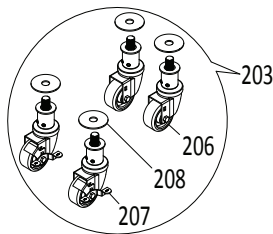
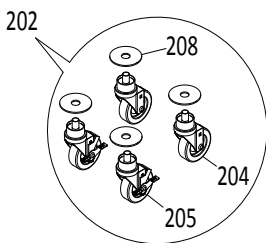
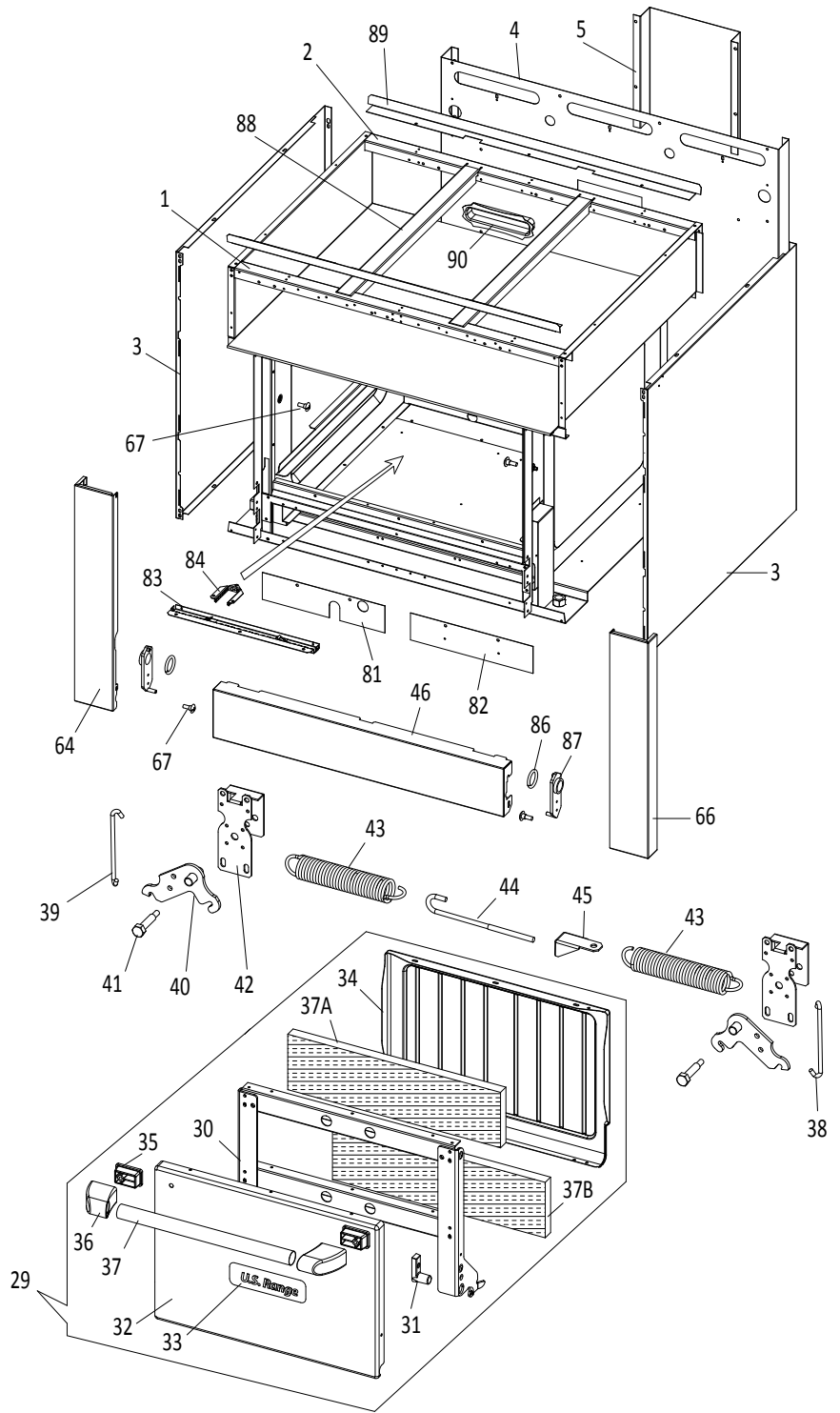
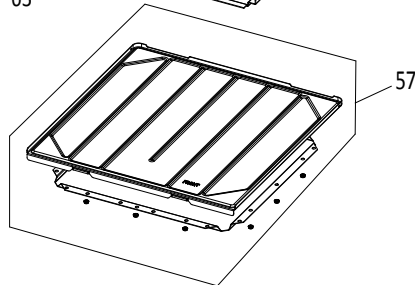
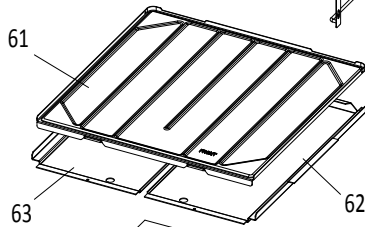
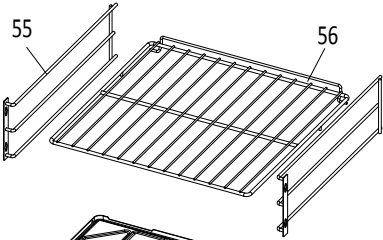
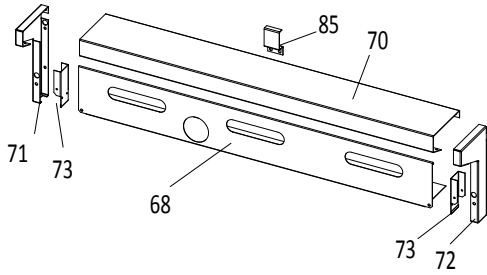
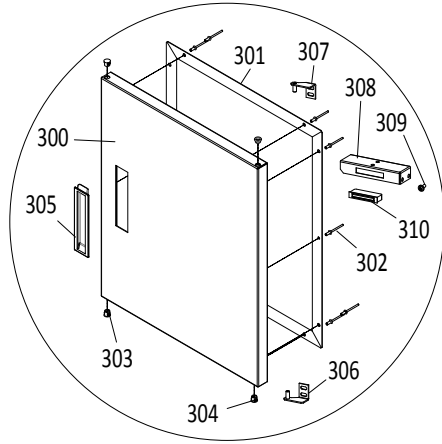
\* NOT ILLUSTRATED

**RECOMMENDED STOCK PARTS**





36" SINGLE STANDARD OVEN / CABINET DOOR (2 OF 2)



**U.S. RANGE PARTS IDENTIFICATION  
U Series Gas Restaurant Ranges**

**36" SINGLE STANDARD OVEN / CABINET DOOR COMPONENTS**

ITEM	PART #	DESCRIPTION	QTY	FROM	UP TO	CRITICAL
1	4523068	24" Main Channel - Front	2			
2	4525530	24" Main Channel - Rear	2			
3	4522764	Body Side Lt/Rt	2			
4	4522761	Main Back 48" - Standard Oven & Storage	1			
5	4522762	Flue Riser Standard Oven	2			
6		Right Pilot Assembly and Right Pilot Bracket <b>Note:</b> Used <b>UP TO</b> (date) Jan 29, 2008 / (serial#) 0801100101981. When servicing, <b>IMPORTANT</b> to <b>replace</b> the pilot assembly and bracket <b>with</b> Range Oven <b>Pilot Kits</b> (see item 7).			29-JAN-08	
7	<b>4524826</b>	<b>Range Oven Pilot Kit Natural Gas, on L/H Side of Burner (for the oven on the Left)</b>	1	30-JAN-08		C
	<b>4524828</b>	<b>Range Oven Pilot Kit Propane Gas, on L/H Side of Burner (for the oven on the Left)</b>	1	30-JAN-08		C
9	<b>2200700</b>	<b>Pilot R/H #0.145.010, for Oven on the Left (Mounted on L/H Side of Burner)</b>	1			C
11	4525285	Oven Pilot Shield L/H, for 2200700 Pilot R/H <b>Note:</b> Used <b>FROM</b> (serial#) 0806100100492 / (model) G36-6R-0022.	1	12-JUN-08		
13	F440	#10-32 x 1/4" Screw				
14	4524677	Pilot Bracket <b>Note:</b> Used <b>FROM</b> (serial#) 0801100101981.	1	30-JAN-08		
15	<b>2200706</b>	<b>Thermocouple Retaining Nut</b>	1			C
16	<b>2200704</b>	<b>3/16" Compression Nut - Oven Pilot</b>	1			C
17	<b>2200705</b>	<b>3/16" Ferrule - Oven Pilot</b>	1			C
18	<b>4523506</b>	<b>Thermocouple Oven 60"</b>	1			C
19	4522763	Oven Burner Rest	1			
20	2512200	Burner Hold Down Bracket	1			
21	<b>2200702</b>	<b>Pilot Orifice #32 Natural Gas</b>	1			C
	<b>2200703</b>	<b>Pilot Orifice #23 Propane</b>	1			C
22	<b>1415530F</b>	<b>Oven Orifice Fitting w/#30 Hood (Natural Gas)</b>	1			C
	<b>1415550F</b>	<b>Oven Orifice Fitting w/#50 Hood (Propane)</b>	1			C
23	<b>M9-30</b>	<b>Large Orifice #30 Natural Gas</b>	1			C
	<b>M9-50</b>	<b>Large Orifice #50 Propane</b>	1			C
24	<b>14155XX</b>	<b>Oven Orifice Fitting (without orifice)</b>	1			C
25	4522781	Orifice Bracket Oven	1			
26	4525464	H - Burner with Air Shutter Assembly (Partially Ported) <b>Note:</b> Assembly includes a cast iron H-burner (p/n 1014901) and an air shutter (item 27).	1			
27	2512100	Oven Burner Air Shutter (included in burner asm item# 26)	1			
29	4525052	US Range 26W Oven Door Assembly	1			
30	4522769	Door Frame Assembly 26W	1			
31	1082500	Oven Door Trunion	2			
32	4522737	Oven Door Panel 26W (with holes)	1			
33	4529726	US Range Logo - Large	1			
34	4522377	Oven Door Liner 26W	1			
35	4522407	Door Handle End Insulator	2			
36A	4522404	Door Handle End	2	9-SEP-09		

\* NOT ILLUSTRATED

**RECOMMENDED STOCK PARTS**



**U.S. RANGE PARTS IDENTIFICATION  
U Series Gas Restaurant Ranges**

**36" SINGLE STANDARD OVEN / CABINET DOOR COMPONENTS**

ITEM	PART #	DESCRIPTION	QTY	FROM	UP TO	CRITICAL
36B*	4525584	Door Handle Kit 26W US Range Oven <b>Note:</b> Use this Kit for units manufactured from 21-NOV-2008 to 8-SEP-2009. Kit includes items 35, 36A, 37, and fasteners.	1			
36C*	4524912	Door Handle End, Aluminum, US Range <b>Note:</b> This item is <b>No Longer Available</b> . Use Handle Kit 4525584 (item 36B) for an unit manufactured from (dates) 21-NOV-2008 to 8-SEP-2009 (serial#) 0811100101067 (model) U36-6C-0004.		<b>NLA</b>	<b>NLA</b>	
37	4522644	Door Handle, 26W	1			
37A	4522789	Insulation, Door Filler 26W	2			
37B	4522788	Insulation, Door Brace 26W	2			
38	1082802	Hinge Link Rt	1			C
39	1082803	Hinge Link Lt	1			C
40	4522772	Bell Crank Assembly	2			
41	F299	Bolt 1/4-20 x 1/2" Bell Crank	2			
42	4522818	Bell Crank Support Bracket	2			
43	1005800	Oven Door Spring	2			C
44	4523497	6" Long J-Bolt (F598)	1			C
45	4526109	Door Spring Adjustment Bracket	1			
46	4522770	Kick Panel 26W	1			
47	<b>4524668</b>	<b>Knob Assembly - Oven SIT Deg F</b>	1			C
	<b>4524669</b>	<b>Knob Assembly - Oven SIT Deg C</b>	1			C
48	4523081	SIT Shield Mount	1			
49	<b>CK4603990</b>	<b>SIT Oven Control 1.0MM Min Rate Screw Service Kit (Natural Gas) (From S/N 1903100101182)</b>	1			C
	<b>CK4531688</b>	<b>SIT CONTROL SUNFIRE PRO WITH 0.8MM BYPASS (Propane) (From S/N 1903100101177)</b>	1			
50	1095499	Straight Connector 7/16"	2			
51	4523079	SIT Shield Right	1			
52	4523080	SIT Shield Left	1			
53	4523499	SIT Shield Top	1			
54	4523145	.437 (7/16) Tube - SIT to Manifold	1			
54A	4520720	7/16" Flexible Tubing Sit To Manifold <b>NOTE:</b> Applicable Only for Models with 12"Griddles Mounted on the L/H Side of the Range.	1			
55	4522411	Rack Guide 26D	2			
56	4522408	Oven Rack 26W x 26D	1			
57	4525164	Oven Hearth Assembly 26W x 26D <b>Note:</b> Used <b>UP TO</b> 30-Apr-08. Assembly includes an oven hearth with studs (p/n 4523325), an oven hearth baffle (p/n 4523029), and pal nuts (p/n F95). Components listed for reference only; not sold separately.	1		30-APR-08	
61	4524992	Oven Hearth 26W x 26D (Enamelled) <b>Note:</b> Used <b>FROM</b> 30-Apr-2008 / (serial#) 0804100101886.	1	30-APR-08		
62	4604121	Baffle Right 26W	1			
63	4604120	Baffle Left 26W	1			
64	4522765	Corner Column Left	1			
66	4522766	Corner Column Right	1			

\* NOT ILLUSTRATED

**RECOMMENDED STOCK PARTS**

**U.S. RANGE PARTS IDENTIFICATION  
U Series Gas Restaurant Ranges**

**36" SINGLE STANDARD OVEN / CABINET DOOR COMPONENTS**

ITEM	PART #	DESCRIPTION	QTY	FROM	UP TO	CRITICAL
67	F298N	10-24 x 3/8" Shoulder Bolt Truss Head, Nickel Plated	4			
68	4523088	36" Valve Panel - All (6) Open Top Burners	1			
	4523744	36" Valve Panel - 12" Griddle (Thermostat) - R/H	1			
		36" Valve Panel - 12" Griddle (Standard) - R/H <b>Note:</b> Switched from 4523088 to 4523744 (date: 02-Dec-09, serial#: 0911100101162, model: G60-6G24RR-0002)	1	02-DEC-09		
	4523745	36" Valve Panel - 12" Griddle (Thermostat) - L/H	1			
		36" Valve Panel - 12" Griddle (Standard) - L/H <b>Note:</b> Switched from 4523088 to 4523745 (date: 02-Dec-09, serial#: 0911100101162, model: G60-6G24RR-0002)	1	02-DEC-09		
	4523613	36" Valve Panel - 24" Griddle (Thermostat) - R/H	1			
		36" Valve Panel - 24" Griddle (Standard) - R/H <b>Note:</b> Switched from 4523609 to 4523613 (date: 02-Dec-09, serial#: 0911100101162, model: G60-6G24RR-0002)	1	02-DEC-09		
4523615	36" Valve Panel - 24" Griddle (Thermostat) - L/H	1				
	36" Valve Panel - 24" Griddle (Standard) - L/H <b>Note:</b> Switched from 4523611 to 4523615 (date: 02-Dec-09, serial#: 0911100101162, model: G60-6G24RR-0002)	1	02-DEC-09			
4524094	36" Valve Panel - 36" Griddle (Thermostat)	1				
	36" Valve Panel - 36" Griddle (Standard) <b>Note:</b> Switched from 4523609 to 4524094 (date: 02-Dec-09, serial#: 0911100101162, model: G60-6G24RR-0002)	1	02-DEC-09			
70	4523072	36" Plate Rail	1			
71	4523073	Valve Panel End Cap Left	1			
72	4523074	Valve Panel End Cap Right	1			
73	4526110	Burner Box Filler	2			
74	4522562	Manifold Assembly 36" (without Fittings)	1			C
75	<b>2127502</b>	<b>Regulator - Natural Gas 4.5" WC</b>	1			C
	<b>2127500</b>	<b>Regulator - Propane Gas 10" WC</b>	1			C
76	G02352-1	90 Deg Elbow 3/8" Pipe to 7/16" Tube	1			
77	G02251-1	Pressure Test Spigot	1			
78	2203400	1/8" NPT Pipe Plug (Griddle/Hot tops only) Qty varies with top section configuration.	MAX 2			
79	4523142	.187 (3/16) Dia Tubing SIT Valve to Oven Pilot	1			
80	4523143	.437 (7/16) Dia Tubing SIT Valve to Oven Orifice Fitting	1			
81	4522774	Air Shield Pilot 26W	1			
82	4522773	Air Shield Solid 26W	1			
83	4523031	Capillary Guard 26W	1			
84	4523030	Bulb Guard	1			
85	4523194	Rail Support Bracket	1			
86	1082700	Harness Ring	2			
87	4522400	Trunion Bracket	2			
88	4523087	Grate Support Rail (Qty varies with top section configuration)	MAX 2			
89	4523069	36" Drip Angle	4			
90	1005110	Flue Collar	1			
96	F16	SIT to Manifold Mounting Bolts (#10-24 Round Head x 2-1/2" Long)	2			
97	F312	SIT to Manifold Mounting Lock Nut (#10-24, K-Lock Nut)	2			

\* NOT ILLUSTRATED

**RECOMMENDED STOCK PARTS**

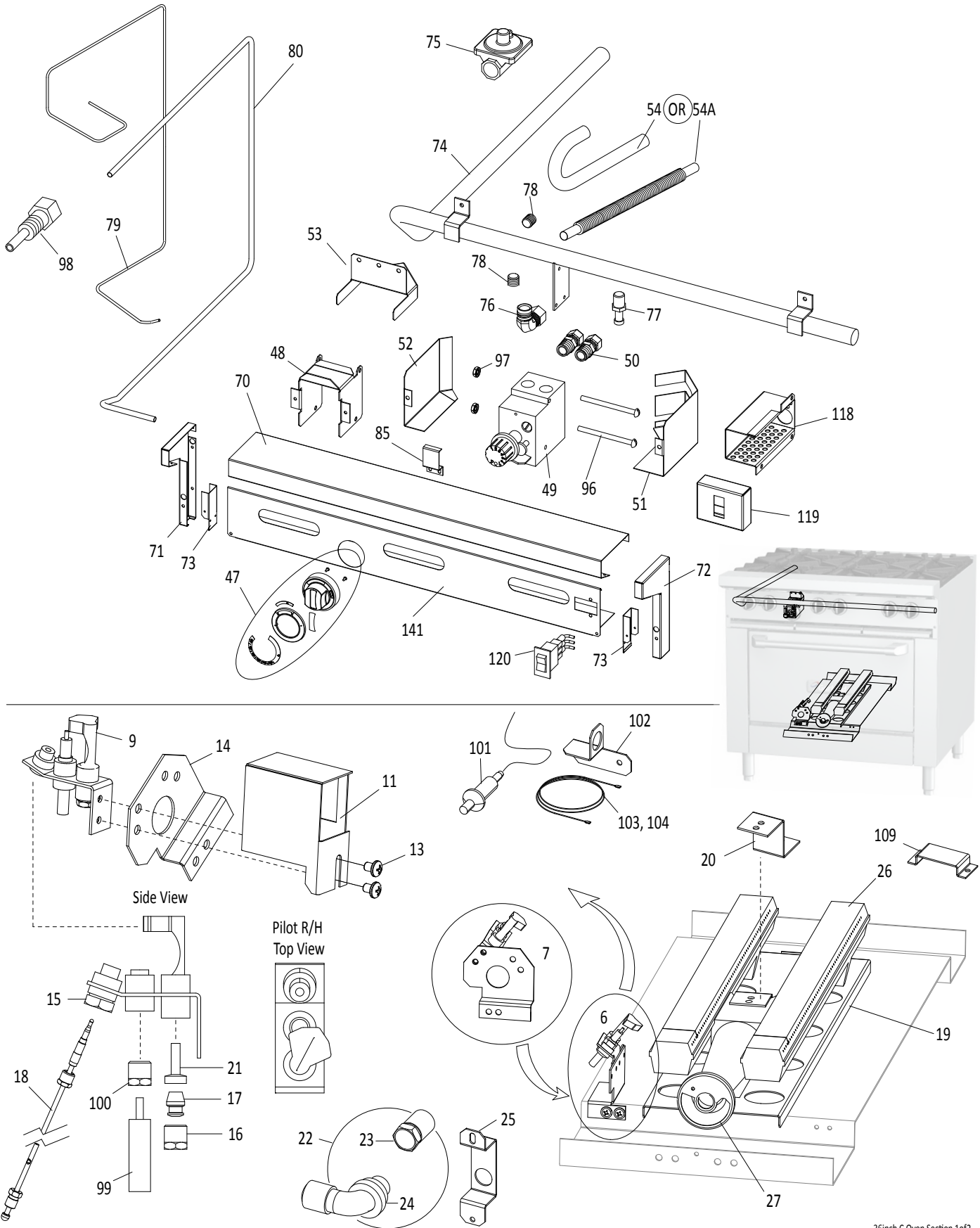
**U.S. RANGE PARTS IDENTIFICATION  
U Series Gas Restaurant Ranges**

**36" SINGLE STANDARD OVEN / CABINET DOOR COMPONENTS**

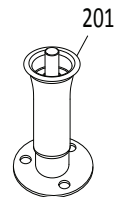
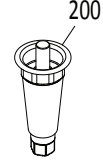
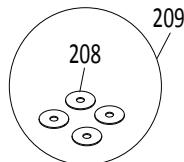
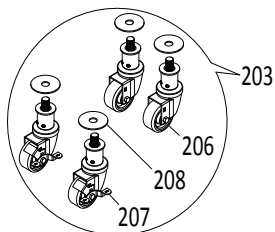
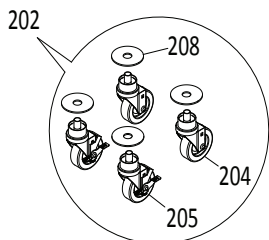
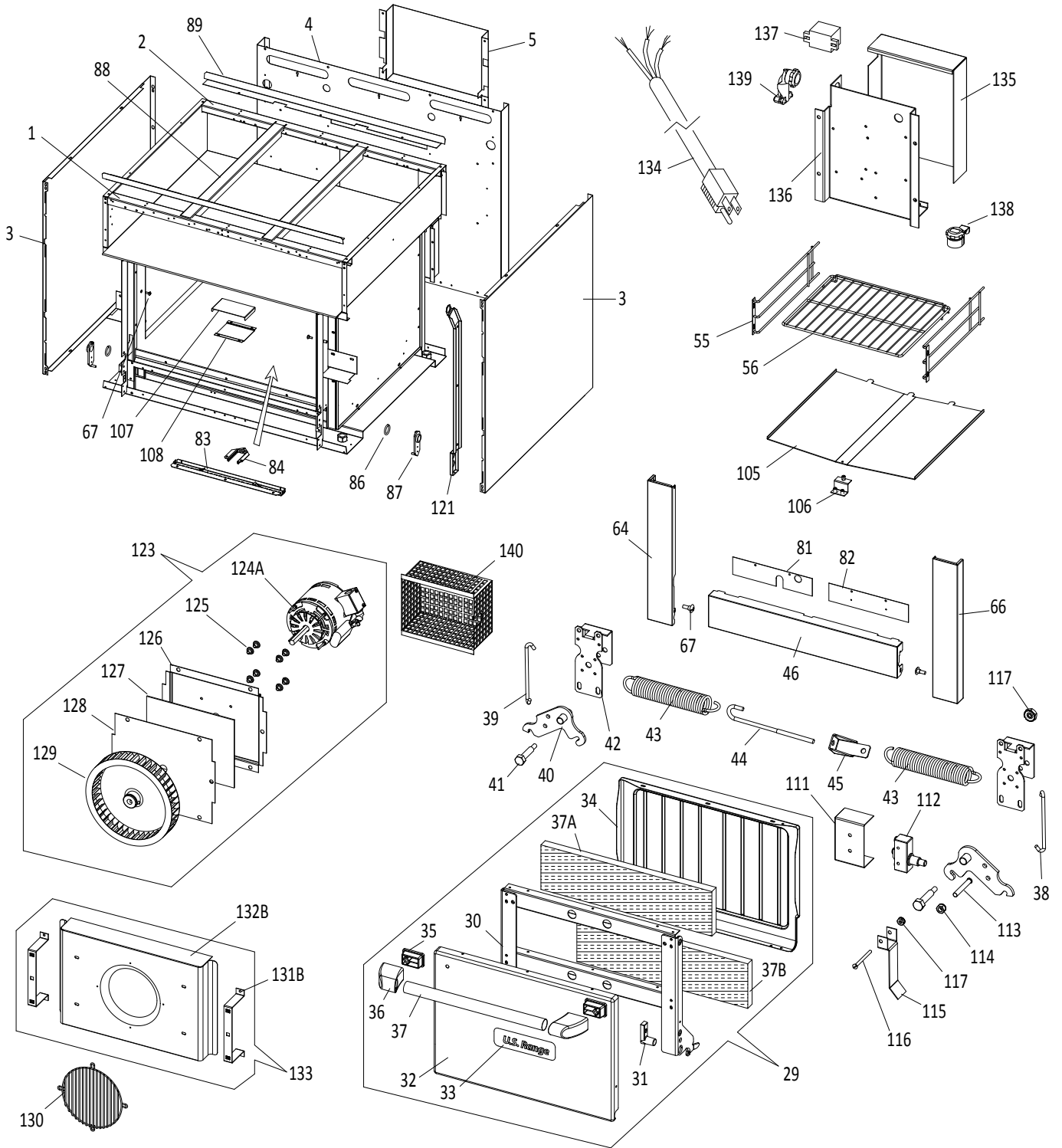
ITEM	PART #	DESCRIPTION	QTY	FROM	UP TO	CRITICAL
98	4527220	SIT Pilot Tube Connection	1			
<b>LEGS &amp; CASTERS</b>						
200	4525074	6" Adjustable Leg, S/S	4			
201	4524104	6" Flanged Leg (Optional)	4			
202	4526324	6" Caster Package, non-adjustable (Optional) <b>Note:</b> Includes items 204, 205, 208, and installation instructions.	1			
203	4526323	6" Caster Package, adjustable (Optional) <b>Note:</b> Includes items 206, 207, 208, and installation instructions.	1			
204	4525595	6" Caster No Brake, 3/4-10 mount, non-adjustable	2			
205	4525596	6" Caster With Brake, 3/4-10 mount, non-adjustable	2			
206	4525597	6" Caster No Brake, 3/4-10 mount, adjustable	2			
207	4525598	6" Caster With Brake, 3/4-10 mount, adjustable	2			
208	4526157	Caster Washer <b>Note:</b> Used <b>FROM</b> serial#: 0901100100838 / date: 20-Jan-09.	4	20-JAN-09		
209	4526325	Caster Washer Kit	1			
<b>CABINET DOOR COMPONENTS - 36" STORAGE BASE MODEL</b>						
300	4524282	Door Panel Outer - 36" Storage Base	1			
301	4524283	Door Panel Inner - 36" Storage Base	1			
302	F557	5/32" Rivet - S/S (Grip Range .039" - .118")	10			
303	078056-5	Flange Bearing/Bushing	2			
304	2530900	0.375" Hole Plug	2			
305	3031900	Storage Door Handle	1			
306	4524288	Door Hinge Assembly - Right	1			
307	4524287	Door Hinge Assembly - Left	1			
308	4524284	Door Stop - 36" Door, Standard Base	1			
309	F60	Screw-10AX 5/8INTLock Quad Pan	8			
310	078174-1	Magnetic Door Catch	1			

\* NOT ILLUSTRATED

**RECOMMENDED STOCK PARTS**



**36" SINGLE CONVECTION OVEN COMPONENTS (2 OF 2)**



36inch C Oven Section 2of2

**U.S.RANGE PARTS IDENTIFICATION  
U Series Gas Restaurant Ranges**

**36" SINGLE CONVECTION OVEN COMPONENTS**

ITEM	PART #	DESCRIPTION	QTY	FROM	UP TO	CRITICAL
1	4523068	24" Main Channel - Front	1			
2	4525530	24" Main Channel - Rear	1			
3	4522764	Body Side Lt/Rt	2			
4	4522931	Main Back Convection Oven	1			
5	4522930	Flue Riser Convection Oven	1			
6		Right Pilot Assembly and Right Pilot Bracket <b>Note:</b> Used <b>UP TO</b> (date) Jan 29, 2008 / (serial#) 0801100101981. When servicing, <b>IMPORTANT</b> to <b>replace the</b> pilot assemblie and bracket <b>with</b> Range Oven <b>Pilot Kits</b> (see item 7).			29-JAN-08	
7	<b>4524826</b>	<b>Range Oven Pilot Kit Natural Gas, on L/H Side of Burner (for the oven on the Left)</b>	1	30-JAN-08		C
	<b>4524828</b>	<b>Range Oven Pilot Kit Propane Gas, on L/H Side of Burner (for the oven on the Left)</b>	1	30-JAN-08		C
9	<b>2200700</b>	<b>Pilot R/H #0.145.010, for Oven on the Left (Mounted on L/H Side of Burner)</b>	1			C
11	4525285	Oven Pilot Shield L/H, for 2200700 Pilot R/H <b>Note:</b> Used <b>FROM</b> (serial#) 0806100100492 / (model) G36-6R-0022.	1	12-JUN-08		
13	F440	#10-32 x 1/4" Screw				
14	4524677	Pilot Bracket <b>Note:</b> Used <b>FROM</b> (serial#) 0801100101981.	1	30-JAN-08		
15	<b>2200706</b>	<b>Thermocouple Retaining Nut</b>	1			C
16	<b>2200704</b>	<b>3/16" Compression Nut - Oven Pilot</b>	1			C
17	<b>2200705</b>	<b>3/16" Ferrule - Oven Pilot</b>	1			C
18	<b>4523506</b>	<b>Thermocouple Oven 60"</b>	1			C
19	4522763	Oven Burner Rest	1			
20	2512200	Burner Hold Down Bracket	1			
21	<b>2200702</b>	<b>Pilot Orifice #32 Natural Gas</b>	1			C
	<b>2200703</b>	<b>Pilot Orifice #23 Propane</b>	1			C
	<b>2200709</b>	<b>Pilot Orifice #40 Manufactured Gas</b>	1			C
22	<b>1415530F</b>	<b>Oven Orifice Fitting w/#30 Hood (Natural Gas)</b>	1			C
	<b>1415550F</b>	<b>Oven Orifice Fitting w/#50 Hood (Propane)</b>	1			C
23	<b>M9-30</b>	<b>Large Orifice #30 Natural Gas</b>	1			C
	<b>M9-50</b>	<b>Large Orifice #50 Propane</b>	1			C
24	<b>14155XX</b>	<b>Oven Orifice Fitting (without orifice)</b>	1			C
25	4522781	Orifice Bracket Oven	1			
26	4525464	H - Burner with Air Shutter Assembly (Partially Ported) <b>Note:</b> Assembly includes a cast iron H-burner (p/n 1014901) and an air shutter (item 27).	1			
27	2512100	Oven Burner Air Shutter (included in burner asm item# 26)	1			
29	4525052	US Range 26W Oven Door Assembly	1			
30	4522769	Door Frame Assembly 26W	1			
31	1082500	Oven Door Trunion	2			
32	4522737	Oven Door Panel 26W (with holes)	1			
33	4529726	US Range Logo - Large	1			
34	4522377	Oven Door Liner 26W	1			
35	4522407	Door Handle End Insulator	2			
36A	4522404	Door Handle End	2	9-SEP-09		
36B*	4525584	Door Handle Kit 26W US Range Oven <b>Note:</b> Use this Kit for units manufactured from 21-NOV-2008 to 8-SEP-2009. Kit includes items 35, 36A, 37, and fasteners.	1			

\* NOT ILLUSTRATED

**RECOMMENDED STOCK PARTS**



## U.S.RANGE PARTS IDENTIFICATION

### U Series Gas Restaurant Ranges

#### 36" SINGLE CONVECTION OVEN COMPONENTS

ITEM	PART #	DESCRIPTION	QTY	FROM	UP TO	CRITICAL
36C*	4524912	Door Handle End, Aluminum, US Range <b>Note:</b> This item is <b>No Longer Available</b> . Use Handle Kit 4525584 (item 36B) for an unit manufactured from (dates) 21-NOV-2008 to 8-SEP-2009 (serial#) 0811100101067 (model) U36-6C-0004.		NLA	NLA	
37	4522644	Door Handle 26W	1			
37A	4522789	Insulation, Door Filler 26W	2			
37B	4522788	Insulation, Door Brace 26W	2			
38	1082802	Hinge Link Rt	1			C
39	1082803	Hinge Link Lt	1			C
40	4522772	Bell Crank Assembly	2			
41	F299	Bolt 1/4-20 x 1/2" Bell Crank	2			
42	4522818	Bell Crank Support Bracket	2			
43	1005800	Oven Door Spring	2			C
44	4523497	6" Long J-Bolt (F598)	1			C
45	4526109	Door Spring Adjustment Bracket	1			
46	4522770	Kick Panel 26W	1			
47	4524668	<b>Knob Assembly - Oven SIT Deg F</b>	1			C
	4524669	<b>Knob Assembly - Oven SIT Deg C</b>	1			C
48	4523081	SIT Shield Mount	1			
49	<b>CK4603990</b>	<b>SIT Oven Control 1.0MM Min Rate Screw Service Kit (Natural Gas) (From S/N 1903100101182)</b>	1			C
	<b>CK4531688</b>	<b>SIT CONTROL SUNFIRE PRO WITH 0.8MM BYPASS (Propane) (From S/N 1903100101177)</b>	1			C
50	1095499	Straight Connector 7/16"	2			
51	4523079	SIT Shield Right	1			
52	4523080	SIT Shield Left	1			
53	4523499	SIT Shield Top	1			
54	4523145	.437 (7/16) Tube - SIT to Manifold	1			
54A	4520720	7/16" Flexible Tubing S/S Sit To Manifold. <b>Only for</b> Models with 12"Griddles Mounted on the L/H Side of the Range.	1			
55	4522413	Rack Guide 26D	2			
56	4522409	Oven Rack 26W x 26D	1			
64	4522765	Corner Column Left	1			
66	4522766	Corner Column Right	1			
67	F298N	10-24 x 3/8" Shoulder Bolt Truss Head, Nickel Plated	4			
70	4523072	36" Plate Rail	1			
71	4523073	Valve Panel End Cap Left	1			
72	4523074	Valve Panel End Cap Right	1			
73	4526110	Burner Box Filler	2			
74	4522562	Manifold Assembly 36" (without Fittings)	1			C
75	<b>2127502</b>	<b>Regulator - Natural Gas 4.5" WC</b>	1			C
	<b>2127500</b>	<b>Regulator - Propane Gas 10" WC</b>	1			C
76	4529768	90 Deg Elbow 3/8" Pipe to 7/16" Tube	1			
77	G02251-1	Pressure Test Spigot	1			
78	2203400	1/8" NPT Pipe Plug (Qty varies with top section configuration)	MAX 2			
79	4529764	.187 (3/16) Dia Tubing SIT Valve to Oven Pilot	1			
80	4523143	.437 (7/16) Dia Tubing SIT Valve to Oven Orifice Fitting	1			
81	4522774	Air Shield Pilot 26W	1			
82	4522773	Air Shield Solid 26W	1			

\* NOT ILLUSTRATED

**RECOMMENDED STOCK PARTS**

## U.S.RANGE PARTS IDENTIFICATION

### U Series Gas Restaurant Ranges

#### 36" SINGLE CONVECTION OVEN COMPONENTS

ITEM	PART #	DESCRIPTION	QTY	FROM	UP TO	CRITICAL
83	4523031	Capillary Guard 26W	1			
84	4523030	Bulb Guard	1			
85	4523194	Rail Support Bracket	1			
86	1082700	Harness Ring	2			
87	4522400	Trunion Bracket	2			
88	4523087	Grate Support Rail	2			
89	4523069	36" Drip Angle	4			
96	F16	SIT to Manifold Mounting Bolts (#10-24 Round Head x 2-1/2" Long)	2			
97	F312	SIT to Manifold Mounting Lock Nut (#10-24, K-Lock Nut)	2			
98	4527220	SIT Pilot Tube Connection	1			
99	<b>2200708</b>	<b>Electrode #0.915.025</b>	1			C
100	<b>2200707</b>	<b>Nut Electrode #0.974.144</b>	1			C
101	<b>1309201</b>	<b>Piezo Igniter #1244-41</b>	1			C
102	4518193	Piezo Support Bracket	1			
103	CK2200211	12" High Tension Wire Leads	1			
104	G03883R	Thermoflex Insulating Sleeve (sold by the foot)	12"			
105	4522949	Fire Plate RC Oven	1		28-MAY-08	
	4524459	Fire Plate RC Oven Note: Used FROM serial# 0805100101613	1	29-MAY-08		
106	4522950	Fire Plate Support Bracket Assembly	1			
107	1412300	Vent Slide	1			
108	1412400	Vent Slide Housing	1			
109	4512234	Burner Support Track	1			
111	4522932	Door Switch Cover, Convection Oven	1			
112	1019600	Door Switch, Convection Oven	1			C
113	G01503-16	1/4-20 x 1-3/4" Long Weld Stud	1			
114	F86	1/4 - 20 K-Lock Nut	1			
115	4524808	Hinge - RC Door Switch	1			
116	F599	#6-32 x 1-1/2" Machine Screw	1			
117	F590	#6-32 K-Lock Nut	2			
118	4523222	Switch Box, Convection Oven	1			C
119	4524317	Extension Box - C, Convection Oven	1			
120	1358900	Switch (Power Switch ON/OFF/ON), Convection Oven	1			C
121	4524280	Wire Channel	1			
123	<b>4515043</b>	<b>RC Motor Assembly Kit 115V</b> <b>Note: Kit includes items 124A, 125 - 129.</b>	1			C
124A	<b>2485801</b>	<b>RC Motor 1/3 HP, 115V, 60Hz</b>	1			C
124B*	<b>2485800</b>	<b>RC Motor 1/3 HP, 208/240V, 50/60 Hz</b>	1			C
125	G01503-3	1/4 - 20 Weld Nut	8			
126	3013301	Motor Mount Pocket	1			
127	1669101	Motor Pocket Insulation Board	1			
128	3013401	Motor Mount Plate	1			
129	G02952-01P	Blower Wheel Assembly (Plated)	1			
130	2520100	Fan Protector Screen	1			
131A*	1361298	Bracket, Air Baffle Support <b>Note: A unit manufactured UP TO 23-Jan-09 requires Kit (item# 133).</b>	2		23-JAN-09	
131B	4526160	Air Baffle Support Bracket Assy with Care Nuts	2	24-JAN-09		

\* NOT ILLUSTRATED

#### **RECOMMENDED STOCK PARTS**



## U.S.RANGE PARTS IDENTIFICATION

### U Series Gas Restaurant Ranges

#### 36" SINGLE CONVECTION OVEN COMPONENTS

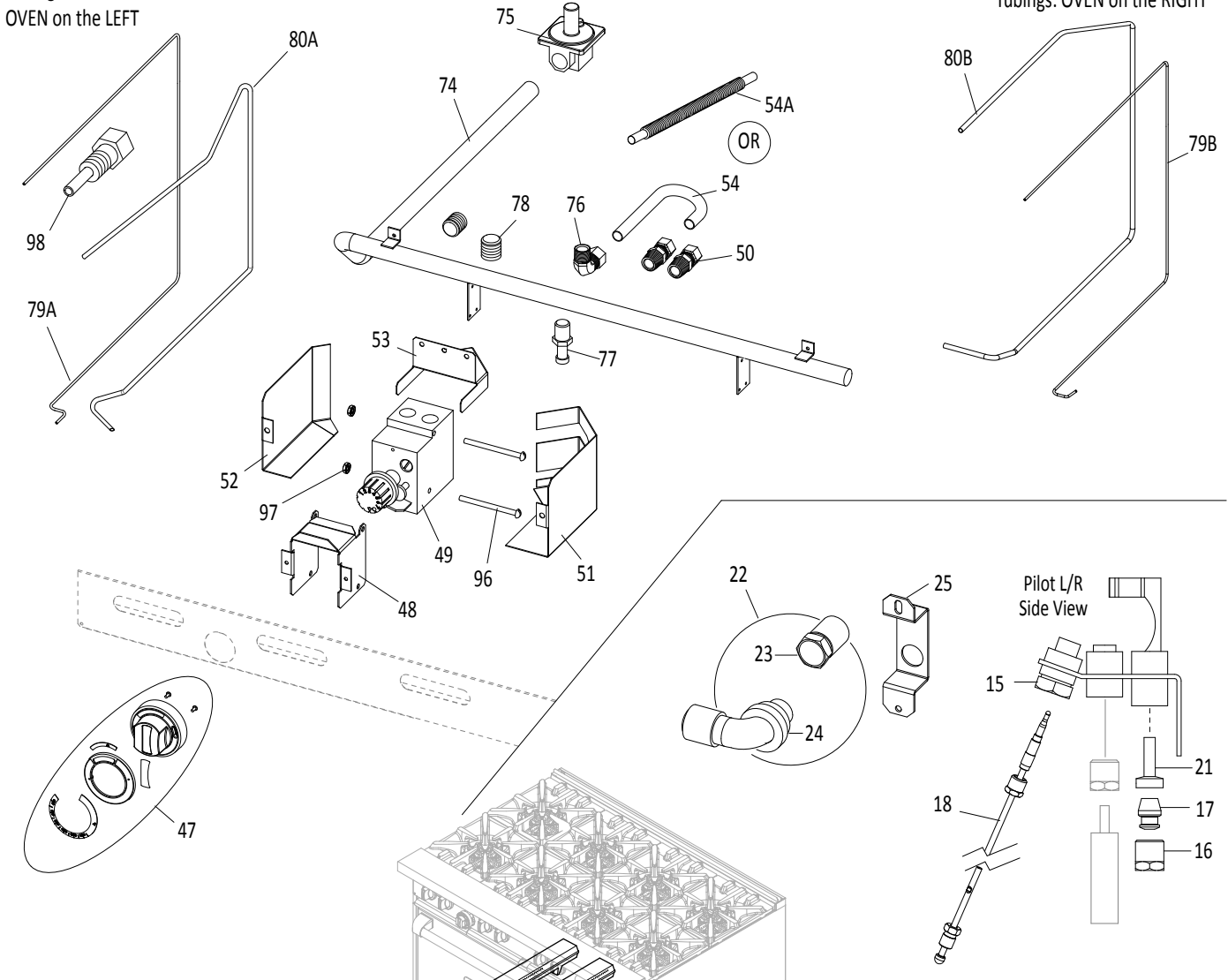
ITEM	PART #	DESCRIPTION	QTY	FROM	UP TO	CRITICAL
132A*	4525267	Air Baffle <b>Note:</b> A unit manufactured <b>UP TO</b> 23-Jan-09 requires Kit (item# 133).	1		23-JAN-09	
132B	4526161	Air Baffle	1	24-JAN-09		
133	4526164	Convection Oven Air Baffle Kit (includes Items 115A & 116A) <b>Note:</b> This Kit can be used on an unit manufactured before or after 23-Jan-09. Kit includes items 131B & 132B.	1			
134	4523398	Cord & Plug, 6 Ft, 15Amp, SJ00W	1			
135	4530070	Terminal Box	1			
136	4530071	Terminal Box Cover	1			
137	3050401	Miniature Terminal Block Assy 3-P (for 208V/240V unit)	1			
138	G01497-1	B/X Connector Straight 3/8"	1			
139	1028500	B/X Connector 90 Degrees 3/8"	1			
140	2519799	Motor Guard Assembly	1			
141	4523311	36" Valve Panel (Convection)- All (6) Open Top Burners	1			
	4523941	36" Valve Panel (Convection)- 12" Griddle (Thermostat) - R/H	1			
		36" Valve Panel (Convection)- 12" Griddle (Standard) - R/H <b>Note:</b> Switched from 4523311 to 4523941 (date: 02-Dec-09, serial#: 0911100101162, model: G60-6G24RR-0002)	1	02-DEC-09		
	4523942	36" Valve Panel (Convection)- 12" Griddle (Thermostat) - L/H	1			
		36" Valve Panel (Convection)- 12" Griddle (Standard) - L/H <b>Note:</b> Switched from 4523311 to 4523942 (date: 02-Dec-09, serial#: 0911100101162, model: G60-6G24RR-0002)	1	02-DEC-09		
	4523939	36" Valve Panel (Convection)- 24" Griddle (Thermostat) - R/H	1			
		36" Valve Panel (Convection)- 24" Griddle (Standard) - R/H <b>Note:</b> Switched from 4524041 to 4523939 (date: 02-Dec-09, serial#: 0911100101162, model: G60-6G24RR-0002)	1	02-DEC-09		
	4523940	36" Valve Panel (Convection)- 24" Griddle (Thermostat) - L/H	1			
		36" Valve Panel (Convection)- 24" Griddle (Standard) - L/H <b>Note:</b> Switched from 4523938 to 4523940 (date: 02-Dec-09, serial#: 0911100101162, model: G60-6G24RR-0002)	1	02-DEC-09		
	4524095	36" Valve Panel (Convection)- 36" Griddle (Thermostat)	1			
		36" Valve Panel (Convection)- 36" Griddle (Standard) <b>Note:</b> Switched from 4524041 to 4524095 (date: 02-Dec-09, serial#: 0911100101162, model: G60-6G24RR-0002)	1	02-DEC-09		
	<b>LEGS &amp; CASTERS</b>					
200	4525074	6" Adjustable Leg, S/S	4			
201	4524104	6" Flanged Leg (Optional)	4			
202	4526324	6" Caster Package, non-adjustable (Optional) <b>Note:</b> Includes items 204, 205, 208, and installation instructions.	1			
203	4526323	6" Caster Package, adjustable (Optional) <b>Note:</b> Includes items 206, 207, 208, and installation instructions.	1			
204	4522417	6" Caster No Brake, 3/4-10 mount, non-adjustable	2			
205	4522916	6" Caster With Brake, 3/4-10 mount, non-adjustable	2			
206	4525597	6" Caster No Brake, 3/4-10 mount, adjustable	2			
207	4525598	6" Caster With Brake, 3/4-10 mount, adjustable	2			
208	4526157	Caster Washer <b>Note:</b> Used FROM serial#: 0901100100838 / date: 20-Jan-09.	4	20-JAN-09		
209	4526325	Caster Washer Kit	1			

\* NOT ILLUSTRATED

#### **RECOMMENDED STOCK PARTS**

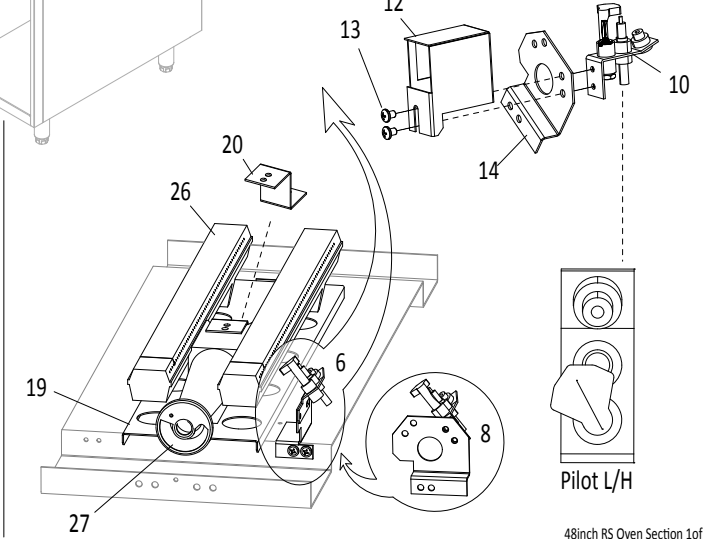
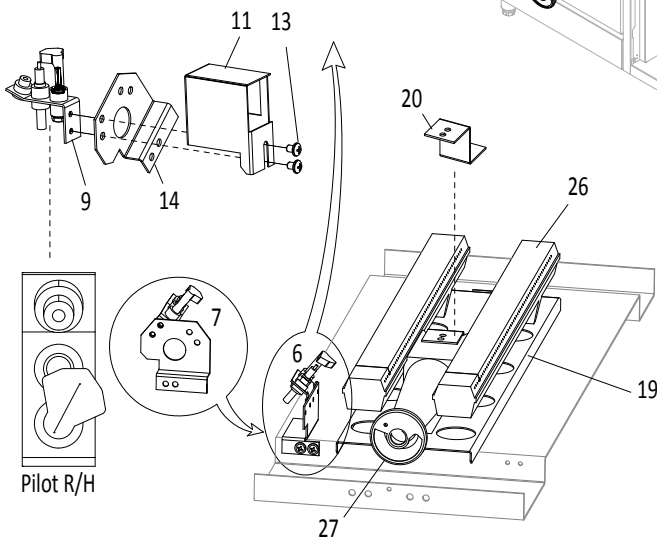
Tubings:  
OVEN on the LEFT

Tubings: OVEN on the RIGHT



IF OVEN on the LEFT

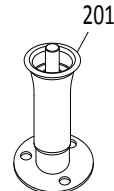
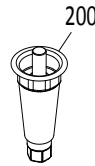
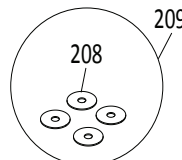
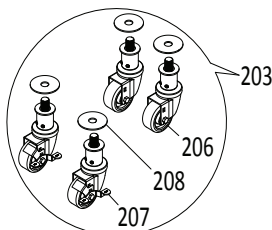
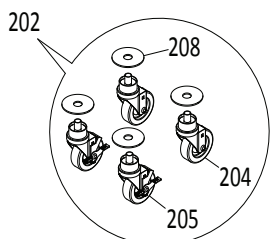
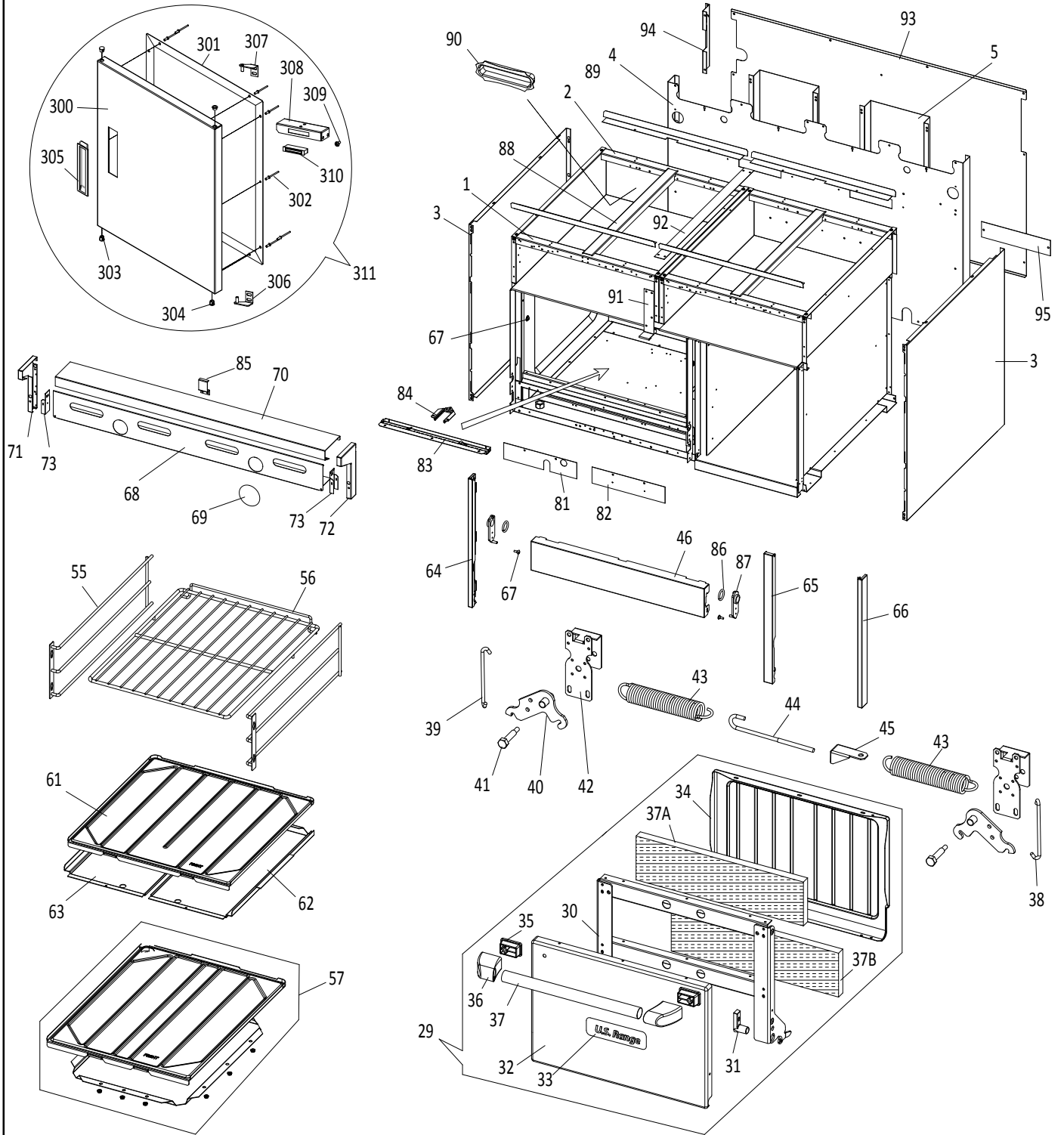
IF OVEN on the RIGHT



U Series Gas Restaurant Ranges



48" SINGLE STANDARD OVEN & CABINET DOOR (2 OF 2)



48inch RS Oven Section 2of2

## U.S. RANGE PARTS IDENTIFICATION

### U Series Gas Restaurant Ranges

#### 48" SINGLE STANDARD OVEN & CABINET DOOR COMPONENTS

ITEM	PART #	DESCRIPTION	QTY	FROM	UP TO	CRITICAL
1	4523184	24" Main Channel - Front	2			
2	4525529	24" Main Channel - Rear	2			
3	4522764	Body Side Lt/Rt	2			
4	4523136	Main Back 48" - Standard Oven & Storage	1			
5	4522762	Flue Riser Standard Oven	2			
6		Left/Right Pilot Assembly and Left/Right Pilot Bracket <b>Note:</b> Used <b>UP TO</b> (date) Jan 29, 2008 / (serial#) 0801100101981. When servicing, <b>IMPORTANT</b> to <b>replace</b> the pilot assemblie and bracket <b>with</b> Range Oven <b>Pilot Kits</b> (see item <b>7 / 8</b> ).			29-JAN-08	
7	<b>4524826</b>	<b>Range Oven Pilot Kit Natural Gas, on L/H Side of Burner (for the oven on the Left)</b>	1	30-JAN-08		C
	<b>4524828</b>	<b>Range Oven Pilot Kit Propane Gas, on L/H Side of Burner (for the oven on the Left)</b>	1	30-JAN-08		C
8	<b>4524825</b>	<b>Range Oven Pilot Kit Natural Gas, on R/H Side of Burner (for the oven on the Right)</b>	1	30-JAN-08		C
	<b>4524827</b>	<b>Range Oven Pilot Kit Propane Gas, on R/H Side of Burner (for the oven on the Right)</b>	1	30-JAN-08		C
9	<b>2200700</b>	<b>Pilot R/H #0.145.010, for Oven on the Left (Mounted on L/H Side of Burner)</b>	1			C
10	<b>2200701</b>	<b>Pilot L/H #0.145.007 for Oven on the Right (Mounted on R/H Side of Burner)</b>	1			C
11	4525285	Oven Pilot Shield L/H, for 2200700 Pilot R/H <b>Note:</b> Used <b>FROM</b> (serial#) 0806100100492 / (model) G36-6R-0022.	1			
12	4525300	G/U Oven Pilot Shield R/H for 2200701 Pilot L/H <b>Note:</b> Used <b>FROM</b> (serial# 0806100100492 / (model) G36-6R-0022	1			
13	F440	#10-32 x 1/4" Screw				
14	4524677	Pilot Bracket	1			
15	<b>2200706</b>	<b>Thermocouple Retaining Nut</b>	1			C
16	<b>2200704</b>	<b>3/16" Compression Nut - Oven Pilot</b>	1			C
17	<b>2200705</b>	<b>3/16" Ferrule - Oven Pilot</b>	1			C
18	<b>4523506</b>	<b>Thermocouple Oven 60"</b>	1			C
19	4522763	Oven Burner Rest	1			
20	2512200	Burner Hold Down Bracket	1			
21	<b>2200702</b>	<b>Pilot Orifice #32 Natural Gas</b>	1			C
	<b>2200703</b>	<b>Pilot Orifice #23 Propane</b>	1			C
22	<b>1415530F</b>	<b>Oven Orifice Fitting w/#30 Hood (Natural Gas)</b>	1			C
	<b>1415550F</b>	<b>Oven Orifice Fitting w/#50 Hood (Propane)</b>	1			C
23	<b>M9-30</b>	<b>Large Orifice #30 Natural Gas</b>	1			C
	<b>M9-50</b>	<b>Large Orifice #50 Propane</b>	1			C
24	<b>14155XX</b>	<b>Oven Orifice Fitting (without orifice)</b>	1			C
25	4522781	Orifice Bracket Oven	1			
26	4525464	H - Burner with Air Shutter Assembly (Partially Ported) <b>Note:</b> Assembly includes a cast iron H-burner (p/n 1014901) and an air shutter (item 27).	1			
27	2512100	Oven Burner Air Shutter (included in burner asm item# 26)	1			
29	4525052	USRange 26W Oven Door Assembly	1			
30	4522769	Door Frame Assembly 26W	1			
31	1082500	Oven Door Trunion	2			
32	4522737	Oven Door Panel 26W (with holes)	1			
33	4529726	USRange Logo - Large	1			

\* NOT ILLUSTRATED

#### RECOMMENDED STOCK PARTS

## U.S. RANGE PARTS IDENTIFICATION

### U Series Gas Restaurant Ranges

#### 48" SINGLE STANDARD OVEN & CABINET DOOR COMPONENTS

ITEM	PART #	DESCRIPTION	QTY	FROM	UP TO	CRITICAL
34	4522377	Oven Door Liner 26W	1			
35	4522407	Door Handle End Insulator	2			
36A	4522404	Door Handle End	2	9-SEP-09		
36B*	4525584	Door Handle Kit 26W US Range Oven <b>Note:</b> Use this Kit for units manufactured from 21-NOV-2008 to 8-SEP-2009. Kit includes items 35, 36A, 37, and fasteners.	1			
36C*	4524912	Door Handle End, Aluminum, US Range <b>Note:</b> This item is <b>No Longer Available</b> . Use Handle Kit 4525584 (item 36B) for an unit manufactured from (dates) 21-NOV-2008 to 8-SEP-2009 / (serial#) 0811100101067 / (model) U36-6C-0004.		NLA	NLA	
37	4522644	Door Handle, 26W	1			
37A	4522789	Insulation, Door Filler 26W	2			
37B	4522788	Insulation, Door Brace 26W	2			
38	1082802	Hinge Link Rt	1			C
39	1082803	Hinge Link Lt	1			C
40	4522772	Bell Crank Assembly	2			
41	F299	Bolt 1/4-20 x 1/2" Bell Crank	2			
42	4522818	Bell Crank Support Bracket	2			
43	1005800	Oven Door Spring	2			C
44	4523497	6" Long J-Bolt (F598)	1			C
45	4526109	Door Spring Adjustment Bracket	1			
46	4522770	Kick Panel 26W	1			
47	<b>4524668</b>	<b>Knob Assembly - Oven SIT Deg F</b>	1			C
	<b>4524669</b>	<b>Knob Assembly - Oven SIT Deg C</b>	1			C
48	4523081	SIT Shield Mount	1			
49	<b>CK4603990</b>	<b>SIT Oven Control 1.0MM Min Rate Screw Service Kit (Natural Gas) (From S/N 1903100101182)</b>	1			C
	<b>CK4531688</b>	<b>SIT CONTROL SUNFIRE PRO WITH 0.8MM BYPASS (Propane) (From S/N 1903100101177)</b>	1			C
50	1095499	Straight Connector 7/16"	2			
51	4523079	SIT Shield Right	1			
52	4523080	SIT Shield Left	1			
53	4523499	SIT Shield Top	1			
54	4523145	.437 (7/16) Tube - SIT to Manifold	1			
54A	4520720	7/16" Flexible Tubing Sit To Manifold <b>Only for Models with 12"Griddles Mounted on the L/H Side of the Range.</b>	1			
55	4522411	Rack Guide 26D	2			
56	4522408	Oven Rack 26W x 26D	1			
57	4525164	Oven Hearth Assembly 26W x 26D <b>Note:</b> Used <b>UP TO</b> 30-Apr-08. Assembly includes an oven hearth with studs (p/n 4523325), an oven hearth baffle (p/n 4523029), and pal nuts (p/n F95). Components listed for reference only; not sold separately.	1		30-APR-08	
61	4524992	Oven Hearth 26W x 26D (Enamelled) (Serial #0804100101886)	1	30-APR-08		
62	4604121	Baffle Right 26W	1			
63	4604120	Baffle Left 26W	1			
64	4522990	Corner Column Left	1			

\* NOT ILLUSTRATED

#### **RECOMMENDED STOCK PARTS**



**U.S. RANGE PARTS IDENTIFICATION  
U Series Gas Restaurant Ranges**

**48" SINGLE STANDARD OVEN & CABINET DOOR COMPONENTS**

ITEM	PART #	DESCRIPTION	QTY	FROM	UP TO	CRITICAL
65	4522993	Center Column	1			
66	4522991	Corner Column Right	1			
67	F298N	10-24 x 3/8" Shoulder Bolt Truss Head, Nickel Plated	4			
68	4523204	48" Valve Panel - All (8) Open Top Burners	1			
	4524393	48" Valve Panel - 12" Griddle (Thermostat) - R/H	1			
		48" Valve Panel - 12" Griddle (Standard) - R/H <b>Note:</b> Switched from 4523204 to 4524393 (date: 02-Dec-09, serial#: 0911100101162, model: G60-6G24RR-0002)	1	02-DEC-09		
	4524395	48" Valve Panel - 12" Griddle (Thermostat) - L/H	1			
		48" Valve Panel - 12" Griddle (Standard) - L/H <b>Note:</b> Switched from 4523204 to 4524395 (date: 02-Dec-09, serial#: 0911100101162, model: G60-6G24RR-0002)	1	02-DEC-09		
	4523721	48" Valve Panel - 24" Griddle (Thermostat) - R/H	1			
		48" Valve Panel - 24" Griddle (Standard) - R/H <b>Note:</b> Switched from 4523719 to 4523721 (date: 02-Dec-09, serial#: 0911100101162, model: G60-6G24RR-0002)	1	02-DEC-09		
	4523722	48" Valve Panel - 24" Griddle (Thermostat) - L/H	1			
		48" Valve Panel - 24" Griddle (Standard) - L/H <b>Note:</b> Switched from 4523720 to 4523722 (date: 02-Dec-09, serial#: 0911100101162, model: G60-6G24RR-0002)	1	02-DEC-09		
	4524397	48" Valve Panel - 36" Griddle (Thermostat) - R/H	1			
48" Valve Panel - 36" Griddle (Standard) - R/H <b>Note:</b> Switched from 4523719 to 4524397 (date: 02-Dec-09, serial#: 0911100101162, model: G60-6G24RR-0002)		1	02-DEC-09			
4524399	48" Valve Panel - 36" Griddle (Thermostat) - L/H	1				
	48" Valve Panel - 36" Griddle (Standard) - L/H <b>Note:</b> Switched from 4523720 to 4524399 (date: 02-Dec-09, serial#: 0911100101162, model: G60-6G24RR-0002)	1	02-DEC-09			
4524401	48" Valve Panel - 48" Griddle (Thermostat)	1				
	48" Valve Panel - 48" Griddle (Standard) <b>Note:</b> Switched from 4524391 to 4524401 (date: 02-Dec-09, serial#: 0911100101162, model: G60-6G24RR-0002)	1	02-DEC-09			
69	4523746	2.5" Nickel Plated Valve Panel Plug	1			
70	4523197	48" Plate Rail	1			
71	4523073	Valve Panel End Cap Left	1			
72	4523074	Valve Panel End Cap Right	1			
73	4526110	Burner Box Filler	2			
74	4522563	Manifold Assembly 48" (without Fittings)	1			C
75	<b>4522421</b>	<b>1" Regulator - Natural Gas 4.5" WC</b>	1			C
	<b>4522422</b>	<b>1" Regulator - Propane Gas 10" WC</b>	1			C
76	4529768	90 Deg Elbow 3/8" Pipe to 7/16" Tube	1			
77	G02251-1	Pressure Test Spigot	1			
78	2203400	1/8" NPT Pipe Plug (Griddle/Hot tops only) Qty varies with top section configuration.	MAX 2			
79A	4523142	.187 (3/16) Dia Tubing SIT Valve to Oven Pilot, for Oven on the Left	1			
79B	4523180	.187 (3/16) Dia Tubing SIT Valve to Oven Pilot, for Oven on the Right	1			
80A	4530485	.437 (7/16) Dia Tubing SIT Valve to Oven Orifice Fitting, for Oven on the Left	1			

\* NOT ILLUSTRATED

**RECOMMENDED STOCK PARTS**

**U.S. RANGE PARTS IDENTIFICATION  
U Series Gas Restaurant Ranges**

**48" SINGLE STANDARD OVEN & CABINET DOOR COMPONENTS**

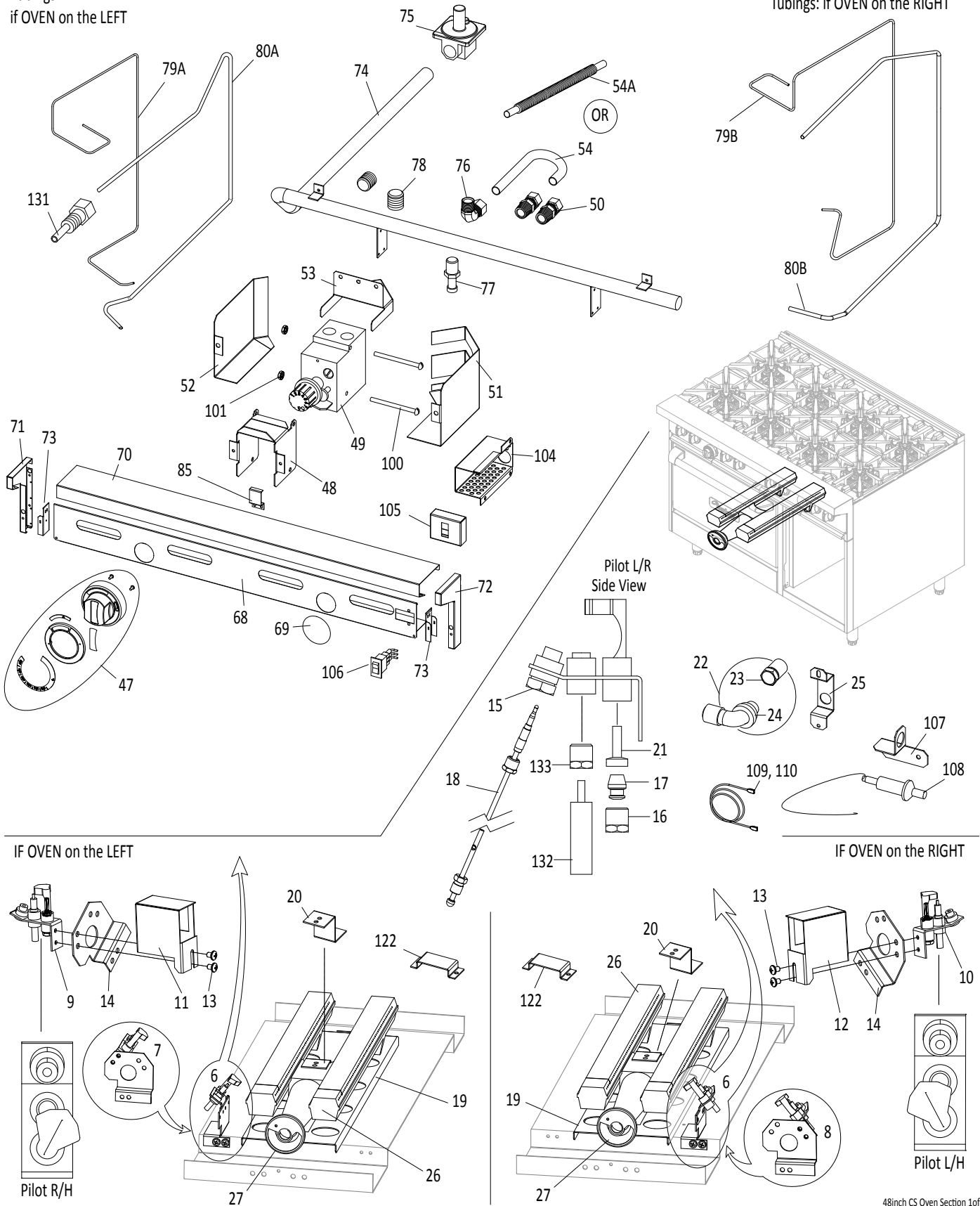
ITEM	PART #	DESCRIPTION	QTY	FROM	UP TO	CRITICAL
80B	4530483	.437 (7/16) Dia Tubing SIT Valve to Oven Orifice Fitting, for Oven on the Right	1			
81	4522774	Air Shield Pilot 26W	1			
82	4522773	Air Shield Solid 26W	1			
83	4523031	Capillary Guard 26W	1			
84	4523030	Bulb Guard	1			
85	4523194	Rail Support Bracket	1			
86	1082700	Harness Ring	2			
87	4522400	Trunion Bracket	2			
88	4523087	Grate Support Rail (Qty varies with top section configuration)	MAX 2			
89	4523186	24" Drip Angle	4			
90	1005110	Flue Collar	1			
91	4522996	Tie Strap Front	1			
92	4522995	Tie Strap Top	1			
93	4524634	Veneer Back S/S - 48" Standard Oven (Optional)	1			
94	4524632	Veneer Back Support - Standard Oven	1			
95	G01265-1-7	Storage Base - Flue/Oven Tube Cover	1			
96	F16	SIT to Manifold Mounting Bolts (#10-24 Round Head x 2-1/2" Long)	2			
97	F312	SIT to Manifold Mounting Lock Nut (#10-24, K-Lock Nut)	2			
98	4527220	SIT Pilot Tube Connection	1			
<b>LEGS &amp; CASTERS</b>						
200	4525074	6" Adjustable Leg, S/S	4			
201	4524104	6" Flanged Leg (Optional)	4			
202	4526324	6" Caster Package, non-adjustable (Optional) <b>Note:</b> Includes items 204, 205, 208, and installation instructions.	1			
203	4526323	6" Caster Package, adjustable (Optional) <b>Note:</b> Includes items 206, 207, 208, and installation instructions.	1			
204	4525595	6" Caster No Brake, 3/4-10 mount, non-adjustable	2			
205	4525596	6" Caster With Brake, 3/4-10 mount, non-adjustable	2			
206	4525597	6" Caster No Brake, 3/4-10 mount, adjustable	2			
207	4525598	6" Caster With Brake, 3/4-10 mount, adjustable	2			
208	4526157	Caster Washer <b>Note:</b> Used FROM serial#: 0901100100838 / date: 20-Jan-09.	4	20-JAN-09		
209	4526325	Caster Washer Kit	1			
<b>CABINET DOOR COMPONENTS - 15" STORAGE BASE MODEL</b>						
300	4524309	Door Panel Outer - 15" Storage Base	1			
301	4524310	Door Panel Inner - 15" Storage Base	1			
302	F557	5/32" Rivet - S/S (Grip Range .039" - .118")	12			
303	078056-5	Flange Bearing/Bushing	2			
304	2530900	0.375" Hole Plug	2			
305	3031900	Storage Door Handle	1			
306	4524288	Door Hinge Assembly - Right	1			
307	4524287	Door Hinge Assembly - Left	1			
308	4524308	Door Stop - 15"/24" Door, Standard Base	1			
309	F60	Screw-10AX 5/8INTLock Quad Pan	4			
310	078174-1	Magnetic Door Catch	1			
311	4529120	15" Complete Door Kit Assembly, G/U Series <b>Note:</b> Assembly includes items 300 - 310	1			

\* NOT ILLUSTRATED

**RECOMMENDED STOCK PARTS**

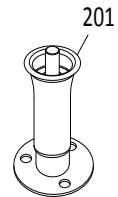
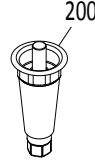
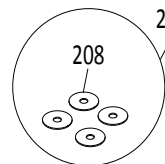
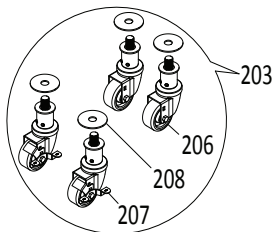
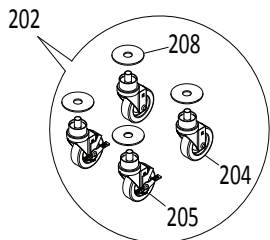
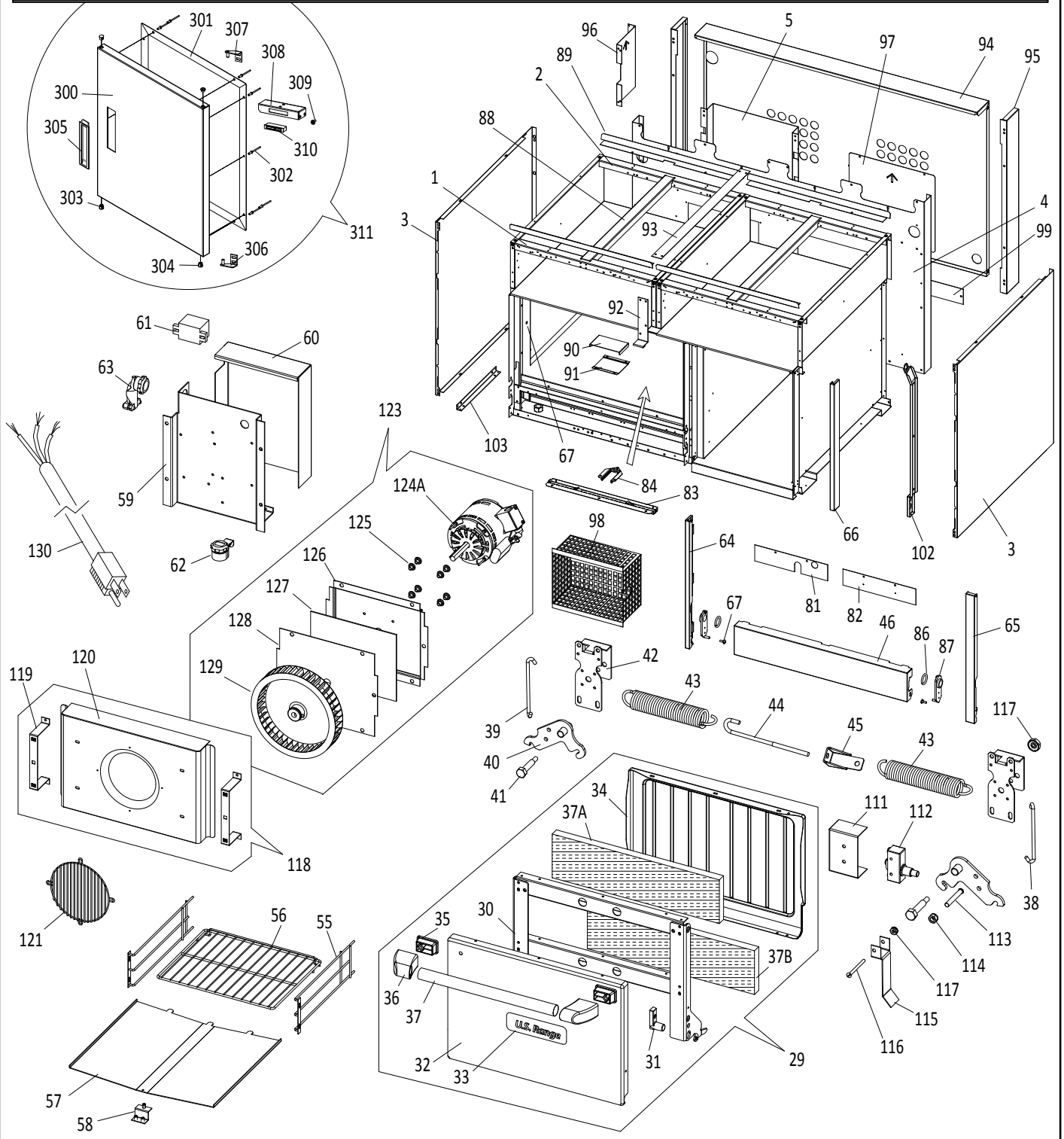
Tubings:  
if OVEN on the LEFT

Tubings: if OVEN on the RIGHT





48" SINGLE CONVECTION OVEN & CABINET DOOR (2 OF 2)



48inch CS Oven Section 2of2

**U.S. RANGE PARTS IDENTIFICATION**  
**U Series Gas Restaurant Ranges**  
**48" SINGLE CONVECTION OVEN & CABINET DOOR COMPONENTS**

ITEM	PART#	DESCRIPTION	QTY	FROM	UP TO	CRITICAL
1	4523184	24" Main Channel - Front	2			
2	4525529	24" Main Channel - Rear	2			
3	4522764	Body Side Lt/Rt	2			
4	4523137	Main Back 48" - RC Oven & Storage	1			
5	4522930	Flue Riser RC Oven	1			
6		Left/Right Pilot Assembly and Left/Right Pilot Bracket <b>Note:</b> Used <b>UP TO</b> (date) Jan 29, 2008 / (serial#) 0801100101981. When servicing, <b>IMPORTANT</b> to <b>replace</b> the pilot assemblie and bracket <b>with</b> Range Oven <b>Pilot Kits</b> (see item <b>7 / 8</b> ).			29-JAN-08	
7	<b>4524826</b>	<b>Range Oven Pilot Kit Natural Gas, on L/H Side of Burner (for the oven on the Left)</b>	1	30-JAN-08		C
	<b>4524828</b>	<b>Range Oven Pilot Kit Propane Gas, on L/H Side of Burner (for the oven on the Left)</b>	1	30-JAN-08		C
8	<b>4524825</b>	<b>Range Oven Pilot Kit Natural Gas, on R/H Side of Burner (for the oven on the Right)</b>	1	30-JAN-08		C
	<b>4524827</b>	<b>Range Oven Pilot Kit Propane Gas, on R/H Side of Burner (for the oven on the Right)</b>	1	30-JAN-08		C
9	<b>2200700</b>	<b>Pilot R/H #0.145.010, for Oven on the Left (Mounted on L/H Side of Burner)</b>	1			C
10	<b>2200701</b>	<b>Pilot L/H #0.145.007 for Oven on the Right (Mounted on R/H Side of Burner)</b>	1			C
11	4525285	Oven Pilot Shield L/H, for 2200700 Pilot R/H <b>Note:</b> Used <b>FROM</b> (serial#) 0806100100492 / (model) G36-6R-0022.	1			
12	4525300	G/U Oven Pilot Shield R/H for 2200701 Pilot L/H <b>Note:</b> Used <b>FROM</b> (serial#) 0806100100492 / (model) G36-6R-0022	1			
13	F440	#10-32 x 1/4" Screw				
14	4524677	Pilot Bracket	1			
15	<b>2200706</b>	<b>Thermocouple Retaining Nut</b>	1			C
16	<b>2200704</b>	<b>3/16" Compression Nut - Oven Pilot</b>	1			C
17	<b>2200705</b>	<b>3/16" Ferrule - Oven Pilot</b>	1			C
18	<b>4523506</b>	<b>Thermocouple Oven 60"</b>	1			C
19	4522763	Oven Burner Rest	1			
20	2512200	Burner Hold Down Bracket	1			
21	<b>2200702</b>	<b>Pilot Orifice #32 Natural Gas</b>	1			C
	<b>2200703</b>	<b>Pilot Orifice #23 Propane</b>	1			C
22	<b>1415530F</b>	<b>Oven Orifice Fitting w/#30 hood (Natural Gas)</b>	1			C
	<b>1415550F</b>	<b>Oven Orifice Fitting w/#50 hood (Propane)</b>	1			C
23	<b>M9-30</b>	<b>Large Orifice #30 Natural Gas</b>	1			C
	<b>M9-50</b>	<b>Large Orifice #50 Propane</b>	1			C
24	<b>14155XX</b>	<b>Oven Orifice Fitting (without orifice)</b>	1			C
25	4522781	Orifice Bracket Oven	1			
26	4525464	H - Burner with Air Shutter Assembly (Partially Ported) <b>Note:</b> Assembly includes a cast iron H-burner (p/n 1014901) and an air shutter (item 27).	1			
27	2512100	Oven Burner Air Shutter (included in burner asm item# 26)	1			
29	4525052	US Range 26W Oven Door Assembly	1			
30	4522769	Door Frame Assembly 26W	1			

\* NOT ILLUSTRATED

**RECOMMENDED STOCK PARTS**

**U.S. RANGE PARTS IDENTIFICATION**  
**U Series Gas Restaurant Ranges**  
**48" SINGLE CONVECTION OVEN & CABINET DOOR COMPONENTS**

ITEM	PART#	DESCRIPTION	QTY	FROM	UP TO	CRITICAL
31	1082500	Oven Door Trunion	2			
32	4522737	Oven Door Panel 26W (with holes)	1			
33	4529726	US Range Logo - Large	1			
34	4522377	Oven Door Liner 26W	1			
35	4522407	Door Handle End Insulator	2			
36A	4522404	Door Handle End	2	9-SEP-09		
36B*	4525584	Door Handle Kit 26W US Range Oven <b>Note:</b> Use this Kit for units manufactured from 21-NOV-2008 to 8-SEP-2009. Kit includes items 35, 36A, 37, and fasteners.	1			
36C*	4524912	Door Handle End, Aluminum, US Range <b>Note:</b> This item is <b>No Longer Available</b> . Use Handle Kit 4525584 (item 36B) for an unit manufactured from (dates) 21-NOV-2008 to 8-SEP-2009 (serial#) 0811100101067 (model) U36-6C-0004.		NLA	NLA	
37	4522644	Door Handle 26W	1			
37A	4522789	Insulation, Door Filler 26W	2			
37B	4522788	Insulation, Door Brace 26W	2			
38	1082802	Hinge Link Rt	1			C
39	1082803	Hinge Link Lt	1			C
40	4522772	Bell Crank Assembly	2			
41	F299	Bolt 1/4-20 x 1/2" Bell Crank	2			
42	4522818	Bell Crank Support Bracket	2			
43	1005800	Oven Door Spring	2			C
44	4523497	6" Long J-Bolt (F598)	1			C
45	4526109	Door Spring Adjustment Bracket	1			
46	4522770	Kick Panel 26W	1			
47	<b>4524668</b>	<b>Knob Assembly - Oven SIT Deg F</b>	1			C
	<b>4524669</b>	<b>Knob Assembly - Oven SIT Deg C</b>	1			C
48	4523081	SIT Shield Mount	1			
49	<b>CK4603990</b>	<b>SIT Oven Control 1.0MM Min Rate Screw Service Kit (Natural Gas) (From S/N 1903100101182)</b>	1			C
	<b>CK4531688</b>	<b>SIT CONTROL SUNFIRE PRO WITH 0.8MM BYPASS (Propane) (From S/N 1903100101177)</b>	1			C
50	1095499	Straight Connector 7/16"	2			
51	4523079	SIT Shield Right	1			
52	4523080	SIT Shield Left	1			
53	4523499	SIT Shield Top	1			
54	4523145	Tube - SIT to Manifold	1			
54A	4520720	Flex Tube - SIT to Manifold. <b>Only for</b> models with 12" griddles mounted on the left side of the range)	1			
55	4522413	Rack Guide RC Oven	2			
56	4522409	Oven Rack 26W x 22D	3			
57	4522949	Fire Plate RC Oven	1		27-MAY-08	
	4524459	Fire Plate RC Oven (Used FROM May 28/2008, serial# 0805100101613)	1	28-MAY-08		
58	4522950	Fire Plate Support Bracket Assembly	1			
59	4530070	Terminal Box	1			
60	4530071	Terminal Box Cover	1			

\* NOT ILLUSTRATED

**RECOMMENDED STOCK PARTS**

**U.S. RANGE PARTS IDENTIFICATION**  
**U Series Gas Restaurant Ranges**  
**48" SINGLE CONVECTION OVEN & CABINET DOOR COMPONENTS**

ITEM	PART#	DESCRIPTION	QTY	FROM	UP TO	CRITICAL
61	3050401	Miniature Terminal Black Assy 3-P (for 208V/240V unit)	1			
62	G01497-1	B/X Connector Straight 3/8"	1			
63	1028500	B/X Connector 90 Degrees 3/8"	1			
64	4522990	Corner Column Left	1			
65	4522993	Center Column	1			
66	4522991	Corner Column Right	1			
67	F298N	#10-24 x 3/8" Shoulder Bolt, Nickel Plated	4			
68	4523935	48" Valve Panel (Convection) - All (8) Open Top Burners	1			
	4524394	48" Valve Panel (Convection) - 12" Griddle (Thermostat) - R/H	1			
		48" Valve Panel (Convection) - 12" Griddle (Standard) - R/H <b>Note:</b> Switched from 4523935 to 4524394 (date: 02-Dec-09, serial#: 0911100101162, model: G60-6G24RR-0002)	1	02-DEC-09		
	4524396	48" Valve Panel (Convection) - 12" Griddle (Thermostat) - L/H	1			
		48" Valve Panel (Convection) - 12" Griddle (Standard) - L/H <b>Note:</b> Switched from 4523935 to 4524396 (date: 02-Dec-09, serial#: 0911100101162, model: G60-6G24RR-0002)	1	02-DEC-09		
	4524046	48" Valve Panel (Convection) - 24" Griddle (Thermostat) - R/H	1			
		48" Valve Panel (Convection) - 24" Griddle (Standard) - R/H <b>Note:</b> Switched from 4524044 to 4524046 (date: 02-Dec-09, serial#: 0911100101162, model: G60-6G24RR-0002)	1	02-DEC-09		
	4524047	48" Valve Panel (Convection) - 24" Griddle (Thermostat) - L/H	1			
		48" Valve Panel (Convection) - 24" Griddle (Standard) - L/H <b>Note:</b> Switched from 4524045 to 4524047 (date: 02-Dec-09, serial#: 0911100101162, model: G60-6G24RR-0002)	1	02-DEC-09		
	4524398	48" Valve Panel (Convection) - 36" Griddle (Thermostat) - R/H	1			
48" Valve Panel (Convection) - 36" Griddle (Standard) - R/H <b>Note:</b> Switched from 4524044 to 4524398 (date: 02-Dec-09, serial#: 0911100101162, model: G60-6G24RR-0002)		1	02-DEC-09			
4524400	48" Valve Panel (Convection) - 36" Griddle (Thermostat) - L/H	1				
	48" Valve Panel (Convection) - 36" Griddle (Standard) - L/H <b>Note:</b> Switched from 4524045 to 4524400 (date: 02-Dec-09, serial#: 0911100101162, model: G60-6G24RR-0002)	1	02-DEC-09			
4524402	48" Valve Panel (Convection) - 48" Griddle (Thermostat)	1				
	48" Valve Panel (Convection) - 48" Griddle (Standard) <b>Note:</b> Switched from 4524392 to 4524402 (date: 02-Dec-09, serial#: 0911100101162, model: G60-6G24RR-0002)	1	02-DEC-09			
69	4523746	2.5" Nickel Plated Valve Panel Plug	1			
70	4523197	48" Plate Rail	1			
71	4523073	Valve Panel End Cap Left	1			
72	4523074	Valve Panel End Cap Right	1			
73	4526110	Burner Box Filler	2			
74	4522563	Manifold Assembly 48" (without Fittings)	1			C
75	<b>4522421</b>	<b>1" Regulator - Natural Gas 4.5" WC</b>	1			C
	<b>4522422</b>	<b>1" Regulator - Propane Gas 10" WC</b>				C
76	4529768	90 Deg Elbow 3/8" Pipe to 7/16" Tube	1			
77	G02251-1	Pressure Test Spigot	1			
78	2203400	1/8" NPT Pipe Plug (Griddle/Hot tops only) - Qty varies with top configuration.	MAX 4			
79A	4529764	.187 (3/16) Dia Tubing SIT Valve to Oven Pilot - Oven on the Left	1			

\* NOT ILLUSTRATED

**RECOMMENDED STOCK PARTS**

**U.S. RANGE PARTS IDENTIFICATION**  
**U Series Gas Restaurant Ranges**  
**48" SINGLE CONVECTION OVEN & CABINET DOOR COMPONENTS**

ITEM	PART#	DESCRIPTION	QTY	FROM	UP TO	CRITICAL
79B	4529765	.187 (3/16) Dia Tubing SIT Valve to Oven Pilot - Oven on the Right				
80A	4530485	.437 (7/16) Dia Tubing SIT Valve to Oven Orifice Fitting - Oven on the Left	1			
80B	4530483	.437 Dia Tubing SIT Valve to Oven Orifice Fitting - Oven on the Right	1			
81	4522774	Air Shield Pilot 26W	1			
82	4522773	Air Shield Solid 26W	1			
83	4523052	Capillary Guard 20W	1			
84	4523030	Bulb Guard	1			
85	4523194	Rail Support Bracket	2			
86	1082700	Harness Ring, Nickel Plated	2			
87	4522400	Trunion Bracket	2			
88	4523087	Grate Support Rail - Depends on top configuration (maximum quantity shown)	2			
89	4523186	24" Drip Angle	4			
90	1412300	Vent Slide	1			
91	1412400	Vent Slide Housing	1			
92	4522996	Tie Strap Front	1			
93	4522995	Tie Strap Top	1			
94	4524635	Veneer Back S/S - 48" RC Oven (Optional)	1			
95	4524629	Extension RC S/S Veneer Back (Optional)	2			
96	4524633	Veneer Back Support - RC Oven (Optional)	1			
97	4523138	RC Motor Patch 48" Range	1			
98	2519799	Motor Guard Assembly	1			
99	G01265-1-7	Storage Base - Flue/Oven Tube Cover	1			
100	F16	SIT to Manifold Mounting Bolts (#10-24 Round Head x 2-1/2" Long)	2			
101	F312	SIT to Manifold K-Lock Nut (#14-24)	2			
102	4524280	Wire Channel, Convection Oven	1			
103	4523027	Retention Bracket, Convection Oven	1			
104	4523222	Switch Box, Convection Oven	1			
105	4524317	Extension Box - C, Convection Oven	1			
106	1358900	Switch (Power Switch ON/OFF/ON), Convection Oven	1			C
107	<b>1309201</b>	<b>Piezo Spark Ignitor</b>	1			C
108	4518193	Piezo Mounting Bracket	1			
109	CK2200211	12" High Tension Wire Leads	1			
110	G03883R	Thermoflex Insulating Sleeve (sold by the foot - 1 foot required)	1 FT			
111	4522932	Door Switch Cover, Convection Oven	1			
112	1019600	Door Switch, Convection Oven	1			C
113	G01503-16	1/4-20 x 1-3/4" Long Weld Stud	1			
114	F86	1/4 - 20 K-Lock Nut	1			
115	4524808	Hinge - RC Door Switch	1			
116	F599	#6-32 x 1-1/2" Machine Screw	1			
117	F590	#6-32 K-Lock Nut	2			
118	4526164	Air Baffle Kit, G Series, Convection Oven <b>Note:</b> Kit includes items 119, 120, fasteners, and instructions.	1			
119	4526160	Air Baffle Support Bracket Assy with Cage Nuts - G Series	1			
120	4526161	Air Baffle	1			
121	2520100	Fan Protector Screen	1			
122	4512234	Burner Support Track	1			

\* NOT ILLUSTRATED

**RECOMMENDED STOCK PARTS**



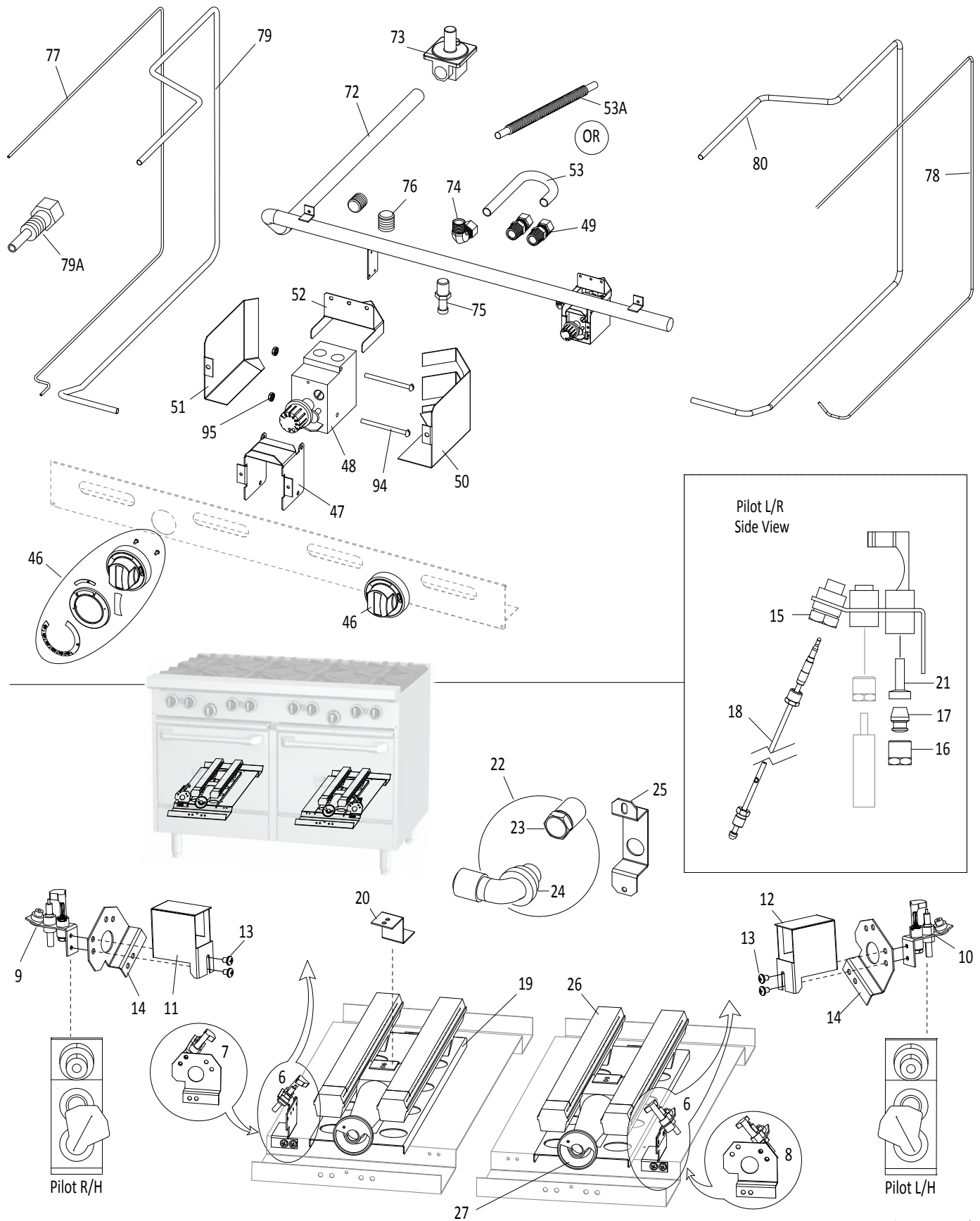
**U.S. RANGE PARTS IDENTIFICATION**  
**U Series Gas Restaurant Ranges**  
**48" SINGLE CONVECTION OVEN & CABINET DOOR COMPONENTS**

ITEM	PART#	DESCRIPTION	QTY	FROM	UP TO	CRITICAL
123	<b>4515043</b>	<b>RC Motor Assembly Kit 115V</b> <i>Note: Kit includes items 124A, 125 - 129.</i>	1			C
124A	<b>2485801</b>	<b>RC Motor 1/3 HP, 115V, 60Hz</b>	1			C
124B	<b>2485800</b>	<b>RC Motor 1/3 HP, 208/240V, 50/60 Hz</b>	1			C
125	G01503-3	1/4 - 20 Weld Nut	8			
126	3013301	Motor Mount Pocket	1			
127	1669101	Motor Pocket Insulation Board	1			
128	3013401	Motor Mount Plate	1			
129	G02952-01P	Blower Wheel Assembly (Plated)	1			
130	4523398	Cord & Plug 6 Ft. (3/4 GA, 15 AMP, SJ00W)	1			
131	4527220	SIT Pilot Tube Connection	1			
132	<b>2200708</b>	<b>Electrode #0.915.025</b>	1			C
133	<b>2200707</b>	<b>Nut Electrode #0.974.144</b>	1			C
<b>LEGS &amp; CASTERS</b>						
200	4525074	6" Adjustable Leg, S/S	4			
201	4524104	6" Flanged Leg (Optional)	4			
202	4526324	6" Caster Package, non-adjustable (Optional) <b>Note:</b> Includes items 204, 205, 208, and installation instructions.	1			
203	4526323	6" Caster Package, adjustable (Optional) <b>Note:</b> Includes items 206, 207, 208, and installation instructions.	1			
204	4525595	6" Caster No Brake, 3/4-10 mount, non-adjustable	2			
205	4525596	6" Caster With Brake, 3/4-10 mount, non-adjustable	2			
206	4525597	6" Caster No Brake, 3/4-10 mount, adjustable	2			
207	4525598	6" Caster With Brake, 3/4-10 mount, adjustable	2			
208	4526157	Caster Washer <b>Note:</b> Used FROM serial#: 0901100100838 / date: 20-Jan-09.	4	20-JAN-09		
209	4526325	Caster Washer Kit	1			
<b>CABINET DOOR COMPONENTS - 15" STORAGE BASE MODEL</b>						
300	4524309	Door Panel Outer - 15" Storage Base	1			
301	4524310	Door Panel Inner - 15" Storage Base	1			
302	F557	5/32" Rivet - S/S (Grip Range .039" - .118")	12			
303	078056-5	Flange Bearing/Bushing	2			
304	2530900	0.375" Hole Plug	2			
305	3031900	Storage Door Handle	1			
306	4524288	Door Hinge Assembly - Right	1			
307	4524287	Door Hinge Assembly - Left	1			
308	4524308	Door Stop - 15"/24" Door, Standard Base	1			
309	F60	Screw-10AX 5/8INTLock Quad Pan	4			
310	078174-1	Magnetic Door Catch	1			
311	4529120	15" Complete Door Kit Assembly, G/U Series <b>Note:</b> Assembly includes items 300 - 310	1			

\* NOT ILLUSTRATED

**RECOMMENDED STOCK PARTS**

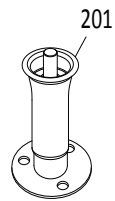
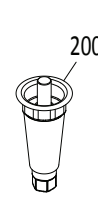
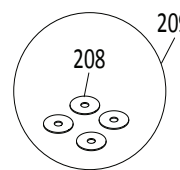
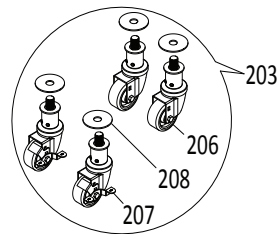
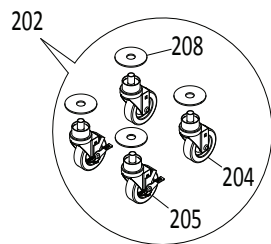
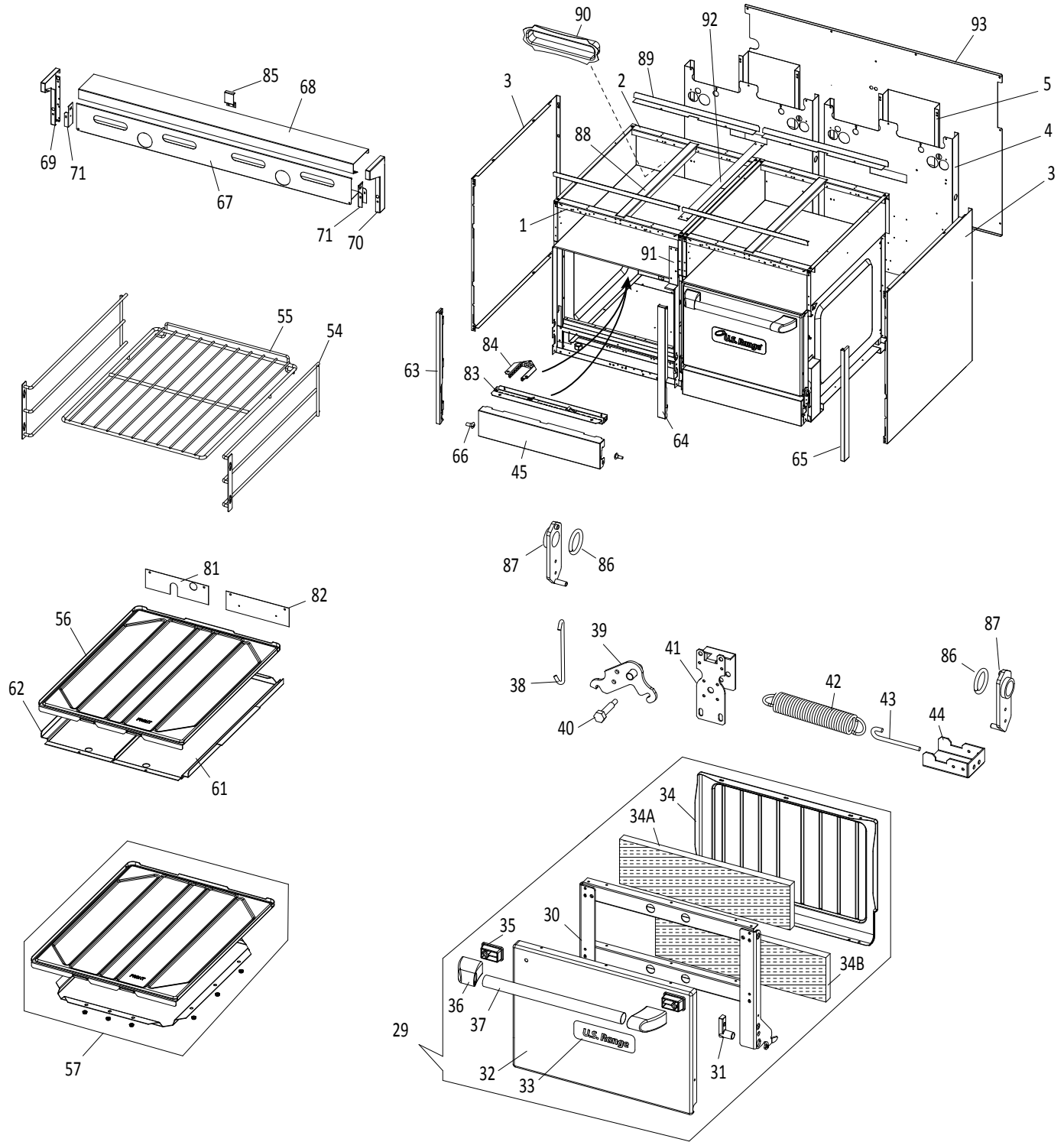
Blank Page



48inch LL Oven Section 1of2



**48" DOUBLE SPACE SAVER OVENS COMPONENTS (2 OF 2)**



48inch LL Oven Section 2of2

## U.S. RANGE PARTS IDENTIFICATION

### U Series Gas Restaurant Ranges

#### 48" DOUBLE SPACE SAVER OVENS COMPONENTS

ITEM	PART#	DESCRIPTION	PER OVEN	WHOLE UNIT	FROM	UP TO	CRITICAL
1	4523184	24" Main Channel Front	1	2			
2	4525529	24" Main Channel Rear	1	2			
3	4522764	Body Side Lt/Rt	1	2			
4	4523041	Main Back 24" Oven	1	2			
5	4522762	Flue Riser Std Oven	1	2			
6		Left/Right Pilot Assembly and Left/Right Pilot Bracket <b>Note:</b> Used <b>UP TO</b> (date) Jan 29, 2008 / (serial#) 0801100101981. When servicing, <b>IMPORTANT</b> to <b>replace</b> the pilot assemblies and brackets <b>with</b> Range Oven <b>Pilot Kits</b> (see item <b>7A - 7B</b> ).				29-JAN-08	
7	<b>4524826</b>	<b>Range Oven Pilot Kit Natural Gas, on L/H Side of Burner (for the oven on the Left)</b>			30-JAN-08		
	<b>4524828</b>	<b>Range Oven Pilot Kit Propane Gas, on L/H Side of Burner (for the oven on the Left)</b>			30-JAN-08		
8	<b>4524825</b>	<b>Range Oven Pilot Kit Natural Gas, on R/H Side of Burner (for the oven on the Right)</b>			30-JAN-08		
	<b>4524827</b>	<b>Range Oven Pilot Kit Propane Gas, on R/H Side of Burner (for the oven on the Right)</b>			30-JAN-08		
9	<b>2200700</b>	<b>Pilot R/H #0.145.010, for Oven on the Left (Mounted on L/H Side of Burner)</b>	1	1			C
10	<b>2200701</b>	<b>Pilot L/H #0.145.007 for Oven on the Right (Mounted on R/H Side of Burner)</b>	1	1			C
11	4525285	Oven Pilot Shield L/H, for 2200700 Pilot R/H <b>Note:</b> Used <b>FROM</b> (serial#) 0806100100492 / (model) G36-6R-0022.	1	1			
12	4525300	G/U Oven Pilot Shield R/H for 2200701 Pilot L/H <b>Note:</b> Used <b>FROM</b> (serial#) 0806100100492 / (model) G36-6R-0022	1	1			
13	F440	#10-32 x 1/4" Screw					
14	4524677	Pilot Bracket	1	2			
15	<b>2200706</b>	<b>Thermocouple Retaining Nut</b>	1	2			C
16	<b>2200704</b>	<b>3/16" Compression Nut - Oven Pilot</b>	1	2			C
17	<b>2200705</b>	<b>3/16" Ferrule - Oven Pilot</b>	1	2			C
18	<b>4523506</b>	<b>Thermocouple Oven 60"</b>	1	2			C
19	4522763	Oven Burner Rest	1	2			
20	2512200	Burner Hold Down Bracket	1	2			
21	<b>2200702</b>	<b>Pilot Orifice #32 Natural Gas</b>	1	2			C
	<b>2200703</b>	<b>Pilot Orifice #23 Propane</b>	1	2			C
22	<b>1415533F</b>	<b>Oven Orifice Fitting with #33 Hood (Natural)</b>	1	2			C
	<b>1415551F</b>	<b>Oven Orifice Fitting with #51 Hood (Propane)</b>	1	2			C
23	<b>M9-33</b>	<b>Large Orifice #33 Natural Gas</b>	1	2			C
	<b>M9-51</b>	<b>Large Orifice #51 Propane</b>	1	2			C
24	<b>14155XX</b>	<b>Oven Orifice Fitting (without orifice)</b>	1	2			C
25	4522781	Oven Orifice Bracket	1	2			
26	4525464	H - Burner with Air Shutter Assembly (Partially Ported) <b>Note:</b> Assembly includes a cast iron H-burner (p/n 1014901) and an air shutter (item 27).	1	2			
27	2512100	Oven Burner Air Shutter (included in burner asm item# 26)	1	2			
29	4525153	UR Range 20W Oven Door Assembly	1	2			

\* NOT ILLUSTRATED

#### **RECOMMENDED STOCK PARTS**

## U.S. RANGE PARTS IDENTIFICATION

### U Series Gas Restaurant Ranges

#### 48" DOUBLE SPACE SAVER OVENS COMPONENTS

ITEM	PART#	DESCRIPTION	PER OVEN	WHOLE UNIT	FROM	UP TO	CRITICAL
30	4523125	Door Frame Assembly 20W	1	2			
31	1082500	Oven Door Trunion	2	4			
32	4522738	Oven Door Panel 20W (with holes)	1	2			
33	4529726	US Range Logo, Large	1	2			
34	4522378	Oven Door Liner 20W	1	2			
34A	4522791	Insulation Door Filler 20W	2	4			
34B	4522790	Insulation Door Brace 20W	2	4			
35	4522407	Door Handle End Insulator	2	4			
36A	4522404	Door Handle End	2	4	9-SEP-09		
36B*	4525585	Door Handle Kit 20W US Range Oven <b>Note:</b> Use this Kit for units manufactured from 21-NOV-2008 to 8-SEP-2009. Kit includes items 35, 36A, 37, and fasteners.	1	2			
36C*	4524912	Door Handle End, Aluminum, US Range <b>Note:</b> This item is <b>No Longer Available</b> . Use Handle Kit 4525585 (item 36B) for an unit manufactured from (dates) 21-NOV-2008 to 8-SEP-2009 / (serial#) 0811100101067 / (model) U36-6C-0004.			<b>NLA</b>	<b>NLA</b>	
37	4522645	Door Handle 24" 1.250 dia.	1	2			
38	1082802	Hinge Link Rt	1	2			C
39	4522772	Bell Crank Assembly	1	2			
40	F299	Bolt 1/4-20 x 1/2" Bell Crank	1	2			
41	4522818	Bell Crank Support Bracket	1	2			
42	1005800	Oven Door Spring	1	2			C
43	9004701	Oven Door Spring Hook	1	2			C
44	4523654	Spring Support Bracket (20W Oven)	1	2			
45	4523039	Kick Panel 20W	1	2			
46	<b>4524668</b>	<b>Knob Assembly - Oven SIT Deg F</b>	1	2			C
	<b>4524669</b>	<b>Knob Assembly - Oven SIT Deg C</b>	1	2			C
47	4523081	SIT Shield Mount	1	2			
48	<b>CK4603990</b>	<b>SIT Oven Control 1.0MM Min Rate Screw Service Kit (Natural Gas) (From S/N 1903100101182)</b>	1	2			C
	<b>CK4531688</b>	<b>SIT CONTROL SUNFIRE PRO WITH 0.8MM BYPASS (Propane) (From S/N 1903100101177)</b>	1	2			C
49	1095499	Straight Connector 7/16"	2	4			
50	4523079	SIT Shield Right	1	2			
51	4523080	SIT Shield Left	1	2			
52	4523499	SIT Shield Top	1	2			
53	4523145	Tube - Sit To Manifold	1	2			
53A	4520720	7/16" Flexible Tubing Sit To Manifold <b>NOTE:</b> Applicable Only for Models with 12"Griddles Mounted on the L/H Side of the Range.					
54	4522411	Rack Guide 26D	2	4			
55	4522410	Oven Rack 20W x 26D	1	2			
56	4522384	Oven Hearth 20W x 26D (Enamelled) <b>Note:</b> Used <b>FROM</b> May 3/2008 / serial# 0804100101527	1	2	3-MAY-08		

\* NOT ILLUSTRATED

#### RECOMMENDED STOCK PARTS

## U.S. RANGE PARTS IDENTIFICATION

### U Series Gas Restaurant Ranges

#### 48" DOUBLE SPACE SAVER OVENS COMPONENTS

ITEM	PART#	DESCRIPTION	PER OVEN	WHOLE UNIT	FROM	UP TO	CRITICAL
57	4523053	Oven Hearth Assembly 20W x 26D <b>Note:</b> Used <b>UP TO</b> serial# 0804100101527 / date 2-May-08. Assembly includes an oven hearth with studs (p/n 4523326), an oven hearth baffle (p/n 4523054), and pal nuts (p/n F95). Components listed for reference only; not sold separately.	1	2		2-MAY-08	
61	4604123	Baffle Right 20W	1	2			
62	4604122	Baffle Left 20W	1	2			
63	4522990	Corner Column Left		1			
64	4522993	Center Column		1			
65	4522991	Corner Column Right		1			
66	F298N	Bolt, #10-24 x 3/8" Shoulder Truss HD, Nickel Plated	4	8			
67	4523204	48" Valve Panel - All (8) Open Top Burners		1			
	4524393	48" Valve Panel - 12" Griddle (Thermostat) - R/H		1			
		48" Valve Panel - 12" Griddle (Standard) - R/H <b>Note:</b> Switched from 4523204 to 4524393 (date: 02-Dec-09, serial#: 0911100101162, model: G60-6G24RR-0002)		1	02-DEC-09		
	4524395	48" Valve Panel - 12" Griddle (Thermostat) - L/H		1			
		48" Valve Panel - 12" Griddle (Standard) - L/H <b>Note:</b> Switched from 4523204 to 4524395 (date: 02-Dec-09, serial#: 0911100101162, model: G60-6G24RR-0002)		1	02-DEC-09		
	4523721	48" Valve Panel - 24" Griddle (Thermostat) - R/H		1			
		48" Valve Panel - 24" Griddle (Standard) - R/H <b>Note:</b> Switched from 4523719 to 4523721 (date: 02-Dec-09, serial#: 0911100101162, model: G60-6G24RR-0002)		1	02-DEC-09		
	4523722	48" Valve Panel - 24" Griddle (Thermostat) - L/H		1			
		48" Valve Panel - 24" Griddle (Standard) - L/H <b>Note:</b> Switched from 4523720 to 4523722 (date: 02-Dec-09, serial#: 0911100101162, model: G60-6G24RR-0002)		1	02-DEC-09		
	4524397	48" Valve Panel - 36" Griddle (Thermostat) - R/H		1			
		48" Valve Panel - 36" Griddle (Standard) - R/H <b>Note:</b> Switched from 4523719 to 4524397 (date: 02-Dec-09, serial#: 0911100101162, model: G60-6G24RR-0002)		1	02-DEC-09		
	4524399	48" Valve Panel - 36" Griddle (Thermostat) - L/H		1			
48" Valve Panel - 36" Griddle (Standard) - L/H <b>Note:</b> Switched from 4523720 to 4524399 (date: 02-Dec-09, serial#: 0911100101162, model: G60-6G24RR-0002)			1	02-DEC-09			
4524401	48" Valve Panel - 48" Griddle (Thermostat)		1				
	48" Valve Panel - 48" Griddle (Standard) <b>Note:</b> Switched from 4524391 to 4524401 (date: 02-Dec-09, serial#: 0911100101162, model: G60-6G24RR-0002)		1	02-DEC-09			
68	4523197	48" Plate Rail		1			
69	4523073	Valve Panel End Cap Left		1			
70	4523074	Valve Panel End Cap Right		1			
71	4526110	Burner Box Filler		2			
72	4522563	Manifold Assembly 48" (without Fittings)		1			C
73	<b>4522421</b>	<b>1" Regulator - Natural Gas 4.5" WC</b>		1			C
	<b>4522422</b>	<b>1" Regulator - Propane Gas 10" WC</b>		1			C
74	4529768	90 Deg Elbow 3/8" Pipe to 7/16" Tube	1	2			

\* NOT ILLUSTRATED

#### RECOMMENDED STOCK PARTS

## U.S. RANGE PARTS IDENTIFICATION

### U Series Gas Restaurant Ranges

#### 48" DOUBLE SPACE SAVER OVENS COMPONENTS

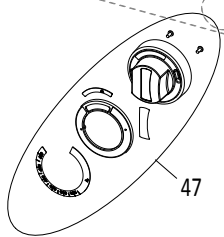
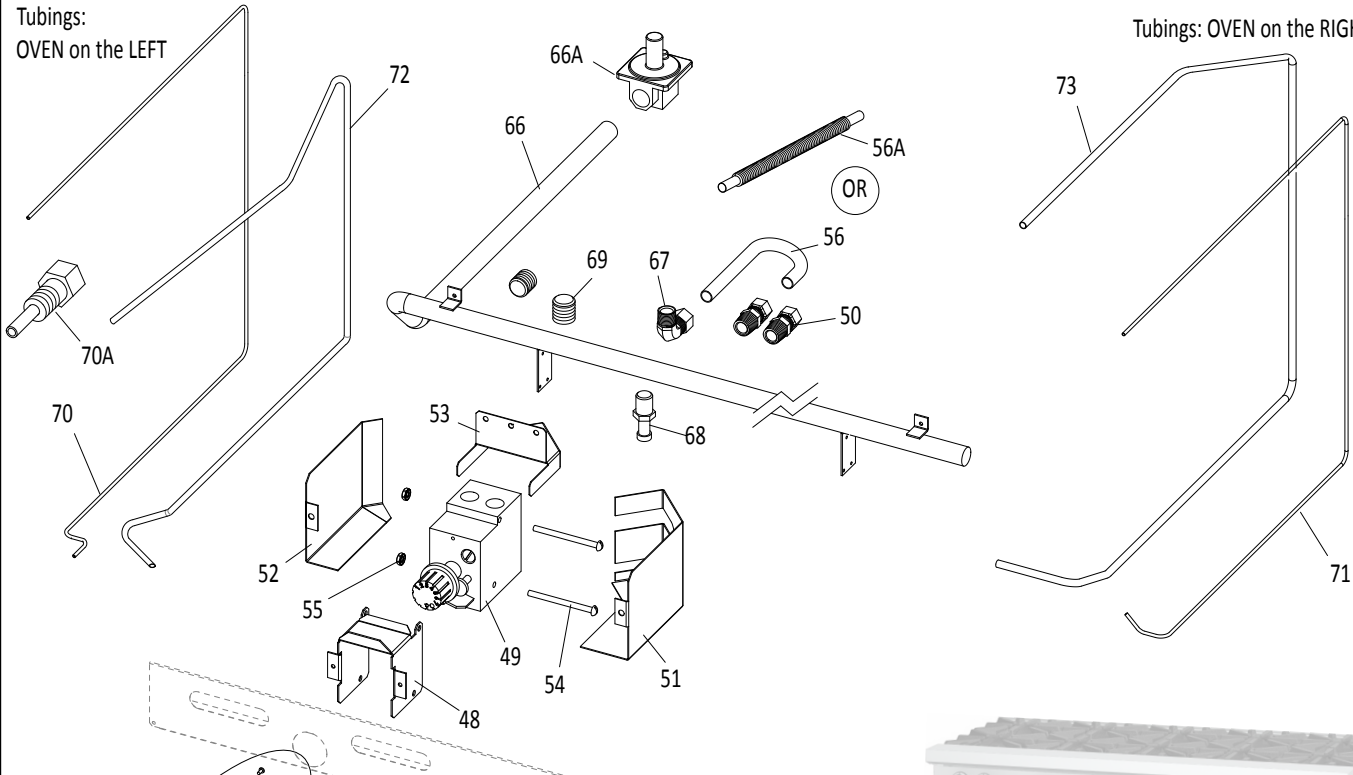
ITEM	PART#	DESCRIPTION	PER OVEN	WHOLE UNIT	FROM	UP TO	CRITICAL
75	G02251-1	Pressure Test Spigot		1			
76	2203400	1/8" NPT Pipe Plug (Griddle/Hot tops only) - Qty varies with top configuration.	MAX 2				
77	4523142	.187 (3/16) Dia Tubing SIT Valve to Oven Pilot - Oven on the Left		1			
78	4523180	.187 (3/16) Dia Tubing SIT Valve to Oven Pilot - Oven on the Right		1			
79	4530485	.437 (7/16) Dia Tubing SIT Valve to Oven Orifice Fitting for Oven on the Left		1			
79A	4527220	SIT Pilot Tube Connection	1	2			
80	4530484	.437 (7/16) Dia Tubing SIT Valve to Oven Orifice Fitting for Oven on the Right		1			
81	4523043	Air Shield Pilot 20W	1	2			
82	4523042	Air Shield Solid 20W	1	2			
83	4523052	Capillary Guard 20W	1	2			
84	4523030	Bulb Guard	1	2			
85	4523194	Rail Support Bracket		1			
86	1082700	Harness Ring, Nickel Plated	2	4			
87	4522400	Trunion Bracket	2	4			
88	4523087	Grate Support Rail. Qty varies with top configuration.	MAX 2				
89	4523186	24" Drip Angle	2	4			
90	1005110	Flue Collar	1	2			
91	4522996	Tie Strap Front		1			
92	4522995	Tie Strap Top		1			
93	4524634	Veneer Back S/S - 48" Standard Oven (Optional)		1			
94	F16	SIT to Manifold Mounting Bolts (#10-24 Round Head x 2-1/2" Long)	2	4			
95	F312	SIT to Manifold Mounting Lock Nut (#10-24, K-Lock Nut)	2	4			
<b>LEGS &amp; CASTERS</b>							
200	4525074	6" Adjustable Leg, S/S		4			
201	4524104	6" Flanged Leg (Optional)		4			
202	4526324	6" Caster Package, non-adjustable (Optional) <b>Note:</b> Includes items 204, 205, 208, and installation instructions.		1			
203	4526323	6" Caster Package, adjustable (Optional) <b>Note:</b> Includes items 206, 207, 208, and installation instructions.		1			
204	4525595	6" Caster No Brake, 3/4-10 mount, non-adjustable		2			
205	4525596	6" Caster With Brake, 3/4-10 mount, non-adjustable		2			
206	4525597	6" Caster No Brake, 3/4-10 mount, adjustable		2			
207	4525598	6" Caster With Brake, 3/4-10 mount, adjustable		2			
208	4526157	Caster Washer <b>Note:</b> Used FROM serial#: 0901100100838 / date: 20-Jan-09.		4	20-JAN-09		
209	4526325	Caster Washer Kit		1			

\* NOT ILLUSTRATED

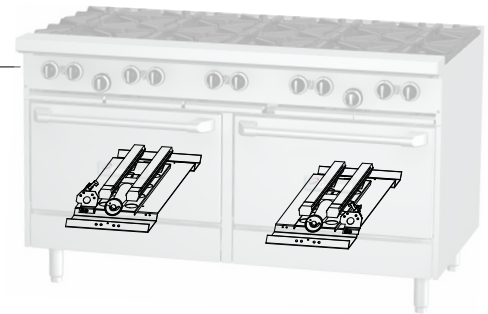
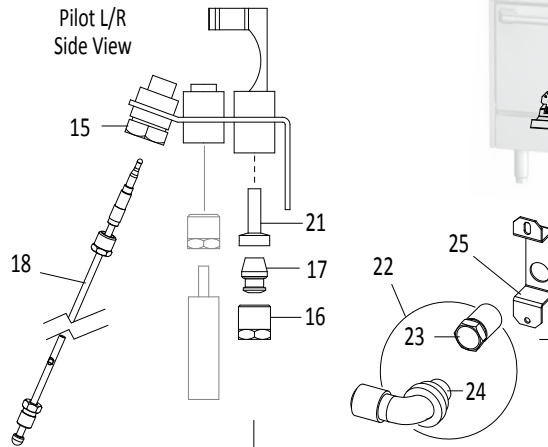
#### **RECOMMENDED STOCK PARTS**

Tubings:  
OVEN on the LEFT

Tubings: OVEN on the RIGHT

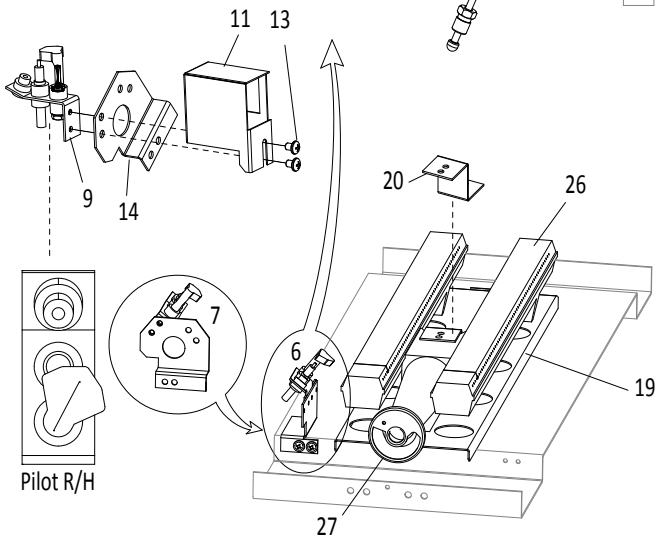


Pilot L/R  
Side View

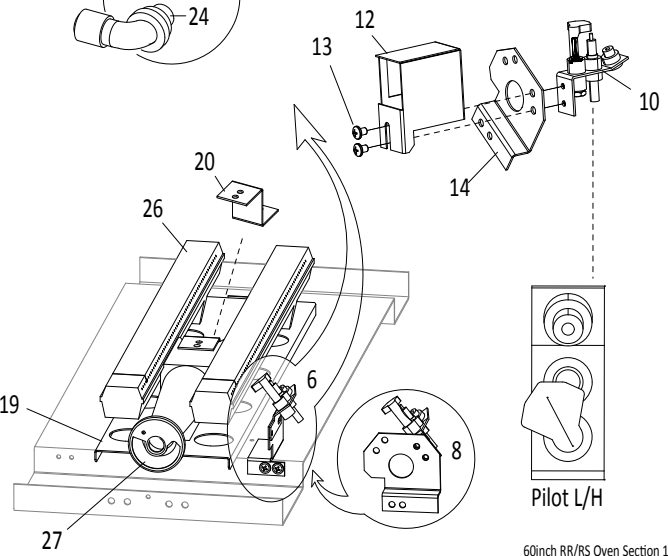


OVEN on the LEFT

OVEN on the RIGHT



Pilot R/H



Pilot L/H

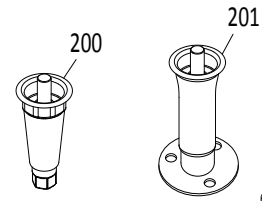
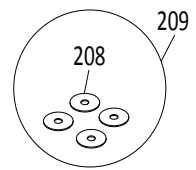
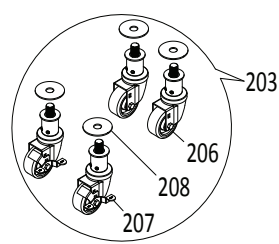
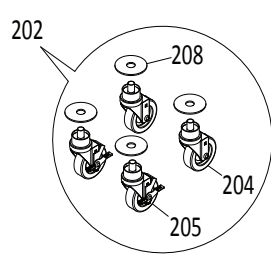
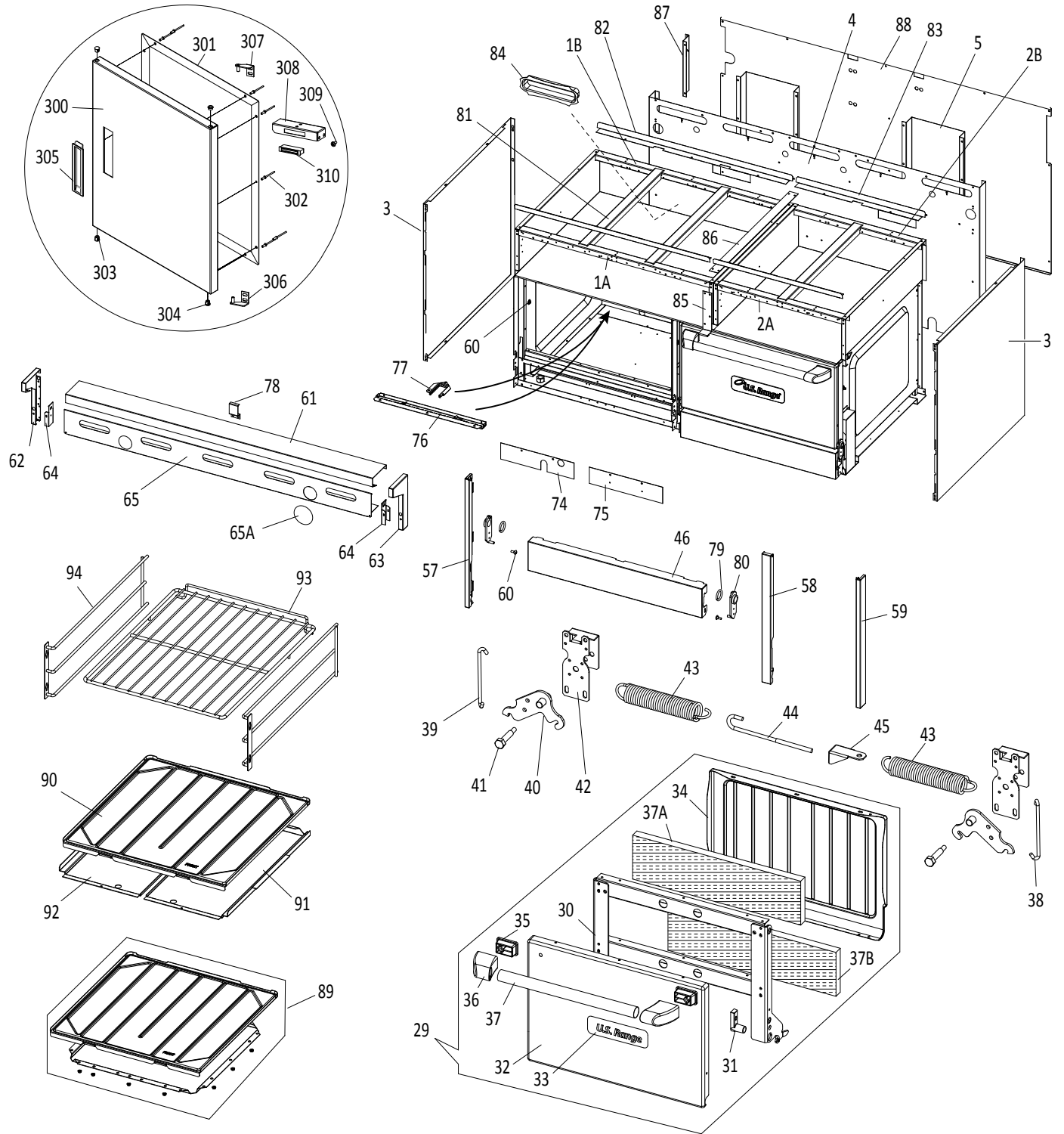
60inch RR/RS Oven Section 1of2



U Series Gas Restaurant Ranges



60" SINGLE OR DOUBLE STANDARD OVEN(S) / CABINET DOOR (2 OF 2)



**U.S. RANGE PARTS IDENTIFICATION**  
**U Series Gas Restaurant Ranges**  
**60" SINGLE OR DOUBLE STANDARD OVEN(S) / CABINET DOOR COMPONENTS**

ITEM	PART#	DESCRIPTION	SINGLE OVEN	DOUBLE OVENS	FROM	UP TO	CRITICAL
1A	4523068	36" Main Channel – Front	1	1			
1B	4525530	36" Main Channel – Rear	1	1			
2A	4523184	24" Main Channel – Front	1	1			
2B	4525529	24" Main Channel – Rear	1	1			
3	4522764	Body Side Lt/Rt	2	2			
4	4522994	Main Back for Double Standard Ovens / Storage & One Std Oven on Lt or Rt.	1	1			
5	4522762	Flue Riser Standard Oven	1	2			
6		Right/Left Pilot Assembly and Right/Left Pilot Bracket <b>Note:</b> Used <b>UP TO</b> (date) Jan 29, 2008 / (serial#) 0801100101981. When servicing, <b>IMPORTANT</b> to <b>replace the</b> pilot assemblies and brackets <b>with Range Oven Pilot Kits</b> (see items <b>7 and 8</b> ).				29-JAN-08	
7	<b>4524826</b>	<b>Range Oven Pilot Kit Natural Gas, on L/H Side of Burner (for the oven on the Left)</b>	1	1	30-JAN-08		
	<b>4524828</b>	<b>Range Oven Pilot Kit Propane Gas, on L/H Side of Burner (for the oven on the Left)</b>	1	1	30-JAN-08		
8	<b>4524825</b>	<b>Range Oven Pilot Kit Nat Gas on R/H Side of Burner (Oven on Right)</b>	1	1	30-JAN-08		
	<b>4524827</b>	<b>Range Oven Pilot Kit Pro Gas on R/H Side of Burner (Oven on Right)</b>	1	1	30-JAN-08		
9	<b>2200700</b>	<b>Pilot R/H #0.145.010, for Oven on the Left (Mounted on L/H Side of Burner)</b>	1	1	12-JUN-08		C
10	<b>2200701</b>	<b>Pilot L/H #0.145.007, for Oven on the Right (Mounted on R/H Side of Burner)</b>	1	1	12-JUN-08		C
11	4525285	Oven Pilot Shield L/H, for 2200700 Pilot R/H <b>Note:</b> Used <b>FROM</b> (serial#) 0806100100492 / (model) G36-6R-0022.	1	1	12-JUN-08		
12	4525300	G/U Oven Pilot Shield R/H, for 2200701 Pilot L/H <b>Note:</b> Used <b>FROM</b> (serial#) 0806100100492 / (model) G36-6R-0022.	1	1	12-JUN-08		
13	F440	#10-32 x 1/4" Screw					
14	4524677	Pilot Bracket <b>Note:</b> Used <b>FROM</b> (serial#) 0801100101981.	1	2	30-JAN-08		
15	<b>2200706</b>	<b>Thermocouple Retaining Nut</b>	1	2			C
16	<b>2200704</b>	<b>3/16" Compression Nut - Oven Pilot</b>	1	2			C
17	<b>2200705</b>	<b>3/16" Ferrule - Oven Pilot</b>	1	2			C
18	<b>4523506</b>	<b>Thermocouple Oven 60"</b>	1	2			C
19	4522763	Oven Burner Rest	1	2			
20	2512200	Burner Hold Down Bracket	1	2			
21	<b>2200702</b>	<b>Pilot Orifice #32 Natural Gas</b>	1	2			C
	<b>2200703</b>	<b>Pilot Orifice #23 Propane</b>	1	2			C
22	<b>1415530F</b>	<b>Oven Orifice Fitting w/#30 Hood (Natural Gas)</b>	1	2			C
	<b>1415550F</b>	<b>Oven Orifice Fitting w/#50 Hood (Propane)</b>	1	2			C
23	<b>M9-30</b>	<b>Large Orifice #30 Natural Gas</b>	1	2			C
	<b>M9-50</b>	<b>Large Orifice #50 Propane</b>	1	2			C
24	<b>14155XX</b>	<b>Oven Orifice Fitting (without orifice)</b>	1	2			C
25	4522781	Orifice Bracket, Oven	1	2			

\* NOT ILLUSTRATED

**RECOMMENDED STOCK PARTS**

**U.S. RANGE PARTS IDENTIFICATION**  
**U Series Gas Restaurant Ranges**  
**60" SINGLE OR DOUBLE STANDARD OVEN(S) / CABINET DOOR COMPONENTS**

ITEM	PART#	DESCRIPTION	SINGLE OVEN	DOUBLE OVENS	FROM	UP TO	CRITICAL
26	4525464	H - Burner with Air Shutter Assembly (Partially Ported) <b>Note:</b> Assembly includes a cast iron H-burner (p/n 1014901) and an air shutter (item 27).	1	2			
27	2512100	Oven Burner Air Shutter (included in burner asm item# 26)	1	2			
29	4525052	US Range 26W Oven Door Assembly	1	2			
30	4522769	Door Frame Assembly 26W	1	2			
31	1082500	Oven Door Trunion	2	4			
32	4522737	Oven Door Panel 26W (with holes)	1	2			
33	4529726	US Range Logo - Large	1	2			
34	4522377	Oven Door Liner 26W	1	2			
35	4522407	Door Handle End Insulator	2	4			
36A	4522404	Door Handle End	2	4	9-SEP-09		
36B*	4525584	Door Handle Kit 26W US Range Oven <b>Note:</b> Use this Kit for units manufactured from 21-NOV-2008 to 8-SEP-2009. Kit includes items 35, 36A, 37, and fasteners.	1	2			
36C*	4524912	Door Handle End, Aluminum, US Range <b>Note:</b> This item is <b>No Longer Available</b> . Use Handle Kit 4525584 (item 36B) for an unit manufactured from (dates) 21-NOV-2008 to 8-SEP-2009 (serial#) 0811100101067 (model) U36-6C-0004.			NLA	NLA	
37	4522644	Door Handle, 26W	1	2			
37A	4522789	Insulation, Door Filler 26W	2	4			
37B	4522788	Insulation, Door Brace 26W	2	4			
38	1082802	Hinge Link Rt	1	2			C
39	1082803	Hinge Link Lt	1	2			C
40	4522772	Bell Crank Assembly	2	4			
41	F299	Bolt 1/4-20 x 1/2" Bell Crank	2	4			
42	4522818	Bell Crank Support Bracket	2	4			
43	1005800	Oven Door Spring	2	4			C
44	4523497	6" Long J-Bolt (F598)	1	2			C
45	4526109	Door Spring Adjustment Bracket	1	2			
46	4522770	Kick Panel 26W	1	2			
47	<b>4524668</b>	<b>Knob Assembly - Oven SIT Deg F</b>	1	2			C
	<b>4524669</b>	<b>Knob Assembly - Oven SIT Deg C</b>	1	2			C
48	4523081	SIT Shield Mount	1	2			
49	<b>CK4603990</b>	<b>SIT Oven Control 1.0MM Min Rate Screw Service Kit (Natural Gas) (From S/N 1903100101182)</b>	1	2			C
	<b>CK4531688</b>	<b>SIT CONTROL SUNFIRE PRO WITH 0.8MM BYPASS (Propane) (From S/N 1903100101177)</b>	1	2			C
50	1095499	Straight Connector 7/16"	2	4			
51	4523079	SIT Shield Right	1	2			
52	4523080	SIT Shield Left	1	2			
53	4523499	SIT Shield Top	1	2			
54	F16	SIT to Manifold Mounting Bolts (#10-24 Round Head x 2-1/2" Long)	2	4			
55	F312	SIT to Manifold Mounting Lock Nut (#10-24, K-Lock Nut)	2	4			
56	4523145	Tube - SIT to Manifold	1	2			
56A	4520720	7/16" Flexible Tubing Sit To Manifold <b>NOTE:</b> Only used for models with a 12" griddle mounted on the L/H side of the range.	1	1			

\* NOT ILLUSTRATED

**RECOMMENDED STOCK PARTS**

**U.S. RANGE PARTS IDENTIFICATION**  
**U Series Gas Restaurant Ranges**  
**60" SINGLE OR DOUBLE STANDARD OVEN(S) / CABINET DOOR COMPONENTS**

ITEM	PART#	DESCRIPTION	SINGLE OVEN	DOUBLE OVENS	FROM	UP TO	CRITICAL
57	4522990	Corner Column Left	1	1			
58	4522993	Center Column	1	1			
59	4522991	Corner Column Right	1	1			
60	F298N	Bolt 10-24 X 3/8" Long Shoulder Truss Head, Nickel Plated	4	8			
61	4523198	60" Plate Rail	1	1			
62	4523073	Valve Panel End Cap Left	1	1			
63	4523074	Valve Panel End Cap Right	1	1			
64	4526110	Burner Box Filler	2	2			
65	4523583	60" Valve Panel - All (10) Open Top Burners	1	1			
	4524151	60" Valve Panel - 12" Griddle (Thermostat) - R/H	1	1			
		60" Valve Panel - 12" Griddle (Standard) - R/H <b>Note:</b> Switched from 4523583 to 4524151 (date: 02-Dec-09, serial#: 0911100101162, model: G60-6G24RR-0002)	1	1	02-DEC-09		
	4524148	60" Valve Panel - 12" Griddle (Thermostat) - L/H	1	1			
		60" Valve Panel - 12" Griddle (Standard) - L/H <b>Note:</b> Switched from 4523583 to 4524148 (date: 02-Dec-09, serial#: 0911100101162, model: G60-6G24RR-0002)	1	1	02-DEC-09		
	4523977	60" Valve Panel - 24" Griddle (Thermostat) - R/H	1	1			
		60" Valve Panel - 24" Griddle (Standard) - R/H <b>Note:</b> Switched from 4523525 to 4523977 (date: 02-Dec-09, serial#: 0911100101162, model: G60-6G24RR-0002)	1	1	02-DEC-09		
	4523554	60" Valve Panel - 24" Griddle (Thermostat) - L/H	1	1			
		60" Valve Panel - 24" Griddle (Standard) - L/H <b>Note:</b> Switched from 4523553 to 4523554 (date: 02-Dec-09, serial#: 0911100101162, model: G60-6G24RR-0002)	1	1	02-DEC-09		
	4523474	60" Valve Panel - 36" Griddle (Thermostat) - R/H	1	1			
		60" Valve Panel - 36" Griddle (Standard) - R/H <b>Note:</b> Switched from 4523525 to 4523474 (date: 02-Dec-09, serial#: 0911100101162, model: G60-6G24RR-0002)	1	1	02-DEC-09		
	4523527	60" Valve Panel - 36" Griddle (Thermostat) - L/H	1	1			
		60" Valve Panel - 36" Griddle (Standard) - L/H <b>Note:</b> Switched from 4523526 to 4523527 (date: 02-Dec-09, serial#: 0911100101162, model: G60-6G24RR-0002)	1	1	02-DEC-09		
	4524354	60" Valve Panel - 48" Griddle (Thermostat) - R/H	1	1			
		60" Valve Panel - 48" Griddle (Standard) - R/H <b>Note:</b> Switched from 4524350 to 4524354 (date: 02-Dec-09, serial#: 0911100101162, model: G60-6G24RR-0002)	1	1	02-DEC-09		
4524356	60" Valve Panel - 48" Griddle (Thermostat) - L/H	1	1				
	60" Valve Panel - 48" Griddle (Standard) - L/H <b>Note:</b> Switched from 4524352 to 4524356 (date: 02-Dec-09, serial#: 0911100101162, model: G60-6G24RR-0002)	1	1	02-DEC-09			
4524360	60" Valve Panel - 60" Griddle (Thermostat)	1	1				
	60" Valve Panel - 60" Griddle (Standard) <b>Note:</b> Switched from 4524350 to 4524360 (date: 02-Dec-09, serial#: 0911100101162, model: G60-6G24RR-0002)	1	1	02-DEC-09			
65A	4523746	2.5" Valve Panel Hole Cover (L/R Storage Base Model)	1				
66	4522564	Manifold Assembly (without Fittings)	1	1			C

\* NOT ILLUSTRATED

**RECOMMENDED STOCK PARTS**

**U.S. RANGE PARTS IDENTIFICATION**  
**U Series Gas Restaurant Ranges**  
**60" SINGLE OR DOUBLE STANDARD OVEN(S) / CABINET DOOR COMPONENTS**

ITEM	PART#	DESCRIPTION	SINGLE OVEN	DOUBLE OVENS	FROM	UP TO	CRITICAL
66A	4522421	<b>Regulator - Natural Gas 4.5" WC (1" Regulator)</b>	1	1			C
	4522422	<b>Regulator - Propane Gas 10" WC (1" Regulator)</b>	1	1			C
67	4529768	90 Deg Elbow 3/8" Pipe to 7/16" Tube	1	2			
68	G02251-1	Pressure Test Spigot	1	1			
69	2203400	1/8" NPT Pipe Plug		4			
70	4523142	.187 (3/16) Dia Tubing SIT Valve to Oven Pilot - Oven on the Left	1	1			
70A	4527220	SIT Pilot Tube Connection	1	1			
71	4523180	.187 (3/16) Dia Tubing SIT Valve to Oven Pilot - Oven on the Right	1	1			
72	4530485	.437 (7/16) Dia Tubing SIT Valve to Oven Orifice Fitting - Oven on the Left	1	1			
73	4530483	.437 (7/16) Dia Tubing SIT Valve to Oven Orifice Fitting - Oven on the Right	1	1			
74	4522774	Air Shield Pilot 26W	1	2			
75	4522773	Air Shield Solid 26W	1	2			
76	4523031	Capillary Guard 26W	1	2			
77	4523030	Bulb Guard	1	2			
78	4523194	Rail Support Bracket	2	2			
79	1082700	Harness Ring, Nickel Plated	2	4			
80	4522400	Trunion Bracket	2	4			
81	4523087	Grate Support Rail	3	3			
82	4523069	36" Drip Angle	2	2			
83	4523186	24" Drip Angle	2	2			
84	1005110	Flue Collar	1	2			
85	4522996	Tie Strap Front	1	1			
86	4522995	Tie Strap Top	1	1			
87	4524632	Support Veneer Back Standard Oven (Optional)	1	1			
88	4524630	Veneer Back S/S - 60" Standard Oven (Optional)	1	1			
89	4525164	Oven Hearth Assembly 26W x 26D <b>Note:</b> Used <b>UP TO</b> 30-Apr-08. Assembly includes an oven hearth with studs (p/n 4523325), an oven hearth baffle (p/n 4523029), and pal nuts (p/n F95). Components listed for reference only; not sold separately.				30-APR-08	
90	4524992	Oven Hearth 26W x 26D (Enamelled) <b>Note:</b> Used <b>FROM</b> 30-Apr-2008 / (serial#) 0804100101886.	1	2	30-APR-08		
91	4604121	Baffle Right 26W	1	2			
92	4604120	Baffle Left 26W	1	2			
93	4522408	Oven Rack 26W x 26D	1	2			
94	4522411	Rack Guide 26D	2	4			

\* NOT ILLUSTRATED

**RECOMMENDED STOCK PARTS**

**U.S. RANGE PARTS IDENTIFICATION**  
**U Series Gas Restaurant Ranges**  
**60" SINGLE OR DOUBLE STANDARD OVEN(S) / CABINET DOOR COMPONENTS**

ITEM	PART#	DESCRIPTION	SINGLE OVEN	DOUBLE OVENS	FROM	UP TO	CRITICAL
<b>LEGS &amp; CASTERS</b>							
200	4525074	6" Adjustable Leg, S/S		4			
201	4524104	6" Flanged Leg (Optional)		4			
202	4526324	6" Caster Package, non-adjustable (Optional) <b>Note:</b> Includes items 204, 205, 208, and installation instructions.		1			
203	4526323	6" Caster Package, adjustable (Optional) <b>Note:</b> Includes items 206, 207, 208, and installation instructions.		1			
204	4525595	6" Caster No Brake, 3/4-10 mount, non-adjustable		2			
205	4525596	6" Caster With Brake, 3/4-10 mount, non-adjustable		2			
206	4525597	6" Caster No Brake, 3/4-10 mount, adjustable		2			
207	4525598	6" Caster With Brake, 3/4-10 mount, adjustable		2			
208	4526157	Caster Washer <b>Note:</b> Used FROM serial#: 0901100100838 / date: 20-Jan-09.		4	20-JAN-09		
209	4526325	Caster Washer Kit		1			
<b>CABINET DOOR COMPONENTS - 36" STORAGE BASE MODEL</b>							
300	4524282	Door Panel Outer - 36" Storage Base	1				
301	4524283	Door Panel Inner - 36" Storage Base	1				
302	F557	5/32" Rivet - S/S (Grip Range .039" - .118")	10				
303	078056-5	Flange Bearing/Bushing	2				
304	2530900	0.375" Hole Plug	2				
305	3031900	Storage Door Handle	1				
306	4524288	Door Hinge Assembly - Right	1				
307	4524287	Door Hinge Assembly - Left	1				
308	4524284	Door Stop - 36" Door, Standard Base	1				
309	F60	Screw-10AX 5/8INTLock Quad Pan	8				
310	078174-1	Magnetic Door Catch	1				

\* NOT ILLUSTRATED

**RECOMMENDED STOCK PARTS**



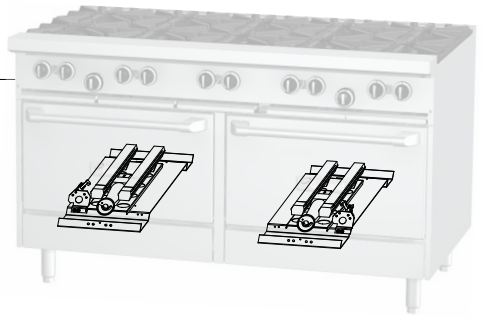
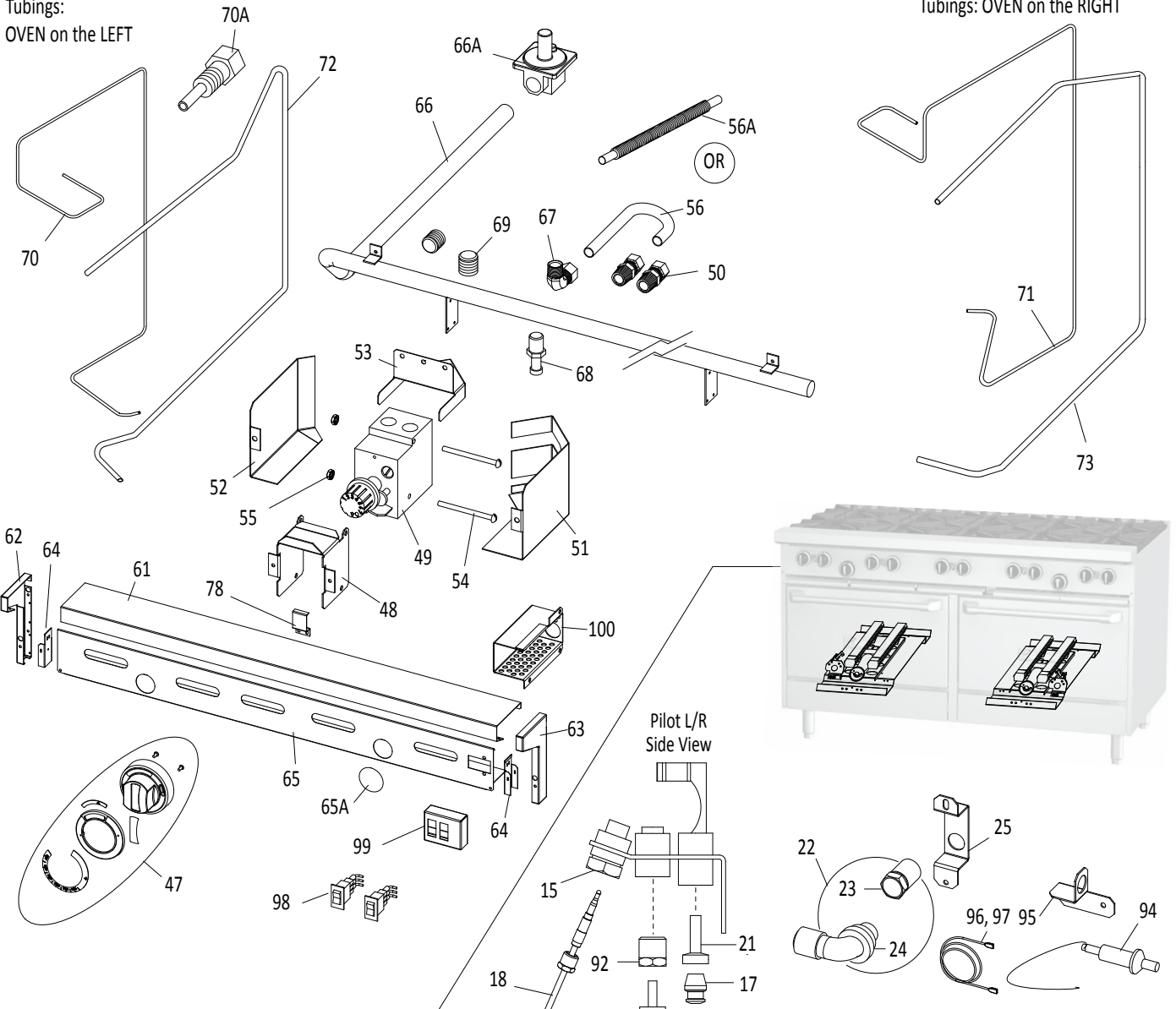
Blank Page

# U.S. Range® 60" SINGLE OR DOUBLE CONVECTION OVEN(S)/CABINET DOOR(1 OF 2)

## U Series Gas Restaurant Ranges

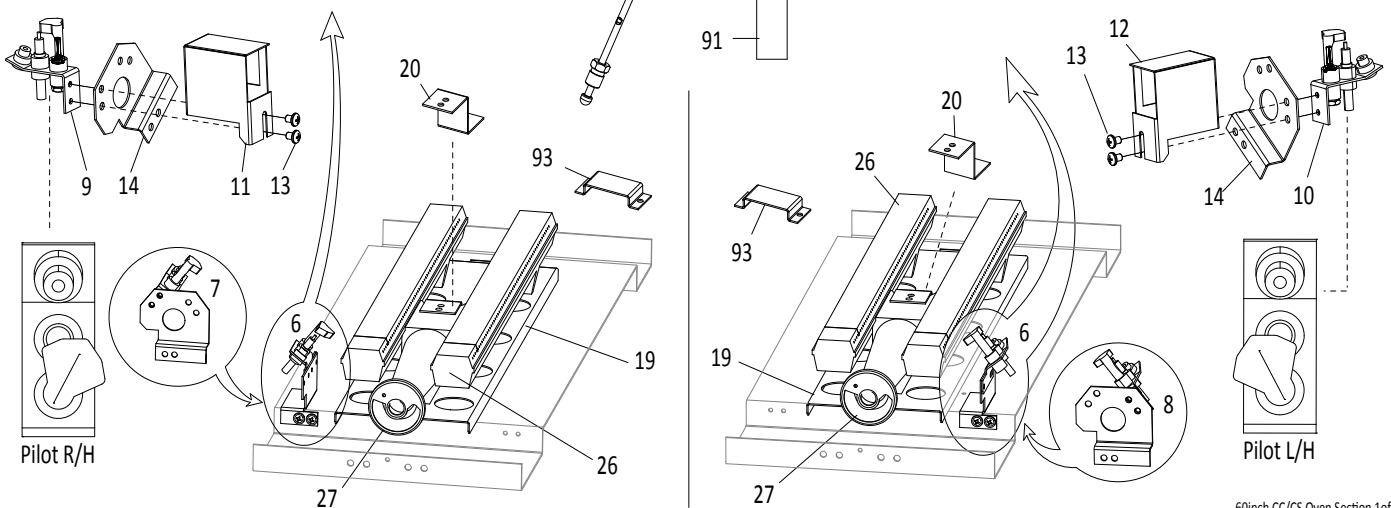
Tubings:  
OVEN on the LEFT

Tubings: OVEN on the RIGHT



OVEN on the LEFT

OVEN on the RIGHT

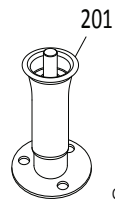
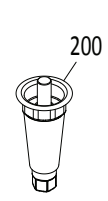
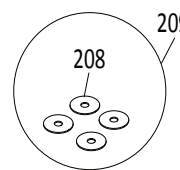
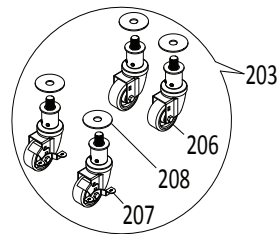
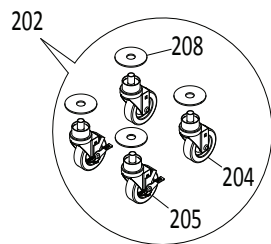
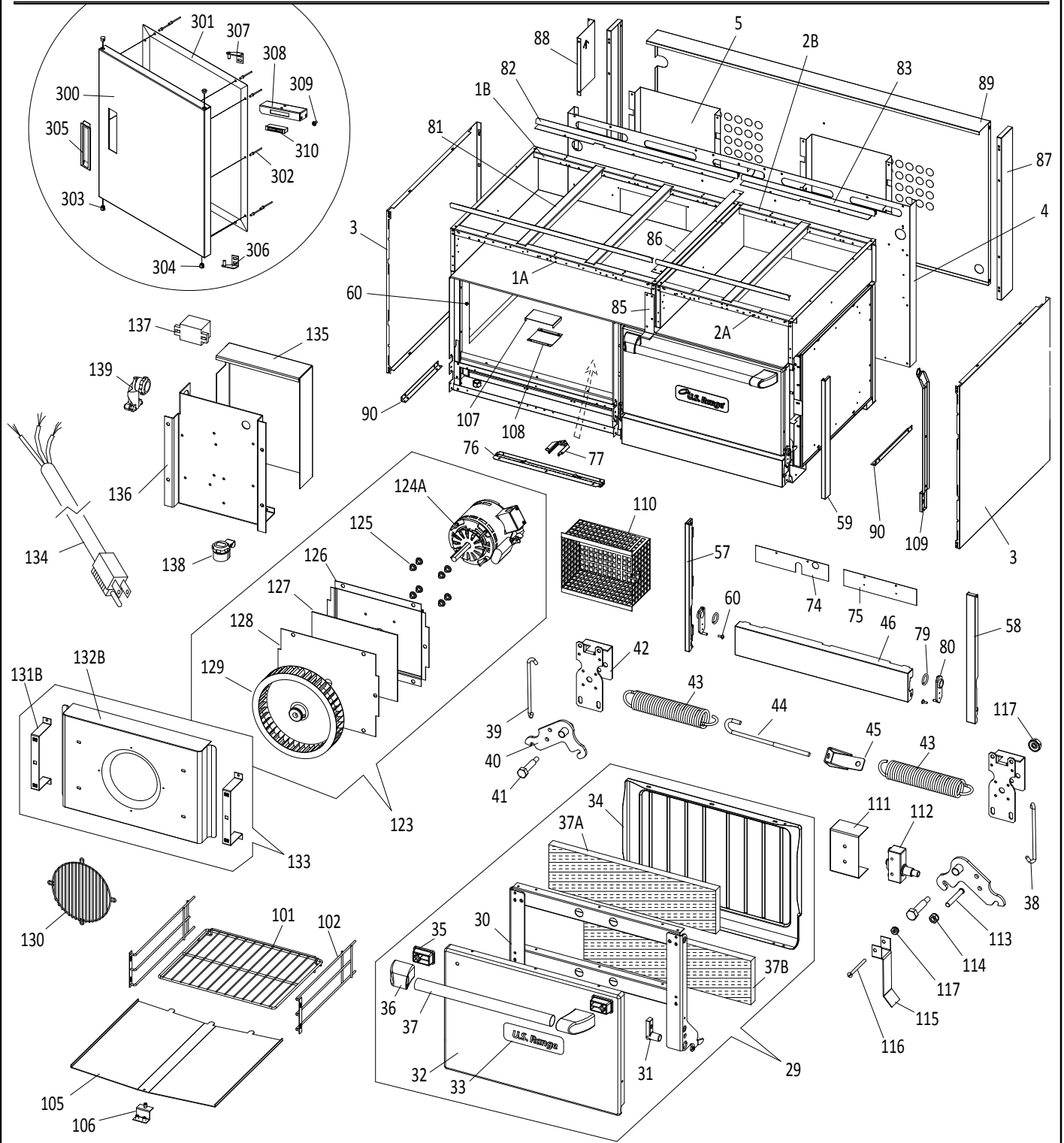


60Inch CC/CS Oven Section 1of2

U Series Gas Restaurant Ranges



60" SINGLE OR DOUBLE CONVECTION OVEN(S)/CABINET DOOR(2 OF 2)



G60 CC/CS Oven Section 2of2

**U.S. RANGE PARTS IDENTIFICATION**  
**U Series Gas Restaurant Ranges**  
**60" SINGLE / DOUBLE CONVECTION OVEN(S) & CABINET DOOR COMPONENTS**

ITEM	PART#	DESCRIPTION	SINGLE OVEN	DOUBLE OVENS	FROM	UP TO	CRITICAL
1A	4523068	36" Main Channel – Front	1	1			
1B	4525530	36" Main Channel – Rear	1	1			
2A	4523184	24" Main Channel – Front	1	1			
2B	4525529	24" Main Channel – Rear	1	1			
3	4522764	Body Side Lt/Rt	2	2			
4	4523024	Main Back - 2 Convection Ovens	1	1			
	4523025	Main Back - Convection Oven on L/H or 1 Std Oven on R/ 1 Convection on L	1	1			
	4523026	Main Back - Convection Oven on R/H or 1 Std Oven on L/1 Convection on R	1	1			
5	4522930	Flue Riser RC Oven	1	2			
6		Right/Left Pilot Assembly and Right/Left Pilot Bracket <b>Note:</b> Used <b>UP TO</b> (date) Jan 29, 2008 / (serial#) 0801100101981. When servicing, <b>IMPORTANT</b> to replace the pilot assemblies and brackets <b>with Range Oven Pilot Kits</b> (see items <b>7 and 8</b> ).				29-JAN-08	
7	<b>4524826</b>	<b>Range Oven Pilot Kit Natural Gas, on L/H Side of Burner (for the oven on the Left)</b>	1	1	30-JAN-08		
	<b>4524828</b>	<b>Range Oven Pilot Kit Propane Gas, on L/H Side of Burner (for the oven on the Left)</b>	1	1	30-JAN-08		
8	<b>4524825</b>	<b>Range Oven Pilot Kit Nat Gas on R/H Side of Burner (Oven on Right)</b>	1	1	30-JAN-08		
	<b>4524827</b>	<b>Range Oven Pilot Kit Pro Gas on R/H Side of Burner (Oven on Right)</b>	1	1	30-JAN-08		
9	<b>2200700</b>	<b>Pilot R/H #0.145.010, for Oven on the Left (Mounted on L/H Side of Burner)</b>	1	1	12-JUN-08		C
10	<b>2200701</b>	<b>Pilot L/H #0.145.007, for Oven on the Right (Mounted on R/H Side of Burner)</b>	1	1	12-JUN-08		C
11	4525285	Oven Pilot Shield L/H, for 2200700 Pilot R/H <b>Note:</b> Used <b>FROM</b> (serial#) 0806100100492 / (model) G36-6R-0022.	1	1	12-JUN-08		
12	4525300	G/U Oven Pilot Shield R/H, for 2200701 Pilot L/H <b>Note:</b> Used <b>FROM</b> (serial#) 0806100100492 / (model) G36-6R-0022.	1	1	12-JUN-08		
13	F440	#10-32 x 1/4" Screw					
14	4524677	Pilot Bracket <b>Note:</b> Used <b>FROM</b> (serial#) 0801100101981.	1	2	30-JAN-08		
15	<b>2200706</b>	<b>Thermocouple Retaining Nut</b>	1	2			C
16	<b>2200704</b>	<b>3/16" Compression Nut - Oven Pilot</b>	1	2			C
17	<b>2200705</b>	<b>3/16" Ferrule - Oven Pilot</b>	1	2			C
18	<b>4523506</b>	<b>Thermocouple Oven 60"</b>	1	2			C
19	4522763	Oven Burner Rest	1	2			
20	2512200	Burner Hold Down Bracket	1	2			
21	<b>2200702</b>	<b>Pilot Orifice #32 Natural Gas</b>	1	2			C
	<b>2200703</b>	<b>Pilot Orifice #23 Propane</b>	1	2			C
22	<b>1415530F</b>	<b>Oven Orifice Fitting w/#30 Hood (Natural Gas)</b>	1	2			C
	<b>1415550F</b>	<b>Oven Orifice Fitting w/#50 Hood (Propane)</b>	1	2			C
23	<b>M9-30</b>	<b>Large Orifice #30 Natural Gas</b>	1	2			C
	<b>M9-50</b>	<b>Large Orifice #50 Propane</b>	1	2			C
24	<b>14155XX</b>	<b>Oven Orifice Fitting (without orifice)</b>	1	2			C

\* NOT ILLUSTRATED

**RECOMMENDED STOCK PARTS**  
Page 52

U\_GMD\_PL\_RANGESUSERIES\_USERIES (Rev 21)

**U.S. RANGE PARTS IDENTIFICATION**  
**U Series Gas Restaurant Ranges**  
**60" SINGLE / DOUBLE CONVECTION OVEN(S) & CABINET DOOR COMPONENTS**

ITEM	PART#	DESCRIPTION	SINGLE OVEN	DOUBLE OVENS	FROM	UP TO	CRITICAL
25	4522781	Orifice Bracket Oven	1	2			
26	4525464	H - Burner with Air Shutter Assembly (Partially Ported) <b>Note:</b> Assembly includes a cast iron H-burner (p/n 1014901) and an air shutter (item 27).	1	2			
27	2512100	Oven Burner Air Shutter (included in burner asm item# 26)	1	2			
29	4525052	US Range 26W Oven Door Assembly	1	2			
30	4522769	Door Frame Assembly 26W	1	2			
31	1082500	Oven Door Trunion	2	4			
32	4522737	Oven Door Panel 26W (with holes)	1	2			
33	4529726	US Range Logo - Large	1	2			
34	4522377	Oven Door Liner 26W	1	2			
35	4522407	Door Handle End Insulator	2	4			
36A	4522404	Door Handle End	2	4	9-SEP-09		
36B*	4525584	Door Handle Kit 26W US Range Oven <b>Note:</b> Use this Kit for units manufactured from 21-NOV-2008 to 8-SEP-2009. Kit includes items 35, 36A, 37, and fasteners.	1	2			
36C*	4524912	Door Handle End, Aluminum, US Range <b>Note:</b> This item is <b>No Longer Available</b> . Use Handle Kit 4525584 (item 36B) for an unit manufactured from (dates) 21-NOV-2008 to 8-SEP-2009 / (serial#) 0811100101067 / (model) U36-6C-0004.			NLA	NLA	
37	4522644	Door Handle 26W	1	2			
37A	4522789	Insulation, Door Filler 26W	2	4			
37B	4522788	Insulation, Door Brace 26W	2	4			
38	1082802	Hinge Link Rt	1	2			C
39	1082803	Hinge Link Lt	1	2			C
40	4522772	Bell Crank Assembly	2	4			
41	F299	Bolt 1/4-20 x 1/2" Bell Crank	2	4			
42	4522818	Bell Crank Support Bracket	2	4			
43	1005800	Oven Door Spring	2	4			C
44	4523497	6" Long J-Bolt (F598)	1	2			C
45	4526109	Door Spring Adjustment Bracket	1	2			
46	4522770	Kick Panel 26W	1	2			
47	<b>4524668</b>	<b>Knob Assembly - Oven SIT Deg F</b>	1	2			C
	<b>4524669</b>	<b>Knob Assembly - Oven SIT Deg C</b>	1	2			C
48	4523081	SIT Shield Mount	1	2			
49	<b>CK4603990</b>	<b>SIT Oven Control 1.0MM Min Rate Screw Service Kit (Natural Gas) (From S/N 1903100101182)</b>	1	2			C
	<b>CK4531688</b>	<b>SIT CONTROL SUNFIRE PRO WITH 0.8MM BYPASS (Propane) (From S/N 1903100101177)</b>	1	2			C
50	1095499	Straight Connector 7/16"	2	4			
51	4523079	SIT Shield Right	1	2			
52	4523080	SIT Shield Left	1	2			
53	4523499	SIT Shield Top	1	2			
54	F16	SIT to Manifold Mounting Bolts (#10-24 Round Head x 2-1/2" Long)	2	4			
55	F312	SIT to Manifold Mounting Lock Nut (#10-24, K-Lock Nut)	2	4			
56	4523145	Tube - SIT to Manifold	1	2			

\* NOT ILLUSTRATED

**RECOMMENDED STOCK PARTS**

**U.S. RANGE PARTS IDENTIFICATION**  
**U Series Gas Restaurant Ranges**  
**60" SINGLE / DOUBLE CONVECTION OVEN(S) & CABINET DOOR COMPONENTS**

ITEM	PART#	DESCRIPTION	SINGLE OVEN	DOUBLE OVENS	FROM	UP TO	CRITICAL
56A	4520720	7/16" Flexible Tubing Sit To Manifold <b>NOTE:</b> Only used for models with a 12" griddle mounted on the L/H side of the range.	1	1			
57	4522990	Corner Column Left	1	1			
58	4522993	Center Column	1	1			
59	4522991	Corner Column Right	1	1			
60	F298N	Bolt 10-24 X 3/8" Long Shoulder Truss Head, Nickel Plated	4	8			
61	4523198	60" Plate Rail	1	1			
62	4523073	Valve Panel End Cap Left	1	1			
63	4523074	Valve Panel End Cap Right	1	1			
64	4526110	Burner Box Filler	2	2			
65	4523862	60" Valve Panel - All (10) Open Top Burners	1	1			
	4524150	60" Valve Panel - 12" Griddle (Thermostat) - R/H	1	1			
		60" Valve Panel - 12" Griddle (Standard) - R/H <b>Note:</b> Switched from 4523862 to 4524150 (date: 02-Dec-09, serial#: 0911100101162, model: G60-6G24RR-0002)	1	1	02-DEC-09		
	4524153	60" Valve Panel - 12" Griddle (Thermostat) - L/H	1	1			
		60" Valve Panel - 12" Griddle (Standard) - L/H <b>Note:</b> Switched from 4523862 to 4524153 (date: 02-Dec-09, serial#: 0911100101162, model: G60-6G24RR-0002)	1	1	02-DEC-09		
	4523978	60" Valve Panel - 24" Griddle (Thermostat) - R/H	1	1			
		60" Valve Panel - 24" Griddle (Standard) - R/H <b>Note:</b> Switched from 4523947 to 4523978 (date: 02-Dec-09, serial#: 0911100101162, model: G60-6G24RR-0002)	1	1	02-DEC-09		
	4523955	60" Valve Panel - 24" Griddle (Thermostat) - L/H	1	1			
		60" Valve Panel - 24" Griddle (Standard) - L/H <b>Note:</b> Switched from 4523953 to 4523955 (date: 02-Dec-09, serial#: 0911100101162, model: G60-6G24RR-0002)	1	1	02-DEC-09		
	4523946	60" Valve Panel - 36" Griddle (Thermostat) - R/H	1	1			
		60" Valve Panel - 36" Griddle (Standard) - R/H <b>Note:</b> Switched from 4523947 to 4523946 (date: 02-Dec-09, serial#: 0911100101162, model: G60-6G24RR-0002)	1	1	02-DEC-09		
	4523952	60" Valve Panel - 36" Griddle (Thermostat) - L/H	1	1			
		60" Valve Panel - 36" Griddle (Standard) - L/H <b>Note:</b> Switched from 4523950 to 4523952 (date: 02-Dec-09, serial#: 0911100101162, model: G60-6G24RR-0002)	1	1	02-DEC-09		
	4524355	60" Valve Panel - 48" Griddle (Thermostat) - R/H	1	1			
60" Valve Panel - 48" Griddle (Standard) - R/H <b>Note:</b> Switched from 4524351 to 4524355 (date: 02-Dec-09, serial#: 0911100101162, model: G60-6G24RR-0002)		1	1	02-DEC-09			
4524357	60" Valve Panel - 48" Griddle (Thermostat) - L/H	1	1				
	60" Valve Panel - 48" Griddle (Standard) - L/H <b>Note:</b> Switched from 4524353 to 4524357 (date: 02-Dec-09, serial#: 0911100101162, model: G60-6G24RR-0002)	1	1	02-DEC-09			
4524361	60" Valve Panel - 60" Griddle (Thermostat)	1	1				
	60" Valve Panel - 60" Griddle (Standard) <b>Note:</b> Switched from 4524351 to 4524361 (date: 02-Dec-09, serial#: 0911100101162, model: G60-6G24RR-0002)	1	1	02-DEC-09			
65A	4523746	2.5" Valve Panel Hole Cover (L/R Storage Base Model)	1				
66	4522562	Manifold Assembly (without Fittings)	1	1			C

\* NOT ILLUSTRATED



**U.S. RANGE PARTS IDENTIFICATION**  
**U Series Gas Restaurant Ranges**  
**60" SINGLE / DOUBLE CONVECTION OVEN(S) & CABINET DOOR COMPONENTS**

ITEM	PART#	DESCRIPTION	SINGLE OVEN	DOUBLE OVENS	FROM	UP TO	CRITICAL
66A	<b>4522421</b>	<b>Regulator - Natural Gas 4.5" WC (1" Regulator)</b>	1	1			C
	<b>4522422</b>	<b>Regulator - Propane Gas 10" WC (1" Regulator)</b>	1	1			C
67	4529768	90 Deg Elbow 3/8" Pipe to 7/16" Tube	1	2			
68	G02251-1	Pressure Test Spigot	1	1			
69	2203400	1/8" NPT Pipe Plug		2			
70	4529764	.187 (3/16) Dia Tubing SIT Valve to Oven Pilot - Oven on the Left	1	1			
70A	4527220	SIT Pilot Tube Connection	1	1			
71	4529765	.187 (3/16) Dia Tubing SIT Valve to Oven Pilot - Oven on the Right	1	1			
72	4530485	.437 (7/16) Dia Tubing SIT Valve to Oven Orifice Fitting - Oven on the Left	1	1			
73	4530483	.437 (7/16) Dia Tubing SIT Valve to Oven Orifice Fitting - Oven on the Right	1	1			
74	4522774	Air Shield Pilot 26W	1	2			
75	4522773	Air Shield Solid 26W	1	2			
76	4523031	Capillary Guard 26W	1	2			
77	4523030	Bulb Guard	1	2			
78	4523194	Rail Support Bracket	2	2			
79	1082700	Harness Ring, Nickel Plated	2	4			
80	4522400	Trunion Bracket	2	4			
81	4523087	Grate Support Rail	3	3			
82	4523069	36" Drip Angle	2	2			
83	4523186	24" Drip Angle	2	2			
85	4522996	Tie Strap Front	1	1			
86	4522995	Tie Strap Top	1	1			
87	4524629	Extension RC S/S Veneer Back (Optional)	2	2			
88	4524633	Veneer Support - 60" RC Oven (Optional)	1	1			
89	4524631	Veneer Back S/S 60" RC Oven (Optional)	1	1			
90	4523027	Retention Bracket 60" Convection Oven	2	2			
91	<b>2200708</b>	<b>Electrode #0.915.025</b>	1	2			C
92	<b>2200707</b>	<b>Nut, Electrode #0.974.144</b>	1	2			C
93	4512234	Burner Support Track	1	2			
94	<b>1309201</b>	<b>Piezo Ignitor</b>	1	2			C
95	4518193	Piezo Support Bracket	1	2			
96	CK2200211	12" High Tension Wire Leads	1	2			
97	G03883R	Thermoflex Insulating Sleeve (sold by the foot.)	12"	24"			
98	1358900	Convection Oven Power Switch (on/off/on)	1	2			C
99	4524317	Convection Oven Extension Box C	1				
	4524316	Convection Oven Extension Box CC		1			
100	4523222	Convection Oven Switch Box	1	1			
101	4522409	Oven Rack 26W x 22D	3	6			
102	4522413	Rack Guide - Convection Oven	2	4			
105	4522949	Fire Plate RC Oven	1	2		28-MAY-08	
	4524459	Fire Plate RC Oven <b>Note:</b> Used <b>FROM</b> serial# 0805100101613	1	2	29-MAY-08		
106	4522950	Fire Plate Support Bracket Assembly	1				
107	1412300	Vent Slide	1	2			
108	1412400	Vent Slide Housing	1	2			

\* NOT ILLUSTRATED

**RECOMMENDED STOCK PARTS**

**U.S. RANGE PARTS IDENTIFICATION**  
**U Series Gas Restaurant Ranges**  
**60" SINGLE / DOUBLE CONVECTION OVEN(S) & CABINET DOOR COMPONENTS**

ITEM	PART#	DESCRIPTION	SINGLE OVEN	DOUBLE OVENS	FROM	UP TO	CRITICAL
109	4524280	Wire Channel	1				
110	2519799	Motor Guard	1	2			
111	4522932	Door Switch Cover, Convection Oven	1	2			
112	1019600	Door Switch, Convection Oven	1	2			C
113	G01503-16	1/4-20 x 1-3/4" Long Weld Stud	1	2			
114	F86	1/4 - 20 K-Lock Nut	1	2			
115	4524808	Hinge - RC Door Switch	1	2			
116	F599	#6-32 x 1-1/2" Machine Screw	1	2			
117	F590	#6-32 K-Lock Nut	2	4			
123	<b>4515043</b>	<b>RC Motor Assembly Kit 115V</b> <b>Note: Kit includes items 124A, 125 - 129.</b>	1	2			C
124A	<b>2485801</b>	<b>RC Motor 1/3 HP, 115V, 60Hz</b>	1	2			C
124B*	<b>2485800</b>	<b>RC Motor 1/3 HP, 208/240V, 50/60 Hz</b>	1	2			C
125	G01503-3	1/4 - 20 Weld Nut	8	16			
126	3013301	Motor Mount Pocket	1	2			
127	1669101	Motor Pocket Insulation Board	1	2			
128	3013401	Motor Mount Plate	1	2			
129	G02952-01P	Blower Wheel Assembly (Plated)	1	2			
130	2520100	Fan Protector Screen	1	2			
131A*	1361298	Bracket, Air Baffle Support <b>Note: A unit manufactured UP TO 23-Jan-09 requires Kit (item# 133).</b>	2	2		23-JAN-09	
131B	4526160	Air Baffle Support Bracket Assy with Care Nuts	2	2	24-JAN-09		
132A*	4525267	Air Baffle <b>Note: A unit manufactured UP TO 23-Jan-09 requires Kit (item# 133).</b>	1	1		23-JAN-09	
132B	4526161	Air Baffle	1	1	24-JAN-09		
133	4526164	Convection Oven Air Baffle Kit <b>Note: This Kit can be used on unit manufactured before or after 23-Jan-09. Kit includes items 116B &amp; 117B.</b>	1	1			
134	4523398	Cord & Plug 6Ft. 3/4GA / 15Amp / SJ00W	1	1			
135	4530070	Terminal Box	1	1			
136	4530071	Terminal Box Cover	1	1			
137	3050401	Miniature Terminal Black Assy 3-P (for 208V/240V unit)	1	1			
138	G01497-1	B/X Connector Straight 3/8"	1	1			
139	1028500	B/X Connector 90 Degrees 3/8"	1	1			

\* NOT ILLUSTRATED

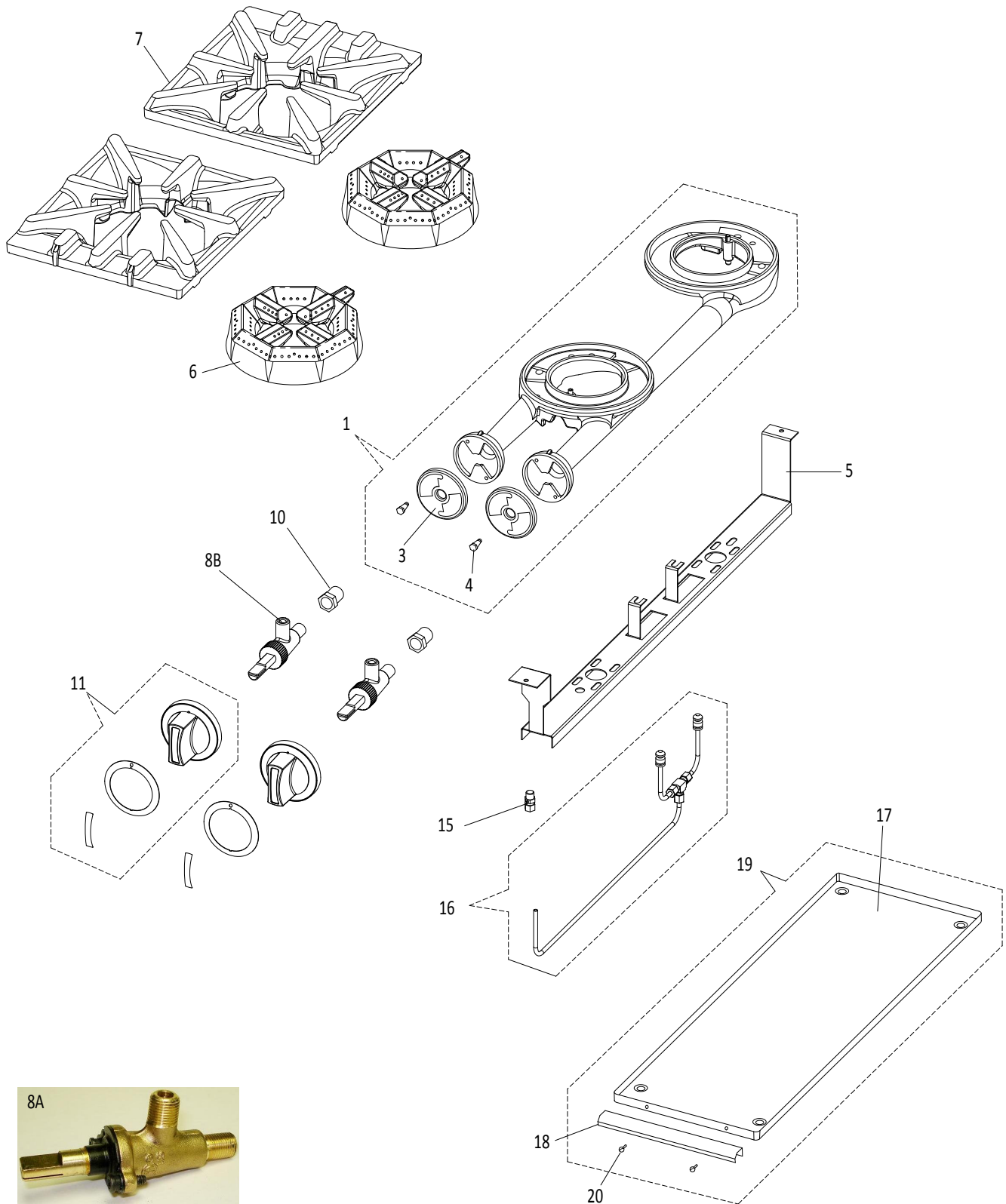
**RECOMMENDED STOCK PARTS**

**U.S. RANGE PARTS IDENTIFICATION**  
**U Series Gas Restaurant Ranges**  
**60" SINGLE / DOUBLE CONVECTION OVEN(S) & CABINET DOOR COMPONENTS**

ITEM	PART#	DESCRIPTION	SINGLE OVEN	DOUBLE OVENS	FROM	UP TO	CRITICAL
<b>LEGS &amp; CASTERS</b>							
200	4525074	6" Adjustable Leg, S/S		4			
201	4524104	6" Flanged Leg (Optional)		4			
202	4526324	6" Caster Package, non-adjustable (Optional) <b>Note:</b> Includes items 204, 205, 208, and installation instructions.		1			
203	4526323	6" Caster Package, adjustable (Optional) <b>Note:</b> Includes items 206, 207, 208, and installation instructions.		1			
204	4525595	6" Caster No Brake, 3/4-10 mount, non-adjustable		2			
205	4525596	6" Caster With Brake, 3/4-10 mount, non-adjustable		2			
206	4525597	6" Caster No Brake, 3/4-10 mount, adjustable		2			
207	4525598	6" Caster With Brake, 3/4-10 mount, adjustable		2			
208	4526157	Caster Washer <b>Note:</b> Used FROM serial#: 0901100100838 / date: 20-Jan-09.		4	20-JAN-09		
209	4526325	Caster Washer Kit		1			
<b>CABINET DOOR COMPONENTS - 36" STORAGE BASE MODEL</b>							
300	4524282	Door Panel Outer - 36" Storage Base	1				
301	4524283	Door Panel Inner - 36" Storage Base	1				
302	F557	5/32" Rivet - S/S (Grip Range .039" - .118")	10				
303	078056-5	Flange Bearing/Bushing	2				
304	2530900	0.375" Hole Plug	2				
305	3031900	Storage Door Handle	1				
306	4524288	Door Hinge Assembly - Right	1				
307	4524287	Door Hinge Assembly - Left	1				
308	4524284	Door Stop - 36" Door, Standard Base	1				
309	F60	Screw-10AX 5/8INTLock Quad Pan	8				
310	078174-1	Magnetic Door Catch	1				

\* NOT ILLUSTRATED

**RECOMMENDED STOCK PARTS**



**U.S. RANGE PARTS IDENTIFICATION**  
**U Series Gas Restaurant Ranges**

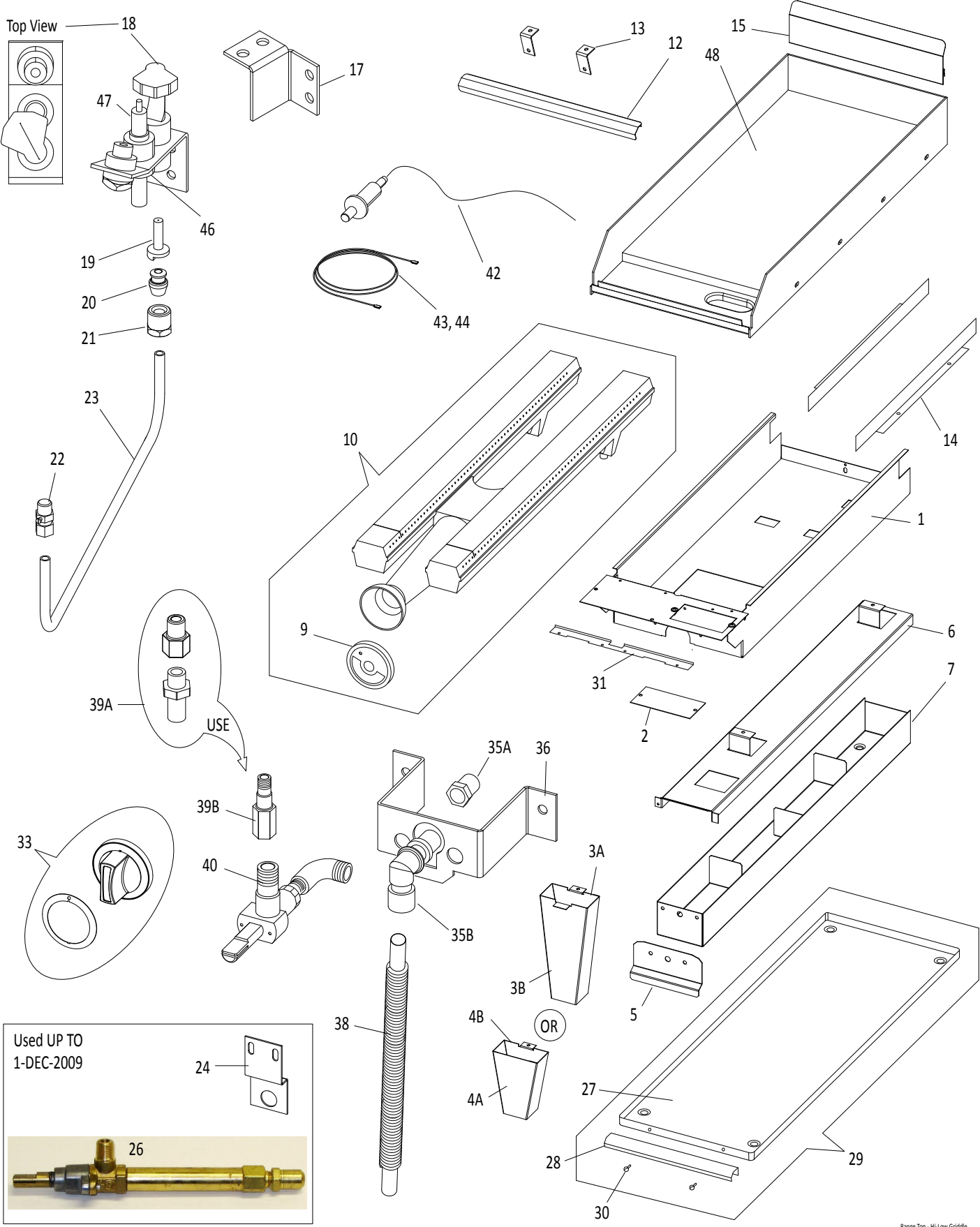
**OPEN TOP BURNERS**

ITEM	PART #	DESCRIPTION	OPEN TOP SECTION					CRITICAL
			12"	24"	36"	48"	60"	
1	4522264	Dual Venturi Housing Base Assembly	1	2	3	4	5	
3	4522266	Air Shutter - Open Top	2	4	6	8	10	
4	F43	10-24 x 3/8" Hex Washer Head Screw	2	4	6	8	10	
5	4523090	Open Top Burner Rest	1	2	3	4	5	
6	4522271	Open Burner Head, US Range	2	4	6	8	10	
7	4522268	Open Top Grate, US Range	2	4	6	8	10	
8A	<b>26878xx</b>	<b>Open Burner Valve, no Hood</b> <b>Note:</b> Used <b>UP TO</b> (date) 2-May/12 (model) G36-6R-0005 / U36-6C-0014 (serial#) 1204100101467 / 1204100101482	2	4	6	8	10	C
8B	<b>4530671</b>	<b>Open Burner Valve, no Hood</b> <b>Note:</b> Used <b>FROM</b> (date) 2-May/12 (model) G36-6R-0005 / U36-6C-0014 (serial#) 1204100101467 / 1204100101482	2	4	6	8	10	C
10	<b>M8-37</b>	<b>Open Top Orifice - Natural Gas #37</b>	2	4	6	8	10	C
	<b>M8-53</b>	<b>Open Top Orifice - Propane Gas #53</b>	2	4	6	8	10	C
11	<b>4524670</b>	<b>Knob Assembly</b>	2	4	6	8	10	C
15	1086597	Pilot Gum Valve	1	2	3	4	5	
16	4523127	Open Top Pilot Tube Assembly	1	2	3	4	5	
17	4522401	Crumb Tray	1	2	3	4	5	
18	4522402	Crumb Tray Trim	1	2	3	4	5	
19	4523334	Crumb Tray Assembly	1	2	3	4	5	
20	F554	Rivet .125" Dia. SS						

\* NOT ILLUSTRATED

**RECOMMENDED STOCK PARTS**

U Series Gas Restaurant Ranges  
**HI / LOW GRIDDLE TOP (12" SECTION SHOWN)**



Range Top - Hi-Low Griddle



## U.S. RANGE PARTS IDENTIFICATION

### U Series Gas Restaurant Ranges

#### HI / LOW GRIDDLE TOP

ITEM	PART#	DESCRIPTION	GRIDDLE SIZE							FROM	UP TO	CRITICAL
			12"	24"	36" (RIGHT)	36" (LEFT)	48" (RIGHT)	48" (LEFT)	60"			
1	4525514	Hot Top / Griddle Burner Box	1	2	3	3	4	4	5			
2	4524158	Griddle / Hot Box Patch		1	2	2	2	2	3			
3A	4524326	12" Chute Rear Plate	1									
3B	4524325	12" Grease Chute Funnel	1									
4A	4523219	Grease Chute Rear Plate		1	1	1	2	2	2			
4B	4523218	Grease Chute Funnel		1	1	1	2	2	2			
5	4523217	Grease Drawer Handle		1	1	1	2	2	2			
6	4523221	Grease Drawer Shield		1	1	1	2	2	2			
7	4523493	Grease Drawer Assembly		1	1	1	2	2	2			
9	1028002	Air Shutter - Hot Top / Griddle	1	2	3	3	4	4	5			
10	4525463	H-Burner W/Shutter Assembly (Partially Ported) <b>Note:</b> Assembly includes a partially ported cast iron H-Burner (part# 1014901) and an Air Shutter (item# 9).	1	2	3	3	4	4	5			
12	4524416	False Trim 6" (For a 60" unit w/ a 48" Griddle Left)						1				
	4524414	False Trim 12" (For a 48" Unit w/ a 36" Griddle Left or a 60" unit w/ a 48" Griddle Left)				1		1				
	4523552	False Trim 16"		1		1		1				
	4523690	False Trim 17" (For a 36" units w/ a 24" Griddle Right)		1								
	4524412	False Trim 18"					1		1			
	4523528	False Trim 28" (For a 36" unit w/ a 36" Griddle or a 60" unit w/ a 60" Griddle & 60"Unit W/36 Griddle Left )				1	1			1		
	4523516	False Trim 29" (For a 48" or a 60" unit w/ a 36" Griddles Right)				1						
13	4523519	False Trim Bracket		2	2	2	4	6	4			
14	4525515	Burner Side Deflector	2	4	6	6	8	8	10			
15	4523418	Rear Griddle Splash Guard - 12"	1									
	4523419	Rear Griddle Splash Guard - 24"		1								
	4523420	Rear Griddle Splash Guard - 36"			1	1						
	4523421	Rear Griddle Splash Guard - 48"					1	1				
	4523422	Rear Griddle Splash Guard - 60"								1		
17	4525503	SIT Pilot Bracket	1	2	3	3	4	4	5			
18	<b>2200701</b>	<b>Pilot L/H #0.145.007</b>	1	2	3	3	4	4	5			C
19	<b>2200702</b>	<b>Pilot Orifice #32 (Natural Gas)</b>	1	2	3	3	4	4	5			C
	<b>2200703</b>	<b>Pilot Orifice #23 (Propane Gas)</b>	1	2	3	3	4	4	5			C
20	<b>2200705</b>	<b>3/16" Ferrule - Pilot</b>	1	2	3	3	4	4	5			C
21	<b>2200704</b>	<b>3/16" Compression Nut - Pilot</b>	1	2	3	3	4	4	5			C
22	1086597	Pilot Gum Valve	1	2	3	3	4	4	5			
23	4523286	3/16 Tubing Pilot to Gum Valve	1	2	3	3	4	4	5			
24	4523483	Hot Top Valve Ext. Support	1	2	3	3	4	4	5		1-DEC-09	
26	<b>1086580</b>	<b>Hi-Low Valve Assembly Natural Gas #47 w/ Extension &amp; Orifice</b>	1	2	3	3	4	4	5		1-DEC-09	C
	<b>1086595</b>	<b>Hi-Low Valve Assembly Propane Gas #1.3mm w/ Extension &amp; Orifice</b>	1	2	3	3	4	4	5		1-DEC-09	C
27	4522401	Crumb Tray	1									
28	4522402	Crumb Tray Trim	1									

\* NOT ILLUSTRATED

#### **RECOMMENDED STOCK PARTS**

## U.S. RANGE PARTS IDENTIFICATION

### U Series Gas Restaurant Ranges

#### HI / LOW GRIDDLE TOP

ITEM	PART#	DESCRIPTION	GRIDDLE SIZE							FROM	UP TO	CRITICAL
			12"	24"	36" (RIGHT)	36" (LEFT)	48" (RIGHT)	48" (LEFT)	60"			
29	4523334	Crumb Tray Assembly	1									
30	F554	Rivet .125" Dia. SS	1									
31	4525512	Griddle Box Heat Shield	1	2	3	3	4	4	5			
33	<b>4524671</b>	<b>Hi-Lo Griddle Knob Assembly</b>	1	2	3	3	4	4	5			C
35A	<b>M8-47</b>	<b>Hot Top/Griddle Orifice - Natural Gas #47</b>	1	2	3	3	4	4	5			C
	<b>M8-1.3mm</b>	<b>Hot Top/Griddle Orifice - Propane Gas #1.3mm</b>	1	2	3	3	4	4	5			C
35B	<b>G02486XX</b>	<b>Orifice Fitting (without orifice)</b> <b>Note:</b> Used <b>FROM</b> serial#: 0911100101162 / model: G60-6G24RR-0002 / date: date: 2-Dec-09	1	2	3	3	4	4	5	2-DEC-09		C
35C*	<b>G02486-47F</b>	<b>Orifice Fitting 47F - Natural Gas</b>	1	2	3	3	4	4	5			C
	<b>G02486-1300</b>	<b>Orifice Fitting 1.3mm - Propane Gas</b>	1	2	3	3	4	4	5			C
36	4527389	Orifice Bracket <b>Note:</b> Used <b>FROM</b> serial#: 0911100101162 / model: G60-6G24RR-0002 / date: 2-Dec-09	1	2	3	3	4	4	5	2-DEC-09		
38	<b>IMPORTANT:</b> Production switched from 12" flex tubing to 6" as of 22-Jan/10. The 6" version is sufficient. Use part 4525331 (6") on any unit manufactured between dates 2-Dec-09 and 21-Jan-10.											
	4521446	1/4" Flex Tubing, 12" Long (Valve to Orifice Fitting) <b>Note:</b> Used <b>FROM</b> serial#: 0911100101162 / model: G60-6G24RR-0002	1	2	3	3	4	4	5	2-DEC-09	21-JAN-10	
	4525331	1/4" Flex Tubing, 6" Long, S/S (Valve to Orifice Fitting)	1	2	3	3	4	4	5	22-JAN-10		
39A	4524442	1/8 NPT Hex Pipe Nipple										
	4527682	Coupling 1/8 NPT Brass										
<b>Note:</b> Part 4527831 (item 39B) replaced both 4524442 and 4527682.												
39B	<b>4527831</b>	<b>Extension 1/8" NPT Male To NPT Female Brass</b> <b>Note:</b> Replaced item 39A (Nipple and Coupling)	1	2	3	3	4	4	5			C
40	<b>G02599-01</b>	<b>HI-LOW Valve with 90 Degree Elbow</b> <b>Note:</b> Used <b>FROM</b> date: 2-DEC-2009 / serial#: 0911100101162 / model: G60-6G24RR-0002.	1	2	3	3	4	4	5	2-DEC-09		C
42	<b>1309201</b>	<b>Piezo Igniter #1244-41</b>	1	2	3	3	4	4	5			C
43	<b>CK2200211</b>	<b>12" High Tension Wire</b>	1	2	3	3	4	4	5			C
44	G03883R	Thermo Flex Insulating Sleeve (sold by the foot) - 12" required for each electrode										
46	<b>2200707</b>	<b>Nut, Electro</b>	1	2	3	3	4	4	5			C
47	<b>2200708</b>	<b>Electro</b>	1	2	3	3	4	4	5			C

\* NOT ILLUSTRATED

**RECOMMENDED STOCK PARTS**

## U.S. RANGE PARTS IDENTIFICATION

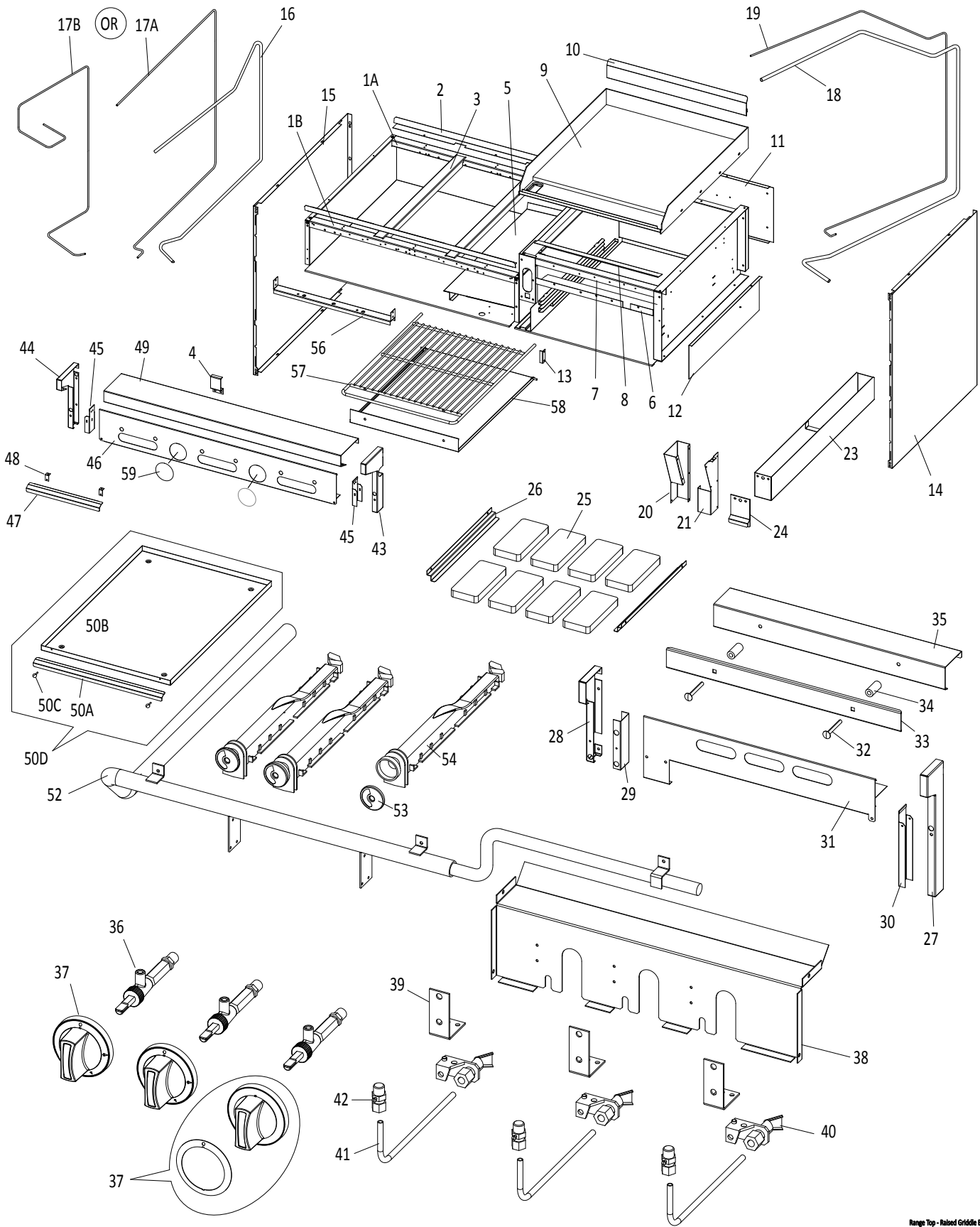
### U Series Gas Restaurant Ranges

#### HI / LOW GRIDDLE TOP

ITEM	PART#	DESCRIPTION	GRIDDLE SIZE						FROM	UP TO	CRITICAL
			12"	24"	36" (RIGHT)	36" (LEFT)	48" (RIGHT)	48" (LEFT)			
48	4523235	12" Griddle Assembly	1								
	4523780	12" Griddle Assembly (Fully Grooved)	1								
	4523234	24" Griddle Assembly		1							
	4523781	24" Griddle Assembly (Fully Grooved)		1							
	4523782	24" Griddle Assembly (Right Grooved)		1							
	4523783	24" Griddle Assembly (Left Grooved)		1							
	4523236	36" Griddle Assembly			1	1					
	4523784	36" Griddle Assembly (Fully Grooved)			1	1					
	4523785	36" Griddle Assembly (Right Grooved)			1	1					
	4523786	36" Griddle Assembly (Left Grooved)			1	1					
	4523931	36" Griddle Assembly - Middle Chute (Used only on 48" unit w/36" Griddle on Left)				1					
	4523932	36" Griddle Assembly - Middle Chute - Fully Grooved (Used only on 48" unit w/36" Griddle on Left)				1					
	4523933	36" Griddle Assembly - Middle Chute - Right Grooved (Used only on 48" unit w/36" Griddle on Left)				1					
	4523934	36" Griddle Assembly - Middle Chute - Left Grooved (Used only on 48" unit w/36" Griddle on Left)				1					
	4523387	48" Griddle Assembly - R/H Side					1				
	4523787	48" Griddle Assembly (Fully Grooved) - R/H Side					1				
	4523788	48" Griddle Assembly (Right Grooved) - R/H Side					1				
	4523789	48" Griddle Assembly (Left Grooved) - R/H Side					1				
	4524404	48" Griddle Assembly - L/H Side (Used only on 60" units w/48" Griddle Left)						1			
	4524405	48" Griddle Assembly (Fully Grooved) - L/H Side (Used only on 60" units w/48" Griddle Left)						1			
	4524406	48" Griddle Assembly (Right Grooved) - L/H Side (Used only on 60" units w/48" Griddle Left)						1			
	4524407	48" Griddle Assembly (Left Grooved) - L/H Side (Used only on 60" units w/48" Griddle Left)						1			
	4523388	60" Griddle Assembly							1		
4523790	60" Griddle Assembly (Fully Grooved)							1			
4523791	60" Griddle Assembly (Right Grooved)							1			
4523792	60" Griddle Assembly (Left Grooved)							1			

\* NOT ILLUSTRATED

**RECOMMENDED STOCK PARTS**



Range Top - Raised Griddle Broiler

## U.S. RANGE PARTS IDENTIFICATION

### U Series Gas Restaurant Ranges

#### RAISED GRIDDLE BROILER TOP

ITEM	PART #	DESCRIPTION	QUANTITY	CRITICAL
1A	4523068	36" Main Channel – Front	1	
1B	4525530	36" Main Channel – Rear	1	
2	4523069	36" Drip Angle	2	
3	4523087	Grate Support Rail	2	
4	4523194	Rail Support Bracket	1	
5	4524650	Deflector Crumb Tray	1	
6	4524641	RGB Rail Shield	1	
7	4523820	RGB Front Channel	1	
8	4524642	RGB Front Griddle Seal	1	
9	4524038	RGB Griddle Assembly	1	
10	4523419	24" Rear Griddle Splash Guard	1	
11	4523829	RGB Back Liner	1	
12	4523826	RGB Side Liner Air Shield	1	
13	4523819	RGB Rack Stop Angle	1	
14	4523810	RGB Side Right	1	
15	4522764	Body Side Lt/Rt	1	
16	4530485	.437 (7/16) Dia Tubing SIT Valve to Oven Orifice Fitting - Oven on the Left (Standard or Convection)	1	
17A	4523142	.187 (3/16) Dia Tubing SIT Valve to Oven Pilot - Oven on the Left (Standard Oven)	1	
17B	4529764	.187 (3/16) Dia Tubing SIT Valve to Oven Pilot - Oven on the Left (Convection Oven)		
18	4529679	.437 (7/16) Dia Tubing SIT Valve to Oven RGB - Oven on the Right (Standard or Convection)	1	
19	4529680	.187 (3/16) Dia Tubing SIT Valve to Oven Pilot RGB - Oven on the Right (Standard or Convection)	1	
20	4523824	RGB Grease Chute Front	1	
21	4523825	RGB Grease Chute Rear	1	
23	4524649	RGB Grease Drawer Assembly	1	
24	4523812	Grease Drawer Handle	1	
25	1091000	Ceramic Radiant RGB	8	
26	4524643	RGB Ceramic Support Lt/Rt	2	
27	4524639	RGB Valve Panel End Cap Right Long	1	
28	4524640	RGB Valve Panel End Cap Left	1	
29	4523799	RGB Valve Panel Side Shield	1	
30	4523803	RGB Burner Box Filler Right	1	
31	4523813	RGB Valve Panel, 24"	1	
32	4515934	2.5" Carriage Bolt S/S	2	
33	4521619	RGB Front Rail Bar	1	
34	3038601	RGB Front Rail Bar Spacer S/S	2	
35	4524638	RGB Plate Rail	1	
36	<b>1086593</b>	<b>RGB Hi-Lo Valve w/extension &amp; #53F Orifice Natural Gas</b>	3	C
	<b>1086594</b>	<b>RGB Hi-Lo Valve w/extension &amp; #61F Orifice Propane Gas</b>	3	C
37	<b>4524670</b>	<b>Knob Kit</b>	3	C
38	4523815	Broiler Box Shield	1	
39	4523823	RGB Pilot Bracket	3	
40	<b>1473700</b>	<b>Broiler Pilot Assembly - Natural Gas</b>	3	C
	<b>1473701</b>	<b>Broiler Pilot Assembly - Propane Gas</b>	3	C
41	4524667	RGB Pilot Tubing	3	
42	1086597	3/16" Pilot Gum Valve	3	
43	4524681	Valve Panel End Cap Right RGB	1	
44	4523073	Valve Panel End Cap Left	1	

\* NOT ILLUSTRATED

#### RECOMMENDED STOCK PARTS

## U.S. RANGE PARTS IDENTIFICATION

### U Series Gas Restaurant Ranges

#### RAISED GRIDDLE BROILER TOP

ITEM	PART #	DESCRIPTION	QUANTITY	CRITICAL
45	4526110	Burner Box Filler	2	
46	4523736	36" Valve Panel - RGB Right, Standard Oven Version	1	
	4523735	36" Valve Panel - RGB Right, Convection Oven Version	1	
47	4522402	Crumb Tray Trim S/S	1	
48	4523519	False Trim Bracket	2	
49	4523072	36" Plate Rail	1	
50A	4523832	RGB Tray Trim S/S	1	
50B	4523828	RGB Grease Tray	1	
50C	F554	Rivet .125" Dia. SS	1	
50D	CK4523828	RGB Grease Tray Assembly	1	
52	4522565	60" Manifold Assembly RGB Right (without fittings)	1	C
53	1028002	RGB Burner Air Shutter	3	
54	1090500	RGB Burner	3	
56	4523822	RGB Burner Rest	1	
57	1090600	RGB Wire Rack	1	
58	4524648	RGB Wire Rack Drip Shield	1	
59	4523746	2.5" Dia Nickel Plated Steel Hole Plug - Storage Base Left/Right	MAX 2	

\* NOT ILLUSTRATED

#### **RECOMMENDED STOCK PARTS**



Blank Page



**U.S. RANGE PARTS IDENTIFICATION**  
**U Series Gas Restaurant Ranges**

**THERMOSTAT GRIDDLE TOP**

ITEM	PART #	DESCRIPTION	T-STAT GRIDDLE TOP					FROM	UP TO	CRITICAL
			12"	24"	36" R/L	48" R/L	60"			
1A	4523179	Hot Top / Griddle Burner Box <b>Note:</b> Requires Thermostat Griddle Service Kit (Item#46).	1	2	3	4	5		21-JUL-08	
1B^	4525514	Griddle / Hot Top Burner Box	1	2	3	4	5	21-JUL-08		
2^	4525463	H-Burner W/Shutter Assembly (Partially Ported) <b>Note:</b> Assembly includes a partially ported H-burner (#3B) and an air shutter (#4).	1	2	3	4	5	21-JUL-08		
3A	1014900	Cast Iron H-Burner (Fully Ported) Replaced by P/N 4525463 (Item 2B)	1	2	3	4	5		20-JUL-08	
3B	1014901	Cast Iron H-Burner (Partially Ported)	1	2	3	4	5	21-JUL-08		
4	1028002	Air Shutter - Hot Top / Griddle	1	2	3	4	5			
5	4523221	Grease Drawer Shield		1	1	2	2			
6	<b>2200701</b>	<b>Pilot L/H #0.145.007</b>	1	2	3	4	5			C
7	<b>2431900</b>	<b>Orifice Fitting (Orifice Hood Not Included)</b>	1	2	3	4	5			C
8	<b>M8-47</b>	<b>Griddle Orifice Small - Natural Gas #47</b>	1	2	3	4	5			C
	<b>M8-1.3mm</b>	<b>Griddle Orifice Small - Propane Gas #1.3mm</b>	1	2	3	4	5			C
9	4523212	Thermostat Griddle Orifice Bracket	1	2	3	4	5			
10A	4524326	12" Chute Rear Plate	1							
10B	4524325	12" Grease Chute Funnel	1							
11A	4523219	Grease Chute Rear		1	1	2	2			
11B	4523218	Grease Chute Funnel		1	1	2	2			
12	4524158	Griddle / Hot Box Patch		1	2	2	3			
13A	4523176	Sit Pilot Bracket <b>Note:</b> Requires Thermostat Griddle Service Kit (Item#46).	1	2	3	4	5		21-JUL-08	
13B^	4525503	SIT Pilot Bracket	1	2	3	4	5	21-JUL-08		
14	<b>4523007</b>	<b>SIT Thermostat Griddle Control</b> <b>Note:</b> Use 4525399 (item 14A) - Thermostat Griddle SIT Assembly	1	2	3	4	5			C
14A	<b>4525399</b>	<b>Thermostat Griddle SIT Assembly</b> <b>Note:</b> Assembly includes a SIT control (item 14), a capillary shield (item 16), an insulating sleeve (item#51), fasteners, and instructions.	1	2	3	4	5			C
15	<b>4524672</b>	<b>T-stat Griddle Knob Assembly Deg F</b>	1	2	3	4	5			C
	<b>4524673</b>	<b>T-stat Griddle Knob Assembly Deg C</b>	1	2	3	4	5			C
16	4524358	Capillary Shield	1	2	3	4	5			
19	4525512	Griddle Box Heat Shield / Front Seal	1	2	3	4	5			
21	4522401	Crumb Tray	1							
22	F554	Rivet .125" Dia. SS	1							
23	4522402	Crumb Tray Trim	1							
24	4523334	Crumb Tray Assembly	1							
25	4523214	Vertical Mounting Bracket	1	2	3	4	5			
26	4523493	Grease Drawer Assembly		1	1	2	2			
27	4523217	Grease Drawer Handle		1	1	2	2			

\* NOT ILLUSTRATED

**RECOMMENDED STOCK PARTS**

^ Used FROM (DATE) July 21, 2008 / (SERIAL#) 0807100100942 / (MODEL) G36-G36R-0012

## U.S. RANGE PARTS IDENTIFICATION

### U Series Gas Restaurant Ranges

#### THERMOSTAT GRIDDLE TOP

ITEM	PART #	DESCRIPTION	T-STAT GRIDDLE TOP					FROM	UP TO	CRITICAL
			12"	24"	36" R/L	48" R/L	60"			
28	4523064	Comp. Fitting 3/8T x 1/8P	1	2	3	4	5			
29	4525531	Male 3/8"Tx 3/8" P Straight Connector	2	4	6	8	10			
30	4523081	SIT Shield Mount	1	2	3	4	5			
31	<b>2200702</b>	<b>Pilot Orifice #32 Natural Gas</b>	1	2	3	4	5			C
	<b>2200703</b>	<b>Pilot Orifice #23 Propane Gas</b>	1	2	3	4	5			C
35	<b>2200704</b>	<b>3/16" Compression Nut - Oven Pilot</b>	1	2	3	4	5			
36	<b>2200705</b>	<b>3/16" Ferrule - Oven Pilot</b>	1	2	3	4	5			
37	4523235	12" Griddle Assembly	1							
	4523234	24" Griddle Assembly		1						
	4523781	24" Griddle Assembly (Fully Grooved)		1						
	4523782	24" Griddle Assembly (Right Grooved)		1						
	4523783	24" Griddle Assembly (Left Grooved)		1						
	4523236	36" Griddle Assembly			1					
	4523784	36" Griddle Assembly (Fully Grooved)			1					
	4523785	36" Griddle Assembly (Right Grooved)			1					
	4523786	36" Griddle Assembly (Left Grooved)			1					
	4523931	36" Griddle Assembly - Middle Chute (Used only on 48" unit w/36" Griddle on Left)			1(L)					
	4523932	36" Griddle Assembly - Middle Chute - Fully Grooved (Used only on 48" unit w/36" Griddle on Left)			1(L)					
	4523933	36" Griddle Assembly - Middle Chute - Right Grooved (Used only on 48" unit w/36" Griddle on Left)			1(L)					
	4523934	36" Griddle Assembly - Middle Chute - Left Grooved (Used only on 48" unit w/36" Griddle on Left)			1(L)					
	4523387	48" Griddle Assembly - R/H Side				1(R)				
	4523787	48" Griddle Assembly (Fully Grooved) - R/H Side				1(R)				
	4523788	48" Griddle Assembly (Right Grooved) - R/H Side				1(R)				
	4523789	48" Griddle Assembly (Left Grooved) - R/H Side				1(R)				
	4524404	48" Griddle Assembly - L/H Side (Used only on 60" units w/48" Griddle Left)				1(L)				
	4524405	48" Griddle Assembly (Fully Grooved) - L/H Side (Used only on 60" units w/48" Griddle Left)				1(L)				
	4524406	48" Griddle Assembly (Right Grooved) - L/H Side (Used only on 60" units w/48" Griddle Left)				1(L)				
4524407	48" Griddle Assembly (Left Grooved) - L/H Side (Used only on 60" units w/48" Griddle Left)				1(L)					
4523388	60" Griddle Assembly					1				
4523790	60" Griddle Assembly (Fully Grooved)					1				
4523791	60" Griddle Assembly (Right Grooved)					1				
4523792	60" Griddle Assembly (Left Grooved)					1				
38	4523245	Bulb Clamp	1	2	3	4	5			
39	4523246	Bulb Shield	1	2	3	4	5			
40	4523418	Rear Griddle Splash Guard - 12"	1							
	4523419	Rear Griddle Splash Guard - 24"		1						
	4523420	Rear Griddle Splash Guard - 36"			1					
	4523421	Rear Griddle Splash Guard - 48"				1				
	4523422	Rear Griddle Splash Guard - 60"					1			
41	4525515	Burner Side Deflector / Baffle	2	4	6	8	10			

\* NOT ILLUSTRATED

#### **RECOMMENDED STOCK PARTS**

^ Used FROM (DATE) July 21, 2008 / (SERIAL#) 0807100100942 / (MODEL) G36-G36R-0012

## U.S. RANGE PARTS IDENTIFICATION

### U Series Gas Restaurant Ranges

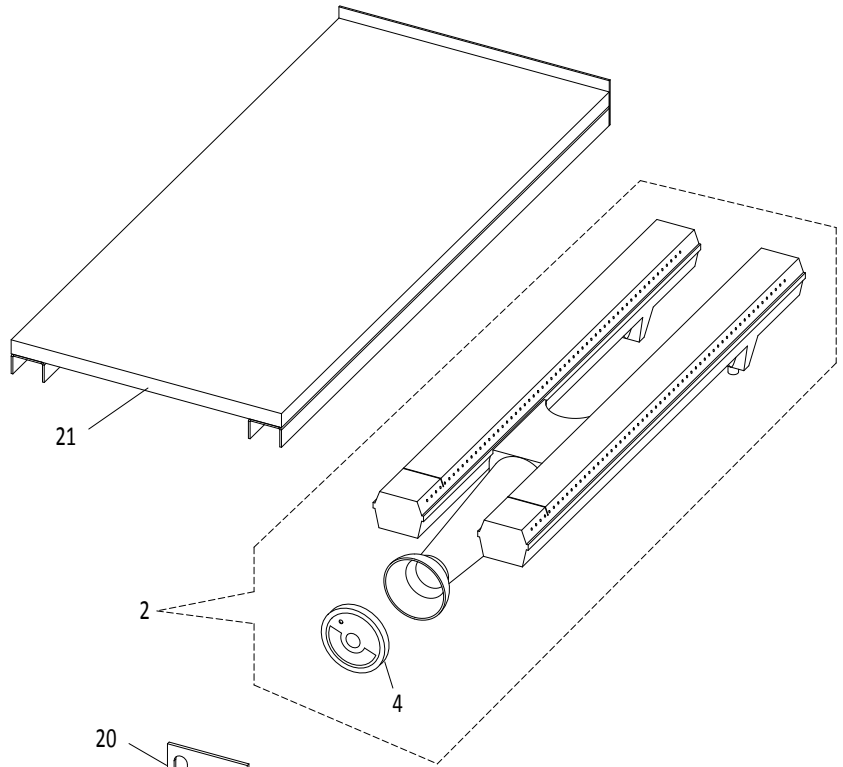
#### THERMOSTAT GRIDDLE TOP

ITEM	PART #	DESCRIPTION	T-STAT GRIDDLE TOP					FROM	UP TO	CRITICAL
			12"	24"	36" R/L	48" R/L	60"			
42	4523285	3/16 Tubing TG - Sit to Pilot <b>Note:</b> Requires Thermostat Griddle Service Kit (Item#46).	1	2	3	4	5		21-JUL;-08	
	4525534	3/16 Tubing TG - Sit to Pilot	1	2	3	4	5	21-JUL-08		
42A	4527220	SIT Pilot Tube Connection	1	2	3	4	5			
43	4523409	3/8 x 10" long Flex Tubeing - TH Griddle	2	4	6	8	10			
45	<b>4523505</b>	<b>Thermocouple SIT - 18" Long</b>	1	2	3	4	5			C
46*	4525569	Thermostat Griddle Service Kit <b>Note:</b> Kit includes burner box (#1B), H-Burner Asm (#2), capillary shield (#16), pilot bracket (#13B), griddle box heat shield (#19), burner side deflectors (#41), orifice (#8), fasteners, and instructions.								C
47	4524416	False Trim 6" (Only Used on 60" Units W/48" Griddle Left)				1(L)				
	4524414	False Trim 12" (Only Used on 48" Units W/36" Griddle Left & 60" Units W/48 Griddle Left.)				1(L)				
	4523552	False Trim 16"		1		1(L)				
	4523690	False Trim 17" (Only Used on 36" Units W/24" Griddle Right)				1(R)				
	4524412	False Trim 18"				1(R)	1			
	4523528	False Trim 28" (Used on 36" Units W/36" Griddle 60" Units W/60" Griddle & 60" Unit W/36 Griddle Left )			1		1			
	4523516	False Trim 29" Used only for 48"&60" Range Models w/36" Griddles			1					
48	4523519	False Trim Bracket		2	2	4	4			
49	<b>1309201</b>	<b>Piezo Igniter</b>	1	2	3	4	5			C
50	CK2200211	12" High Tension Wire Leads	1	2	3	4	5			C
51	G03883R	Thermoflex Insulating Sleeve (sold by the foot) <b>Note:</b> Require 12" for each item# 50, and 22" for each Griddle Thermostat Capillary.								
52	<b>2200706</b>	<b>Thermocouple Retaining Nut</b>	1	2	3	4	5			C
53	<b>2200707</b>	<b>Nut, Electro</b>	1	2	3	4	5			C
54	<b>2200708</b>	<b>Electro</b>	1	2	3	4	5			C

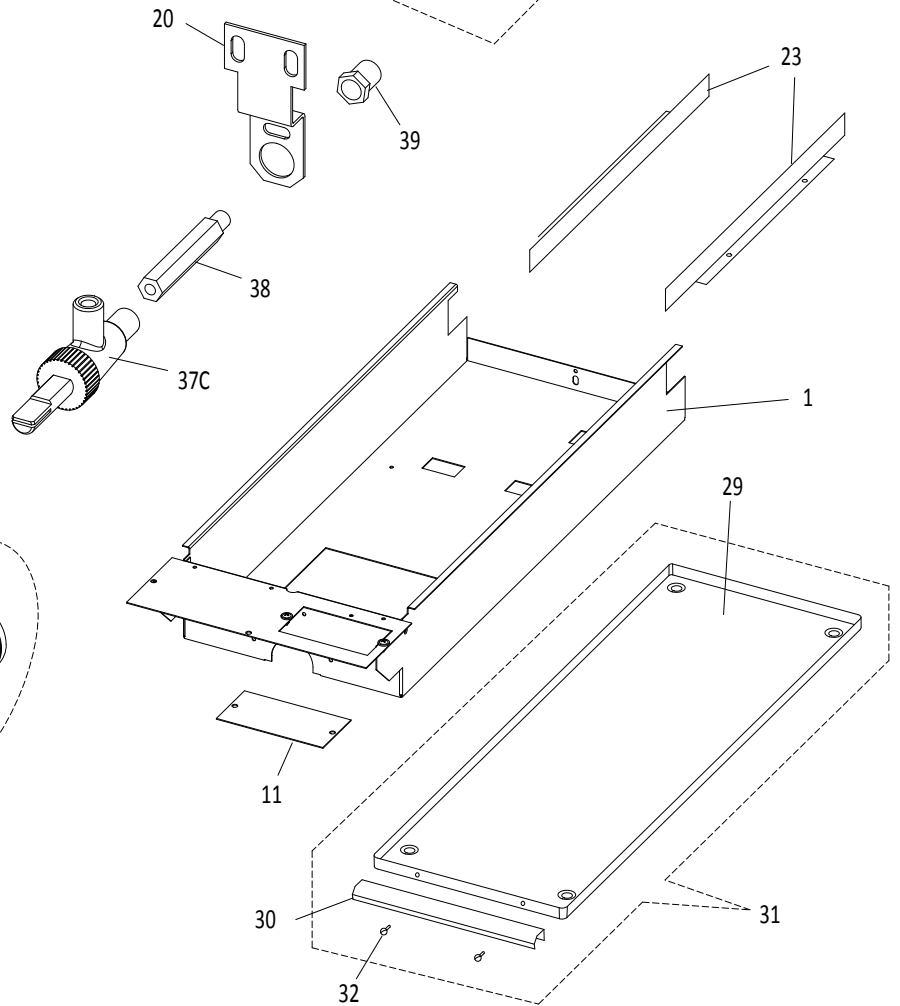
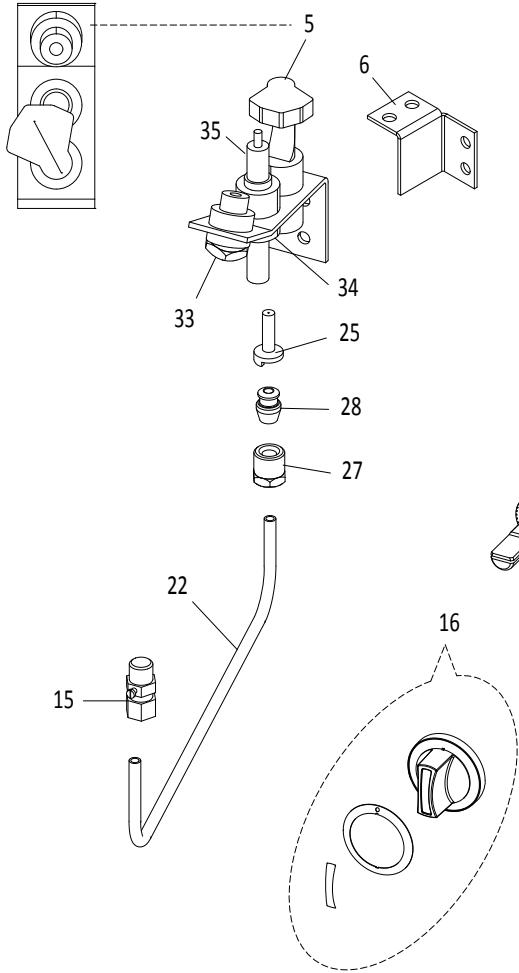
\* NOT ILLUSTRATED

#### **RECOMMENDED STOCK PARTS**

^ Used FROM (DATE) July 21, 2008 / (SERIAL#) 0807100100942 / (MODEL) G36-G36R-0012



Pilot L/H  
 Top View





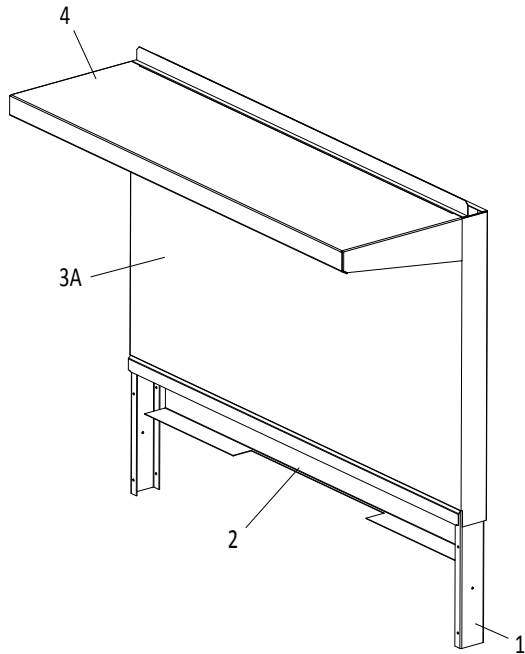
**U.S. RANGE PARTS IDENTIFICATION  
U Series Gas Restaurant Ranges**

**HOT TOP**

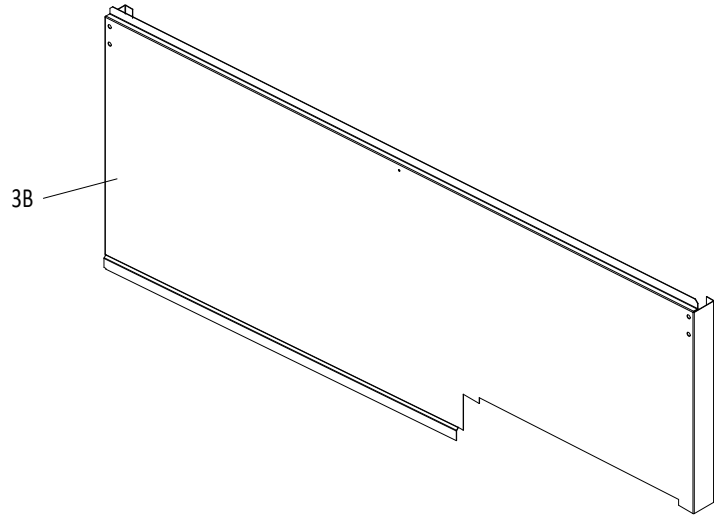
ITEM	PART #	DESCRIPTION	HOT TOP			FROM	UP TO	CRITICAL
			12"	24"	36"			
1	4525514	Hot Top / Griddle Burner Box	1	2	3			
2	4525463	H-Burner W/Shutter Assembly (Partially Ported) <b>Note:</b> Assembly includes a cast iron H-burner (p/n 1014901) and an air shutter (item# 4).	1	2	3			
4	1028002	Air Shutter - Hot Top / Griddle	1	2	3			
5	<b>2200701</b>	<b>Pilot L/H #0.145.007</b>	1	2	3			C
6	4525503	SIT Pilot Bracket	1	2	3			
11	4524158	Griddle / Hot Top Box Patch	1	2	3			
15	1086597	Pilot Gum Valve	1	2	3			
16	<b>4524670</b>	<b>Knob Assembly</b>	1	2	3			
20	4523483	Hot Top Valve Extension Support	1	2	3			
21	4523148	Hot Top 12" Assembly	1	2	3			
22	4523286	3/16" Tubing Hot Top Pilot To Gum Valve	1	2	3			
23	4525515	Burner Side Deflector	2	4	6			
25	<b>2200702</b>	<b>Pilot Orifice #32 Natural Gas</b>	1	2	3			C
	<b>2200703</b>	<b>Pilot Orifice #23 Propane Gas</b>	1	2	3			C
27	<b>2200704</b>	<b>3/16" Compression Nut</b>	1	2	3			C
28	<b>2200705</b>	<b>3/16" Ferrule</b>	1	2	3			C
29	4522401	Crumb Tray	1	2	3			
30	4522402	Crumb Tray Trim	1	2	3			
31	4523334	Crumb Tray Assembly	1	2	3			
32	F554	Rivet .125" Dia. SS	2	4	6			
33	<b>2200706</b>	<b>Thermocouple Retaining Nut</b>	1	2	3			C
34	<b>2200707</b>	<b>Nut, Electro</b>	1	2	3			C
35	<b>2200708</b>	<b>Electro</b>	1	2	3			C
37A	<b>1086580</b>	<b>Hi-Low Valve Assembly, Natural Gas #47 w/ Extension and Orifice</b>	1	2	3		1-DEC/09	C
	<b>1086595</b>	<b>Hi-Low Valve Assembly, Propane Gas #1.3mm w/ Extension and Orifice</b>	1	2	3		1-DEC/09	C
37B	<b>26878xx</b>	<b>Open Burner Valve, no Hood</b> <b>Note:</b> Used <b>UP TO</b> (date) 2-May/12 (model) G36-6R-0005 / U36-6C-0014 (serial#) 1204100101467 / 1204100101482	1	2	3	2-DEC/09	2-MAY/12	C
37C	<b>4530671</b>	<b>Open Burner Valve, no Hood</b> <b>Note:</b> Used <b>FROM</b> (date) 2-May/12 (model) G36-6R-0005 / U36-6C-0014 (serial#) 1204100101467 / 1204100101482	1	2	3	2-MAY/12		C
38	<b>2706802</b>	<b>Valve Extension, 3.25"</b>	1	2	3			C
39	<b>M8-47</b>	<b>Hot Top/Griddle Orifice Natural Gas #47</b>	1	2	3			C
	<b>M8-1.3mm</b>	<b>Hot Top/Griddle Orifice Propane Gas #1.3mm</b>	1	2	3			C

\* NOT ILLUSTRATED

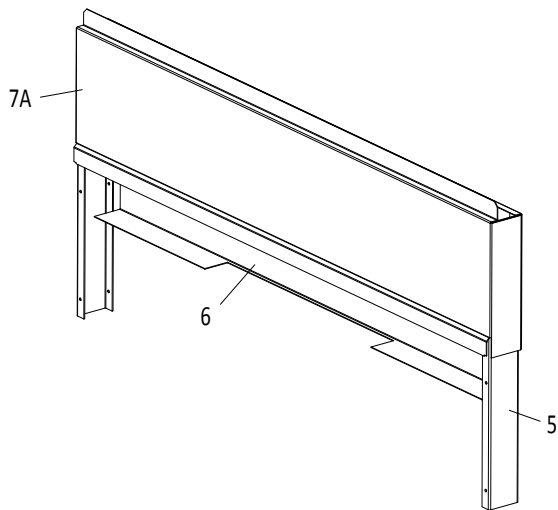
**RECOMMENDED STOCK PARTS**



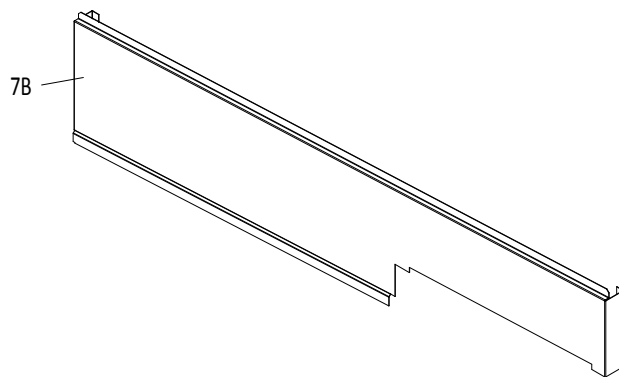
36" High Shelf Shown



60" High Shelf Front Panel  
for Raised Griddle Broiler Only



48" Back Guard Shown



60" Low Guard Front Panel  
for Raised Griddle Broiler Only

## U.S. RANGE PARTS IDENTIFICATION

### U Series Gas Restaurant Range

#### HIGH SHELF & LOW PROFILE BACK GUARD COMPONENTS

ITEM	PART #	DESCRIPTION	QUANTITY
<b>High Shelf (HS) Components</b>			
1	4523112	High Shelf Upright (Vertical Side Channel)	2
2	4523267	24" HS Back Panel	1
	4524105	24" HS Back Panel - S/S	1
	4523111	36" HS Back Panel	1
	4523312	36" HS Back Panel - S/S	1
	4523290	48" HS Back Panel	1
	4524106	48" HS Back Panel - S/S	1
	4523268	60" HS Back Panel	1
	4524107	60" HS Back Panel - S/S	1
3A	4523289	24" HS Front Panel	1
	4523110	36" HS Front Panel	1
	4523291	48" HS Front Panel	1
	4523264	60" HS Front Panel	1
3B	4523833	60" HS Front Panel - for <b>Raised Griddle Broiler Model Only</b>	1
4	4523293	24" Shelf	1
	4523113	36" Shelf	1
	4523294	48" Shelf	1
	4523270	60" Shelf	1
<p><b>9" Low Profile Back Guard (LPBG) Components</b></p> <p><b>NOTE: ALL 6" Low Profile Back Guard Components Are No Longer Available (Nla).</b>                      Replacing Any 6" Low Profile Components Will Require                      A Complete Conversion To The 9" Low Profile Back Guard Assembly.</p>			
5	4525520	9" LPBG Upright (Vertical Side Channel)	2
	4524097	9" LPBG Upright (Vertical Side Channel) for <b>Raised Griddle Broiler Model Only</b>	2
6	4525521	24" LPBG Back Panel	1
	4525522	24" LPBG Back Panel - S/S	1
	4525523	36" LPBG Back Panel	1
	4525524	36" LPBG Back Panel - S/S	1
	4525525	48" LPBG Back Panel	1
	4525526	48" LPBG Back Panel - S/S	1
	4525527	60" LPBG Back Panel	1
	4525528	60" LPBG Back Panel - S/S	1
	4523887	60" LPBG Back Panel - for <b>Raised Griddle Broiler Model Only</b>	1
	4523895	60" LPBG Back Panel - S/S - for <b>Raised Griddle Broiler Model Only</b>	1
7A	4525516	24" LPBG Front Panel	1
	4525517	36" LPBG Front Panel	1
	4525518	48" LPBG Front Panel	1
	4525519	60" LPBG Front Panel	1
7B	4523886	60" LPBG Front Panel - for <b>Raised Griddle Broiler Model Only</b>	1

## U.S. RANGE PARTS IDENTIFICATION

### U Series Gas Restaurant Range

#### CRITICAL & RECOMMENDED STOCK PARTS LIST

PART#	DESCRIPTION
1005800	Oven Door Spring
1019600	Door Switch, Convection Oven
1082802	Hinge Link Rt
1082803	Oven Door Hinge Link L/H
1086580	Hi-Low Valve Assembly, Natural Gas #47 w/ Extension and Orifice
1086593	RGB Hi-Lo Valve w/extension & #53F Orifice Natural Gas
1086594	RGB Hi-Lo Valve w/extension & #61F Orifice Propane Gas
1086595	Hi-Low Valve Assembly, Propane Gas #1.3mm w/ Extension and Orifice
1309201	Piezo Igniter #1244-41
1358900	Switch (Power Switch ON/OFF/ON), Convection Oven
1473700	Broiler Pilot Assembly - Natural Gas
1473701	Broiler Pilot Assembly - Propane Gas
2127500	Regulator - Propane Gas 10" WC
2127502	Regulator - Natural Gas 4.5" WC
2200700	Pilot R/H #0.145.010, Oven
2200701	Pilot L/H #0.145.007, Oven
2200702	Pilot Orifice #32 Natural Gas
2200703	Pilot Orifice #23 Propane
2200704	3/16" Compression Nut - Oven Pilot
2200705	3/16" Ferrule - Oven Pilot
2200706	Thermocouple Retaining Nut
2200707	Nut Electrode #0.974.144
2200708	Electrode #0.915.025
2431900	Orifice Fitting (Orifice Hood Not Included)
2485800	RC Motor 1/3 HP, 208/240V, 50/60 Hz
2485801	RC Motor 1/3 HP, 115V, 60Hz
2706802	Valve Extension, 3.25"
4515043	RC Motor Assembly Kit 115V
4522421	Regulator - Natural Gas 4.5" WC (1" Regulator)
4522422	Regulator - Propane Gas 10" WC (1" Regulator)
4522561	Manifold Assembly 24" (without Fittings)
4522562	Manifold Assembly 36" (without Fittings)
4522563	Manifold Assembly 48" (without Fittings)
4522564	Manifold Assembly (without Fittings)
4522565	60" Manifold Assembly RGB Right (without fittings)
4523006	SIT Oven Control
4523007	SIT Thermostat Griddle Control
4523222	Switch Box, Convection Oven
4523497	6" Long J-Bolt (F598)
4523505	Thermocouple SIT - 18" Long
4523506	Thermocouple Oven 60"

PART#	DESCRIPTION
4524668	Knob Assembly - Oven SIT, deg. F
4524669	Knob Assembly - Oven SIT, deg. C
4524670	Knob Assembly
4524671	Hi-Lo Griddle Knob Assembly
4524672	T-stat Griddle Knob Assembly Deg F
4524673	T-stat Griddle Knob Assembly Deg C
4524825	Range Oven Pilot Kit Natural Gas (on R/H of burner)
4524826	Range Oven Pilot Kit Natural Gas (on L/H of burner)
4524827	Range Oven Pilot Kit Propane Gas (on R/H of burner)
4524828	Range Oven Pilot Kit Propane Gas (on L/H of burner)
4525399	Thermostat Griddle SIT Assembly
4525569	Thermostat Griddle Service Kit
4527831	Extension 1/8" NPT Male To 1/8" NPT Female Brass
4530671	Open Burner Valve, no Hood
9004701	Oven Door Spring Hook
1415530F	Oven Orifice Fitting w/#30 hood (Natural Gas)
1415533F	Oven Orifice Fitting with #33 Hood (Natural)
1415550F	Oven Orifice Fitting w/#50 Hood (Propane)
1415551F	Oven Orifice Fitting with #51 Hood (Propane)
14155XX	Oven Orifice Fitting (without orifice)
26878XX	Open Burner Valve, no Hood
CK2200211	12" High Tension Wire Leads
G02486-1300	Orifice Fitting 1.3mm - Propane Gas
G02486-47F	Orifice Fitting 47F - Natural Gas
G02486XX	Orifice Fitting (without orifice)
G02599-01	HI-LOW Valve with 90 Degree Elbow
M8-1.3MM	Hot Top/Griddle Orifice Propane Gas #1.3mm
M8-37	Small Orifice Natural Gas #37
M8-47	Hot Top/Griddle Orifice Natural Gas #47
M8-53	Small Orifice Propane Gas #53
M9-30	Large Orifice #30 Natural Gas
M9-33	Large Orifice #33 Natural Gas
M9-50	Large Orifice #50 Propane
M9-51	Large Orifice # 51 Propane

**U.S. RANGE PARTS IDENTIFICATION  
U Series Gas Restaurant Range**

**WIRING DIAGRAMS**

**(For reference only. Please contact technical service for assistance.)**

<b>PART#</b>	<b>DESCRIPTION</b>
4524261	Wiring Diagram - U36, Single Convection Oven
4529836	Wiring Diagram - U48/U60, Single Convection Oven on Right
4524262	Wiring Diagram - U48, Single Convection Oven on Left
4524263	Wiring Diagram - U60 Double Convection Ovens
4524800	Wiring Diagram - U60 Raised Griddle Broiler - Single Convection Oven on Right
4524801	Wiring Diagram - U60 Raised Griddle Broiler - Single Convection Oven on Left
4524802	Wiring Diagram - U60 Raised Griddle Broiler - Double Convection Ovens

**MANUALS / INSTRUCTION SHEETS**

<b>PART#</b>	<b>DESCRIPTION</b>
4523341	Installation and Operation Manual
GCTRM	Gas Control - Technical Reference Manual - Garland/USRange
4525482	Backguard Installation Instructions

**GAS CONVERSION KITS**

<b>PART#</b>	<b>DESCRIPTION</b>
4525165	Conversion Kit 24" / 36" - To Propane Gas
4525166	Conversion Kit 24" / 36" - To Natural Gas
4525314	Conversion Kit 48" / 60" - To Propane Gas
4525316	Conversion Kit 48" / 60" - To Natural Gas

**RELATED BULLETINS**

<b>BULLETIN#</b>	<b>DESCRIPTION</b>	<b>DATE</b>
GAR-08-14-AIC	New Gas Conversion Kits Availability Matrix for Restaurant Ranges	Mar 14, 2014
GAR-09-14-AIC	New Oven SIT Control Calibration Instructions	Mar 14, 2014



**WELBILT®**  
*Bringing innovation to the table*

[WWW.WELBILT.COM](http://WWW.WELBILT.COM)

Welbilt provides the world's top chefs, and premier chain operators or growing independents with industry leading equipment and solutions. Our cutting-edge designs and lean manufacturing tactics are powered by deep knowledge, operator insights, and culinary expertise.

All of our products are backed by KitchenCare® – our aftermarket, repair, and parts service.

- ▶ CLEVELAND
- ▶ CONVOTHERM®
- ▶ DELFIELD®
- ▶ FITKITCHEN™
- ▶ FRYMASTER®
- ▶ GARLAND
- ▶ KOLPAK®
- ▶ LINCOLN
- ▶ MANITOWOC®
- ▶ MERCER®
- ▶ MERRYCHEF®
- ▶ MULTIPLEX®