

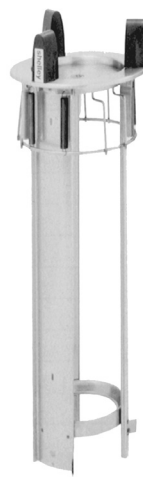
DIS

Drop-In Dish Dispensers

Project _____
Item _____
Quantity _____
CSI Section 11400
Approved _____
Date _____

DIS: Drop-In Dish Dispensers

Model	Even Temp Heating Models	Quick Temp Heating Models	Description
• DIS-500	• DIS-500-ET		Stacks 3.00"-5.00" diameter dishes
• DIS-575	• DIS-575-ET		Stacks 5.00"-5.75" diameter dishes
• DIS-650	• DIS-650-ET		Stacks 5.75"-6.50" diameter dishes
• DIS-725	• DIS-725-ET		Stacks 6.50"-7.25" diameter dishes
• DIS-813	• DIS-813-ET	• DIS-813-QT	Stacks 7.25"-8.12" diameter dishes
• DIS-913	• DIS-913-ET	• DIS-913-QT	Stacks 8.12"-9.12" diameter dishes
• DIS-1013	• DIS-1013-ET	• DIS-1013-QT	Stacks 9.12"-10.12" diameter dishes
• DIS-1200	• DIS-1200-ET	• DIS-1200-QT	Stacks 10.12"-12.00" diameter dishes
• DIS-1450	• DIS-1450-ET	• DIS-1450-QT	Stacks 12.00"-14.50" diameter dishes



DIS-650

Standard Features

- Top flange, bottom brace and vertical side channels are stainless steel
- Flange, channels and bottom to be integrally welded
- Spring supports to be stainless steel
- Carrier head made of welded rods with a removable top plate
- Self-leveling mechanism, field adjustable by adding or removing springs
- High impact plastic guide posts mounted to flange
- One year parts and 90 day labor standard warranty

DIS-ET/QT Series Only

- 4' cord and plug
- Convection heating module and fan motor
- Filtered air intake
- On/off switch and adjustable thermostat
- Outer stainless steel jacket
- QT- Shall have a stainless steel cover
- ET temperature range is 120-140°F (49-60°C)
- QT temperature range is 150-170°F (66-77°C)

Options & Accessories

- Shorten dispenser tubes to special length
- Stainless steel outer jacket for dispenser tubes-non-heated (standard on ET or QT)
- 12.00" (30cm) dia. stainless steel dish dispenser tray (DIS-1200, DIS-1200-ET and DIS-1200-QT only)
- Non-marring adjustment rods for oval dishes and various dish diameters (813-1450 sizes only)
- Stainless steel dome cover with access to dishes (813-1450 sizes only; standard on QT models)
- Stainless steel tube cover (500-725 sizes only)
- Hold-down rod for dispenser tubes
- Special voltages

Specifications

Dispenser tube shall have three vertical side channels, bottom brace and top supporting flange of stainless steel. Flange, channels and bottom brace shall be integrally welded together. Flange shall have 3 guide posts molded from high impact plastic.

Self-leveling mechanism shall be field adjustable by adding or removing stainless steel extension springs on perimeter of vertical side channels. The dish carrier head shall be stainless steel welded rods with a removable stainless steel top plate. Tube shall suspend in a 28.00" (71cm) high space.

Capacity of tubes shall be approximately 72 dishes, with a maximum stacking height of 24.00" (61cm).

DIS-ET even temp heated dispensers have a stainless steel outer jacket. Unit shall be supplied with 4'0" (1.2m) cord and NEMA 5-15P plug. Electrical connections shall be 120 volt, 60 hertz, single phase.

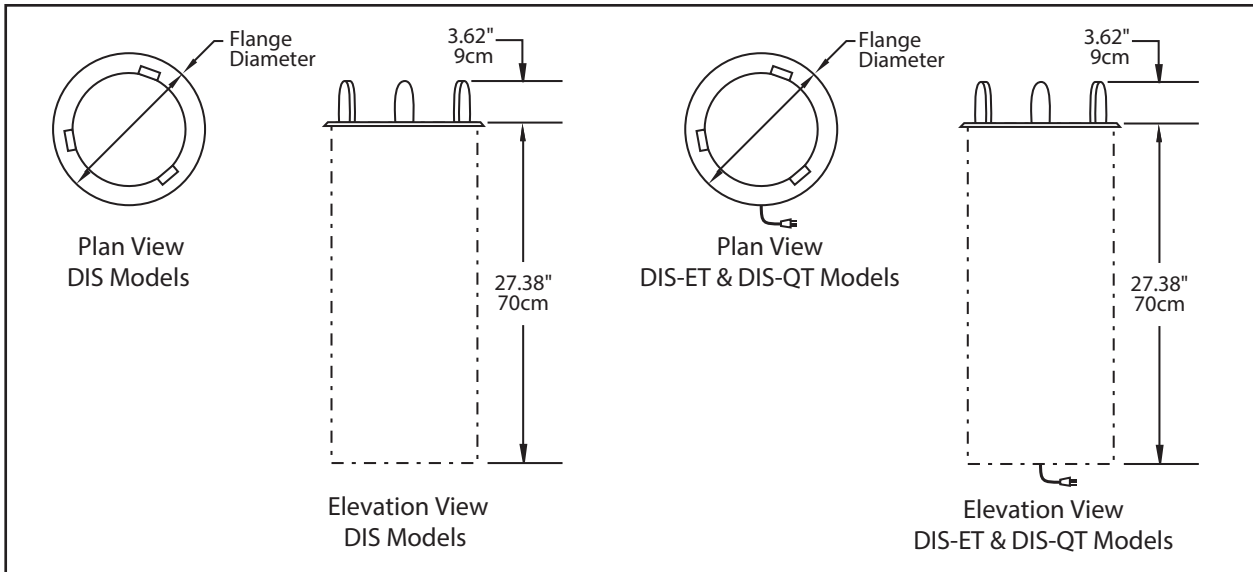
The tube shall have its own convection heating module consisting of a single 700 watt heating element and fan motor, located in the center of the interior bottom cavity. Air intake has a filter. The tube shall have an adjustable thermostat inside

the motor housing and an ON/OFF switch on one of the dish guide posts. Unit requires a minimum of 1" (2.5cm) clearance at bottom for air circulation. Unit shall maintain temperature between 120°F-140°F (49°C-60°C).

DIS-QT quick temp heated dispensers have a stainless steel outer jacket and cover. Unit shall be supplied with 4' (1.2m) cord and NEMA 5-15P plug. Electrical connections shall be 120 volt, 60 hertz, single phase.

The tube shall have its own convection heating module consisting of a single 700 watt heating element and fan motor, located in the center of the interior bottom cavity. Air intake shall have a filter. The tube shall have an adjustable thermostat inside the motor housing and an ON/OFF switch on one of the dish guide posts. Unit requires a minimum of 1" (2.5cm) clearance at bottom for air circulation. Unit shall maintain temperature between 150°F-170°F (66°C-77°C).





Model	Flange Diameter	Cutout Diameter	Dish Diameter Range	V/Hz/Ph	Amps	Nema Plug	Ship Weight
DIS-500	8.37" (21cm)	7.75" (20cm)	3.00" - 5.00" (8cm - 13cm)	NA	NA	NA	8lbs/4kg
DIS-575	9.12" (23cm)	8.50" (22cm)	5.00" - 5.75" (13cm - 15cm)	NA	NA	NA	9lbs/4kg
DIS-650	9.87" (25cm)	9.25" (23cm)	5.75" - 6.50" (15cm - 17cm)	NA	NA	NA	9lbs/4kg
DIS-725	10.62" (27cm)	10.00" (25cm)	6.50" - 7.25" (17cm - 18cm)	NA	NA	NA	10lbs/5kg
DIS-813	11.50" (29cm)	10.87" (28cm)	7.25" - 8.12" (18cm - 21cm)	NA	NA	NA	11lbs/5kg
DIS-913	12.50" (32cm)	11.87" (30cm)	8.12" - 9.12" (21cm - 23cm)	NA	NA	NA	12lbs/5kg
DIS-1013	13.50" (34cm)	12.87" (33cm)	9.12" - 10.12" (23cm - 26cm)	NA	NA	NA	13lbs/6kg
DIS-1200	15.37" (39cm)	14.75" (37cm)	10.12" - 12.00" (26cm - 30cm)	NA	NA	NA	14lbs/6kg
DIS-1450	17.87" (45cm)	17.25" (44cm)	12.00" - 14.50" (30cm - 37cm)	NA	NA	NA	17lbs/8kg
DIS-500-ET	8.37" (21cm)	7.75" (20cm)	3.00" - 5.00" (8cm - 13cm)	120/60/1	5.5	5-15P	19lbs/9kg
DIS-575-ET	9.12" (23cm)	8.50" (22cm)	5.00" - 5.75" (13cm - 15cm)	120/60/1	5.5	5-15P	20lbs/9kg
DIS-650-ET	9.87" (25cm)	9.25" (23cm)	5.75" - 6.50" (15cm - 17cm)	120/60/1	5.5	5-15P	21lbs/10kg
DIS-725-ET	10.62" (27cm)	10.00" (25cm)	6.50" - 7.25" (17cm - 18cm)	120/60/1	5.5	5-15P	23lbs/10kg
DIS-813-ET	11.50" (29cm)	10.87" (28cm)	7.25" - 8.12" (18cm - 21cm)	120/60/1	5.5	5-15P	25lbs/11kg
DIS-913-ET	12.50" (32cm)	11.87" (30cm)	8.12" - 9.12" (21cm - 23cm)	120/60/1	5.5	5-15P	27lbs/12kg
DIS-1013-ET	13.50" (34cm)	12.87" (33cm)	9.12" - 10.12" (23cm - 26cm)	120/60/1	5.5	5-15P	29lbs/13kg
DIS-1200-ET	15.37" (39cm)	14.75" (37cm)	10.12" - 12.00" (26cm - 30cm)	120/60/1	5.5	5-15P	32lbs/15kg
DIS-1450-ET	17.87" (45cm)	17.25" (44cm)	12.00" - 14.50" (30cm - 37cm)	120/60/1	5.5	5-15P	37lbs/17kg
DIS-813-QT	11.50" (29cm)	10.87" (28cm)	7.25" - 8.12" (18cm - 21cm)	120/60/1	5.5	5-15P	30lbs/14kg
DIS-913-QT	12.50" (32cm)	11.87" (30cm)	8.12" - 9.12" (21cm - 23cm)	120/60/1	5.5	5-15P	32lbs/15kg
DIS-1013-QT	13.50" (34cm)	12.87" (33cm)	9.12" - 10.12" (23cm - 26cm)	120/60/1	5.5	5-15P	34lbs/15kg
DIS-1200-QT	15.37" (39cm)	14.75" (37cm)	10.12" - 12.00" (26cm - 30cm)	120/60/1	5.5	5-15P	37lbs/17kg
DIS-1450-QT	17.87" (45cm)	17.25" (44cm)	12.00" - 14.50" (30cm - 37cm)	120/60/1	5.5	5-15P	41lbs/19kg

Note: Optional adjusting rods are available on 813-1450 models and installed by factory only. They reduce the maximum round dish diameter by 1.25" (3cm). The rods can be adjusted to decrease the diminished maximum round dish diameter by 1.50" (4cm).

Delfield reserves the right to make changes to the design or specifications without prior notice.

Drop-In Dish Dispensers

DIS