

MOTAK

Back Bar Cooler Solid Swing Door

Model #: **MBB-1D-27-X**

Product Details

- Eco-friendly R290 refrigerant
- Swinging solid doors with locks
- Efficient LED interior lighting
- Durable stainless steel top, interior walls, floor, and ceiling
- Corrosion-resistant black vinyl-covered steel exterior
- Electronic control system makes it easy to adjust temperature set point and defrost frequency
- Adjustable, heavy-duty, coated shelves
- Temperature range: 33°F - 41°F
- Condenser coil is easy to access for cleaning and service
- Factory-installed 3" swivel casters

*Not suitable for installation in a non-commercial or residential applications.



Warranty

WARRANTY: 2 years parts & labor and additional 3 years on compressor

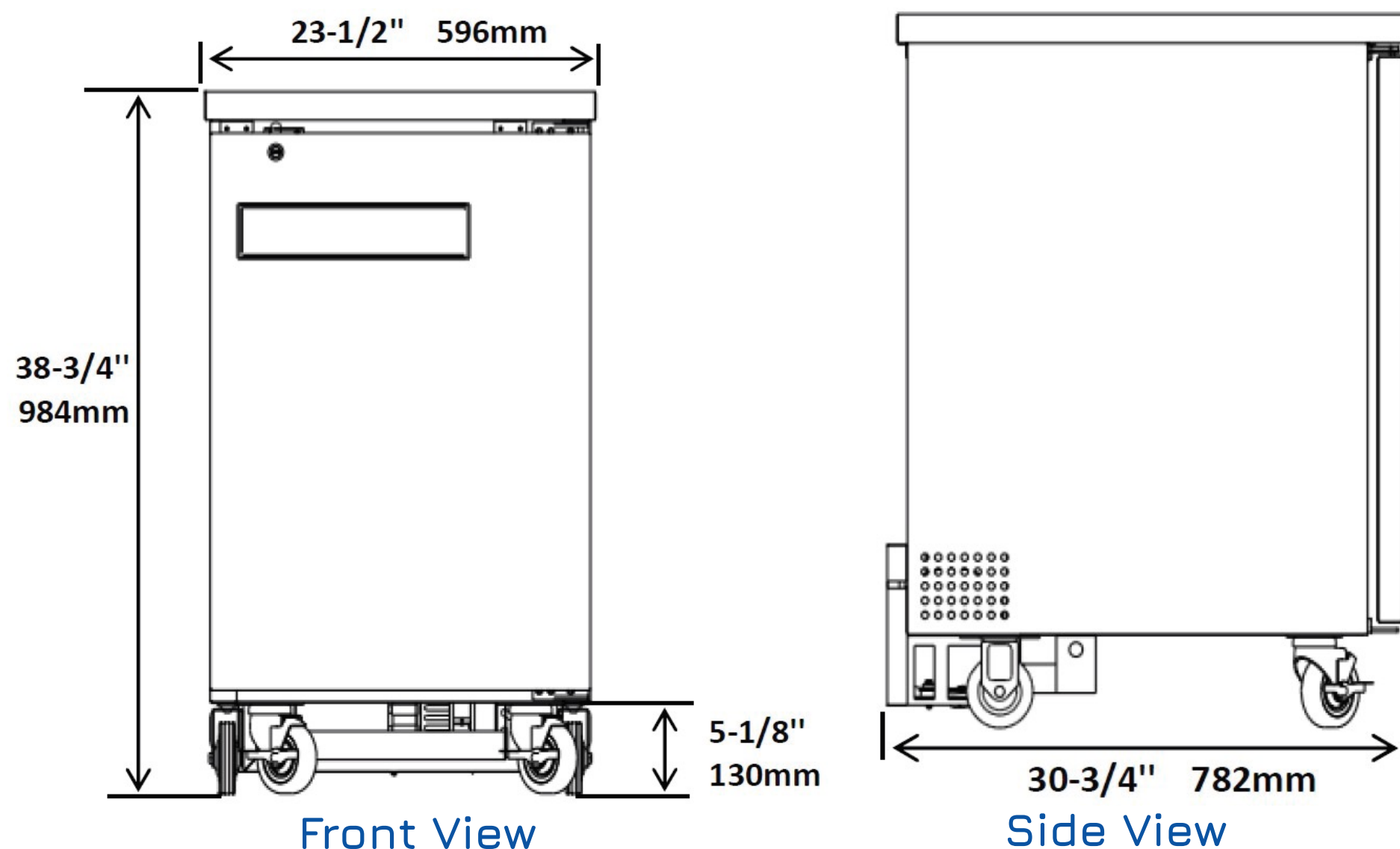
Certifications



Specifications

Model	Doors	Shelves	Cabinet Dims (in)			HP	Voltage	Amp	NEMA Plug	Cord Length (ft)	Crated Weight (lbs)
			Width	Depth	Height						
MBB-1D-27-X	1	2	23.5"	30.75"	38.75"	1/6	115/60/1	1.92	5-15P	10 ft.	176 lbs.

Plan View



MOTAK reserves the right to make changes to the design or specifications without prior notice.