

# Merrychef eikon® e5 Daily oven cleaning

## IMPORTANT:



A daily cleaning routine will ensure that you comply with the required hygiene standards, as well as help maintain the efficiency of your Merrychef oven.

**It is very important to cool down the oven before cleaning.**



## You will need

### PPE:

- heat proof gloves
- protective rubber gloves
- eye protection

### Cleaning materials:

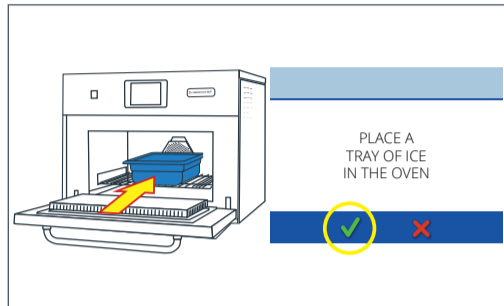
- non-abrasive nylon scrub pad
- cleaning cloths
- Merrychef oven cleaner (or Merrychef approved cleaning chemicals)
- Merrychef oven protector



## Cool down the oven

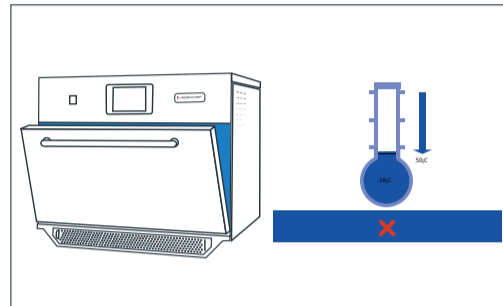


1. Press the hand icon from the main menu (full serve mode) or the blue thermometer icon (quick serve mode).

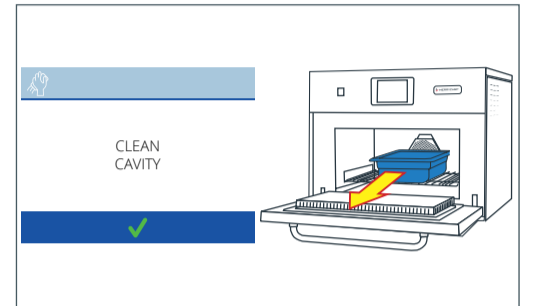


2. Place a pan of ice into the oven to speed up the cool down process. Press the green tick.

**!** Do not leave the pan of water in the oven overnight.



3. Leave the door open slightly. Wait for temperature to reduce to 50°C or 122°F. This takes approximately 20 mins.

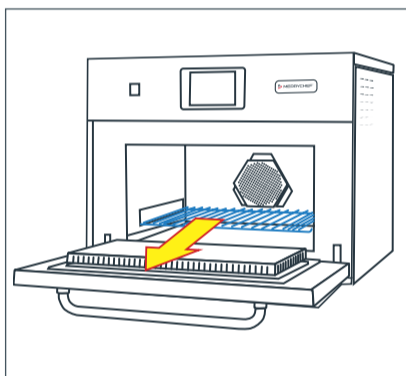


4. Once the cooling process is complete you will see a 'clean cavity' screen. Remove the pan of water. The oven is now ready for cleaning.

**!** Pan and water maybe hot. Use heat proof gloves.

## Clean the cold oven

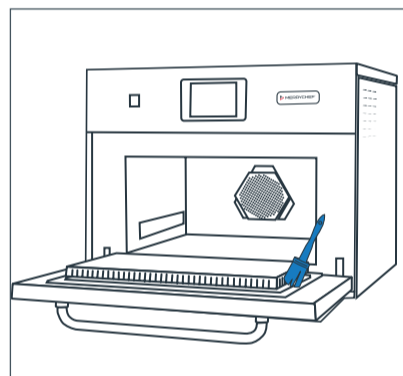
### ! Wear PPE



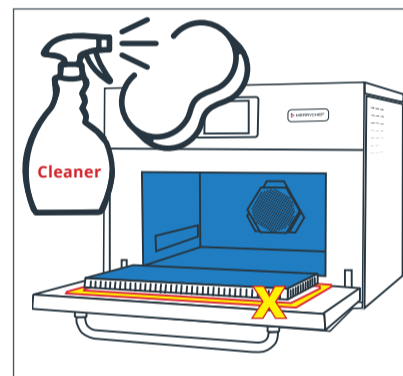
1. Remove the cook tray and any other cooking accessories from the cavity.



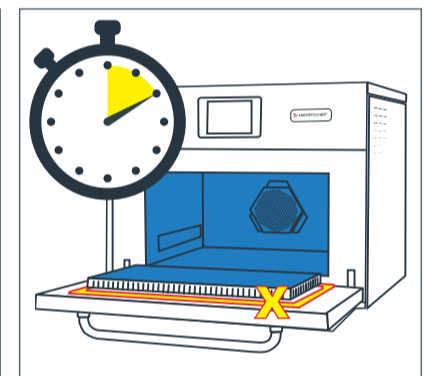
2. Wash all parts in warm soapy water using a sponge. Rinse off and dry using a clean cloth. Remove any spillages with a suitable cloth or paper towel.



3. Use a dry clean brush to remove any food particles from between the cavity floor and the inside of the front door.

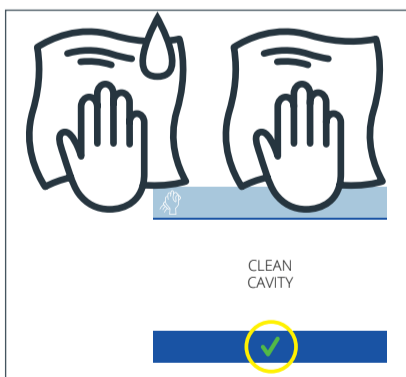


4. Spray Merrychef approved cleaner onto a sponge and wipe onto the sides of the inside of the oven, the back, the base, the roof and the oven door.



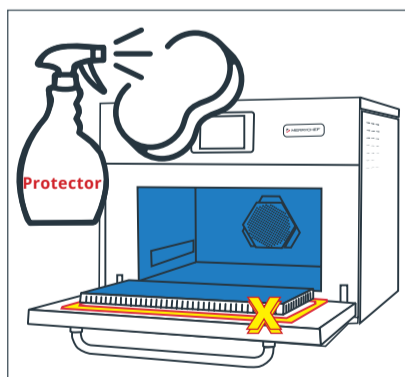
5. For difficult areas, leave to soak for 10 minutes with the oven door open. Clean the cavity using a non-abrasive sponge. Do not scrub the door seal.

**!** Do not spray directly into the cavity. Avoid the door seal.



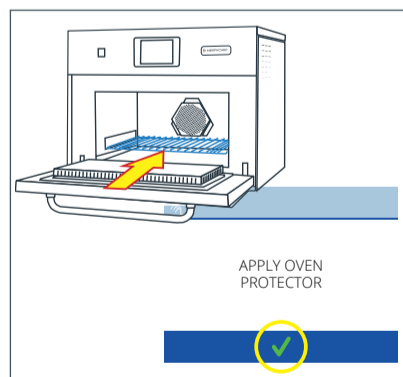
6. Remove the Merrychef cleaner with a clean wet cloth. The door seal can also be gently wiped if necessary to remove food debris.

Dry the oven with a clean dry cloth. Press the tick on the 'clean cavity' screen to continue.

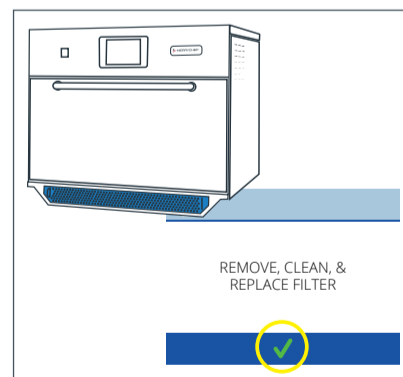


7. Apply oven protector (optional). Spray Merrychef Protector onto a sponge and spread lightly onto the sides of the inside of the oven, the back, the base, the roof and the oven door afterwards.

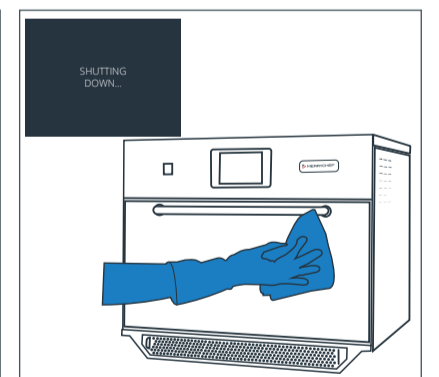
**!** Avoid door seals. Heat oven to cure the protective chemical.



8. Replace the wire rack and press the green tick to continue.



9. Remove the air filter and wipe it clean or wash in soapy water. Dry and replace and then press the green tick to continue.



10. Switch the oven off. Wipe the outside of the oven with a clean sanitised cloth.

**!** **WARNING:** Do not use the oven without a clean filter in place. Do not use caustic cleaners in the oven cavity as they cause permanent damage to the catalytic converters. Do not use tools, sharp implements or harsh abrasives on any part of the oven.