

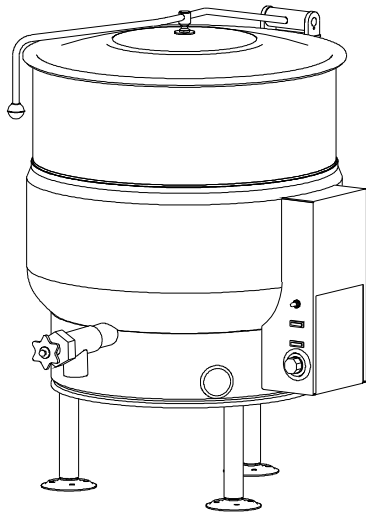


IMPORTANT FOR FUTURE REFERENCE
Please complete this information and retain this manual for the life of the equipment:

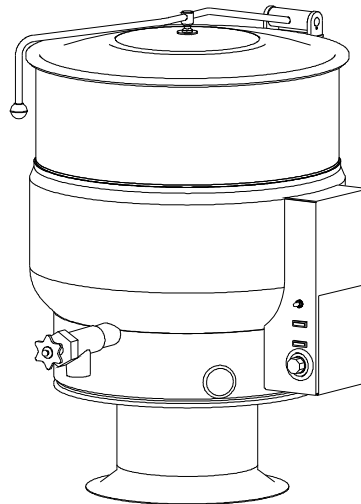
Model #: _____
Serial #: _____
Date Purchased: _____

INSTALLATION & OPERATION MANUAL

Self Generating Steam Jacketed Kettles EL-20, EL-25, EL-30, EL-40, EL-60, EL-80, EL-100 EP-20, EP-25, EP-30, EP-40, EP-60, EP-80, EP-100



EL



EP

⚠ WARNING

Improper installation, adjustment, alteration, service or maintenance can cause property damage, injury or death. Read the installation, operating and maintenance instructions thoroughly before installing or servicing this equipment.

CROWN FOOD SERVICE EQUIPMENT

Division of Middleby Canada Company Inc.
70 Oakdale Road, Downsview (Toronto) Ontario, Canada, M3N 1V9
Telephone: 919-762-1000 www.crownsteamgroup.com
Printed in Canada



INSTALLATION AND OPERATION MANUAL,
SELF GENERATING STEAM JACKETED KETTLES, MODELS EL AND EP

IMPORTANT NOTES FOR INSTALLATION AND OPERATION

It is recommended that this manual be read thoroughly and that all instructions be followed carefully.



This is the safety alert symbol. It is used to alert you to potential personal injury hazards. Obey all safety messages that follow this symbol to avoid possible injury or death.



WARNING: Improper installation, operation, adjustment, alteration, service or maintenance can cause property damage, injury or death. Read the installation, operating and maintenance instructions thoroughly before installing, operating or servicing this equipment.

NOTICE: Contact the factory, the factory representative or local service company to perform maintenance and repairs.

Intended for commercial use only. Not for household use.

This manual should be retained for future reference.

INSTALLATION AND OPERATION MANUAL,
SELF GENERATING STEAM JACKETED KETTLES, MODELS EL AND EP

TABLE OF CONTENTS

DESCRIPTION	PAGE
1.0 Service Connections	4
2.0 Installation Instructions	6
Introduction.	8
3.0 Description.	8
4.0 Capacities.	8
5.0 Functioning Mode.	9
6.0 Operation Instructions.	10
7.0 Cleaning Instructions.	12
8.0 General Maintenance	16
9.0 Troubleshooting	17
Appendix A, Material Safety Data Sheets	20

INSTALLATION AND OPERATION MANUAL, SELF GENERATING STEAM JACKETED KETTLES, MODELS EL AND EP

1.0 SERVICE CONNECTIONS

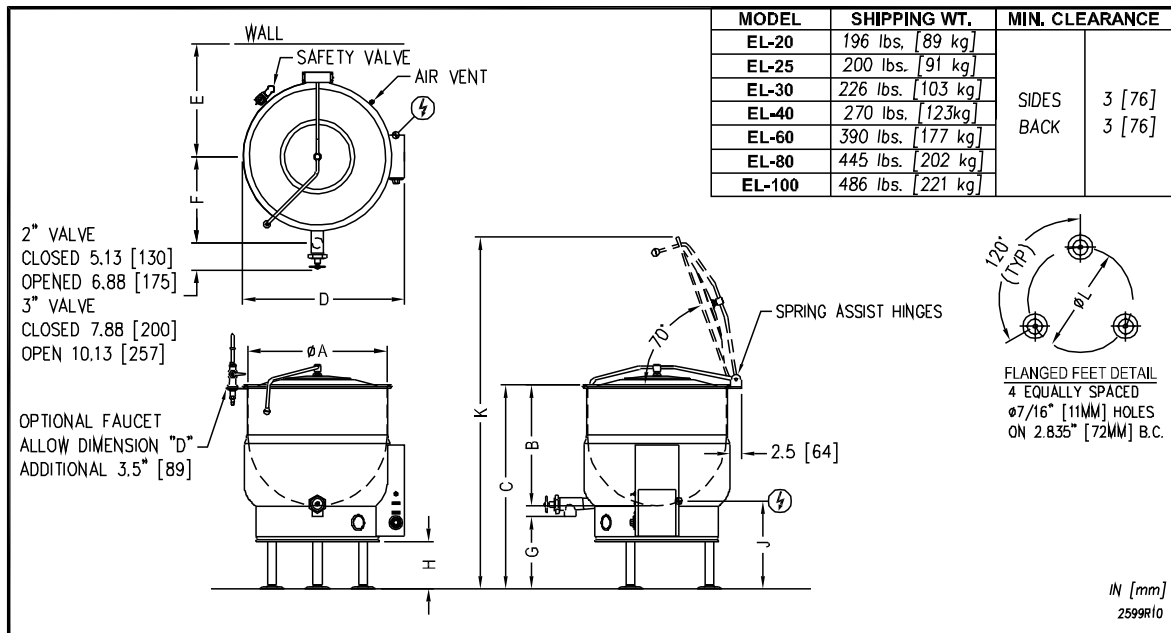
⚡ – ELECTRICAL CONNECTION TO BE AS SPECIFIED ON DATA PLATE

ELECTRICAL CHARACTERISTICS

Available kW			AMPS PER LINE								
MODEL	STD.	OPT.	kW	PHASE	208V	220V	240V	380V	415V	480V	600V
EL-[20,25]	12	N/A	12	1	57.7	54.5	50.0	N/A	N/A	N/A	N/A
EL-30	15	N/A		3	33.3	31.5	28.9	18.2	16.7	14.4	11.6
EL-40	18	24	15	1	72.1	68.2	62.5	N/A	N/A	N/A	N/A
EL-60	18	24, 33		3	41.6	39.4	36.1	22.8	20.9	18.0	14.5
EL-80	18	24, 33	18	1	86.5	81.8	75.0	N/A	N/A	N/A	N/A
EL-100	24	33		3	50.0	47.2	43.3	27.3	25.0	21.7	17.3
			24	3	66.6	63.0	57.7	36.5	33.4	28.9	23.1
			33	3	91.6	86.6	79.4	50.1	45.9	39.7	31.8

DIMENSIONS

MODEL	CAPACITY	UNITS	A	B	C	D	E	F(2")	F(3")	G(2")	G(3")	H	J	K	L
EL-20	20 U.S. gal. 76 litres	Inches mm	21 533	18 457	38 965	25.25 641	18.5 470	14.75 375	15.5 394	18 457	17.13 435	13.38 340	20.75 527	60.5 1537	16.5 419
EL-25	25 U.S. gal. 95 litres	inches mm	21 533	21.25 540	37.25 946	25.25 641	18.5 470	14.75 375	15.5 394	14.12 358	13.13 333	9.5 241	17 432	58.75 1492	16.5 419
EL-30	30 U.S. gal. 114 litres	inches mm	24 610	20 508	38 965	28.25 718	20 508	16 406	16.5 419	15.75 400	15 381	11.25 286	18.88 479	63.5 1613	18 457
EL-40	40 U.S. gal. 152 litres	inches mm	26 660	22.5 572	38 965	30.25 768	21 533	17 432	18 457	13.5 343	12.5 318	8.88 225	16.38 416	65 1651	19.63 498
EL-60	60 U.S. gal. 227 litres	inches mm	29.5 749	26 660	42 1067	33.75 857	20.63 524	18 457	19.25 489	13.88 352	12.88 327	9.63 244	17.13 435	75 1905	22.88 581
EL-80	80 U.S. gal. 303 litres	inches mm	33 838	28 711	45 1143	37 940	22.38 568	19.5 495	20.5 521	14.88 378	13.88 352	11.25 286	18.63 473	81 2058	26 660
EL-100	100 U.S. gal. 379 litres	Inches mm	35.5 902	30 762	48 1219	40 1016	23.63 600	21.5 546	22.5 572	15 381	14.5 368	13 330	20.5 521	87 2210	29.13 740



As continued product improvement is a policy of Crown, specifications are subject to change without notice.

INSTALLATION AND OPERATION MANUAL, SELF GENERATING STEAM JACKETED KETTLES, MODELS EL AND EP

1.0 SERVICE CONNECTIONS

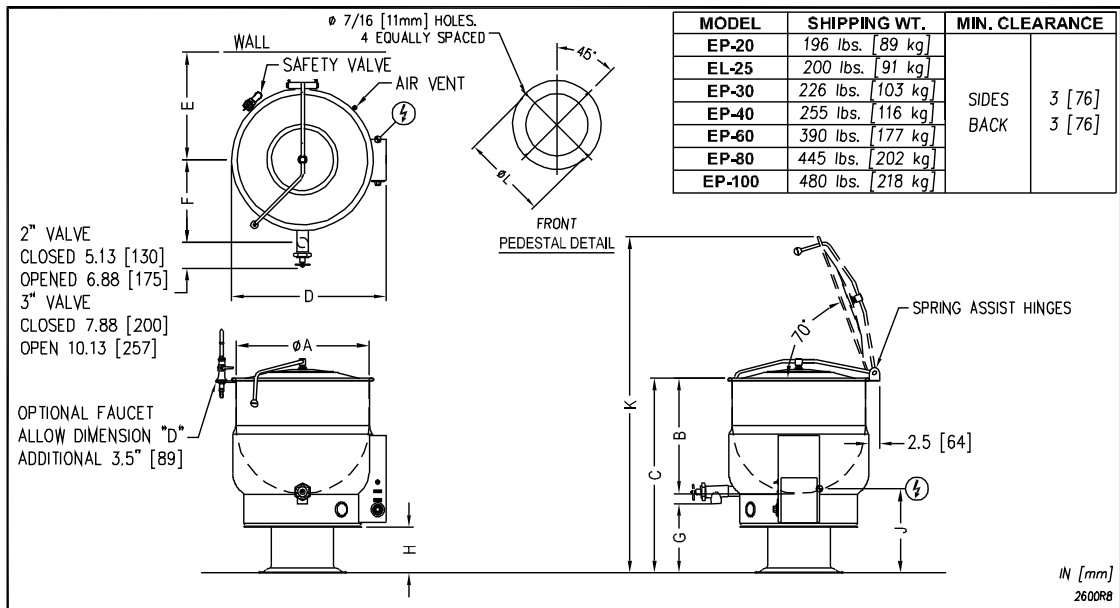
⚡ – ELECTRICAL CONNECTION TO BE AS SPECIFIED ON DATA PLATE

ELECTRICAL CHARACTERISTICS

Available kW			AMPS PER LINE								
MODEL	STD.	OPT.	kW	PHASE	208V	220V	240V	380V	415V	480V	600V
EP-[20,25]	12	N/A	12	1	57.7	54.5	50.0	N/A	N/A	N/A	N/A
EP-30	15	N/A		3	33.3	31.5	28.9	18.2	16.7	14.4	11.6
EP-40	18	24	15	1	72.1	68.2	62.5	N/A	N/A	N/A	N/A
EP-60	18	24, 33		3	41.6	39.4	36.1	22.8	20.9	18.0	14.5
EP-80	18	24, 33	18	1	86.5	81.8	75.0	N/A	N/A	N/A	N/A
EP-100	24	33		3	50.0	47.2	43.3	27.3	25.0	21.7	17.3
			24	3	66.6	63.0	57.7	36.5	33.4	28.9	23.1
			33	3	91.6	86.6	79.4	50.1	45.9	39.7	31.8

DIMENSIONS

MODEL	CAPACITY	UNITS	A	B	C	D	E	F(2")	F(3")	G(2")	G(3")	H	J	K	L
EP-20	20 U.S. gal. 76 litres	inches	21	18	38	25.25	18.5	14.75	15.5	18	17.13	13.38	20.75	60.5	16.63
		mm	533	457	965	641	470	375	394	457	435	340	527	1537	422
EP-25	25 U.S. gal. 95 litres	inches	21	21.25	37.25	25.25	18.5	14.75	15.5	14.12	13.13	9.5	17	58.75	16.5
		mm	533	540	946	641	470	375	394	358	333	241	432	1492	419
EP-30	30 U.S. gal. 114 litres	inches	24	20	38	28.25	20	16	16.5	15.75	15	11.25	18.88	63.5	16.63
		mm	610	508	965	718	508	406	419	400	381	286	479	1613	422
EP-40	40 U.S. gal. 152 litres	inches	26	22.5	38	30.25	21	17	18	13.5	12.5	8.88	16.38	65	16.63
		mm	660	572	965	768	533	432	457	343	318	225	416	1651	422
EP-60	60 U.S. gal. 227 litres	inches	29.5	26	42	33.75	20.63	18	19.25	13.88	12.88	9.63	17.13	75	16.63
		mm	749	660	1067	857	524	457	489	352	327	244	435	1905	422
EP-80	80 U.S. gal. 303 litres	inches	33	28	45	37	22.38	19.5	20.5	14.88	13.88	11.25	18.63	81	19.63
		mm	838	711	1143	940	568	495	521	378	352	286	473	2058	498
EP-100	100 U.S. gal. 379 litres	inches	35.5	30	48	40	23.63	21.5	22.5	15	14.5	13	20.5	87	19.63
		mm	902	762	1219	1016	600	546	572	381	368	330	521	2210	498



As continued product improvement is a policy of Crown, specifications are subject to change without notice.

INSTALLATION AND OPERATION MANUAL,
SELF GENERATING STEAM JACKETED KETTLES, MODELS EL AND EP

INSTALLATION AND SERVICE CONNECTIONS

2.0 INSTALLATION INSTRUCTIONS

UNPACKING

Immediately after unpacking, check for possible shipping damage. If the kettle is found to be damaged, save the packaging material and contact the carrier within 15 days of delivery.

Before installing, verify that the electrical service agrees with the specifications on the rating plate located on the lower rear of the kettle. If the supply and equipment requirements do not agree, contact your dealer or Crown Food Service Equipment Ltd.

Select a location with drainage directly below the tangent draw-off. Allow sufficient rear clearance from wall for kettle cover to lift upright freely and completely without obstructions.

INSTALLATION

1. The kettle must be installed in accordance with:
 1. State and/or local codes.
 2. In the USA, the National Electrical code, ANSI/NFPA-70 (latest edition). In Canada, the Canadian Electrical Code, Part 1, CSA Standard C22.1 (latest edition).
2. Set the kettle in the installation location.
3. With the kettle in position, place a carpenter's level on top of the kettle and turn the adjustable feet to level kettle side-to-side and front to back. On EP models use shims to level kettle.
4. Mark hole locations on floor through anchoring holes provided in flanged adjustable feet, or holes provided on pedestal base.
5. Remove kettle and drill holes in locations marked on the floor (see installation diagram). Insert proper anchoring devices to accommodate 5/16" size lag bolts (not supplied).
6. Reposition kettle. Re-level kettle by making necessary adjustments on flanged feet or shims.
7. Bolt down kettle and seal with Silastic or other equivalent sealing compound. Sealant must be applied not only to bolt heads but also around flanges or pedestal base making contact with floor surface to fulfill NSF requirements. Wipe off excess sealant immediately.

INSTALLATION AND OPERATION MANUAL,
SELF GENERATING STEAM JACKETED KETTLES, MODELS EL AND EP

2.0 INSTALLATION INSTRUCTIONS (Continued)



WARNING: Disconnect the electrical power supply and place a tag at the disconnect switch to indicate that you are working on the circuit.

ELECTRICAL CONNECTIONS

A Control Box with power supply equivalent to electrical rating of the kettle should be located conveniently nearby.

Remove the wiring compartment cover and make electrical connections per wiring diagram located inside the control housing cover panel. A waterproof electrical connection from power supply to rear of control housing must be provided.

Kettle must be grounded in accordance with requirements of the National Electrical Code or applicable local codes.

Ground kettle to terminal provided in control housing.

Once proper connections are made, replace wiring compartment cover, turn power ON and check for proper operation.

SERVICE CONNECTIONS

All internal wiring for the kettle is complete.

If faucet is provided connect water supply and check for proper operation.

INSTALLATION CODES AND STANDARDS

Your electric kettle must be installed in accordance with:

1. Provincial and local codes, or in the absence of local codes, with: C.S.A. C22.1 Canadian Electrical Code, Part 1, or in the U.S.A., the National Electrical Code ANSI/NFPA-70 (latest edition).
2. ANSI NFPA Standard #96, "Vapor Removal from Cooking Equipment," (latest edition), available from the National Fire Protection Association, Batterymarch Park, Quincy, MA, USA, 02269.

INSTALLATION AND OPERATION MANUAL,
SELF GENERATING STEAM JACKETED KETTLES, MODELS EL AND EP

INTRODUCTION

3.0 DESCRIPTION

All electrically powered kettles described and referred to in this manual are pressure vessels of a double-wall construction forming a sealed jacket (chamber) enveloping the lower two thirds of the kettle bowl surface.

The kettle bowl is the container for the food product which ideally should be a liquid or semi-liquid consistency to achieve complete contact with the bowl surface and thus fully absorb the heat transmitted through that surface from the pressurized steam generated in the kettle jacket.

The jacket is intended to function as a self contained sealed chamber with a permanent solution of water and antifreeze sufficient not only to immerse and thereby protect replaceable electric heating elements, but also provide the steam source during the steam generating process.

The heating elements are thermostatically dial controlled to provide precise temperatures throughout the range from slow simmer to rolling boil.

All stationary kettles are intended to be permanently floor mounted on legs with adjustable flanged feet (EL models) or pedestals (EP models).

All kettles are equipped with a hinged counterbalanced stainless steel lid covering the kettle bowl opening, a sanitary stainless steel tangent draw-off valve for the removal of the food product from the kettle bowl, and a safety relief valve plumbed to the kettle jacket.

4.0 CAPACITIES

All models are suffixed with either - 20, - 25, - 30, - 40, - 60, - 80 or -100 to indicate the capacity of that kettle in US gallons. Thus an EL-40 indicates a two thirds jacketed electrically powered steam kettle mounted on legs with a capacity of 40 US gallons.

INSTALLATION AND OPERATION MANUAL,
SELF GENERATING STEAM JACKETED KETTLES, MODELS EL AND EP

5.0 FUNCTIONING MODE

All electrically powered self steam generating kettles consist of a jacket charged with a solution of water and antifreeze sufficient to completely immerse and protect replaceable electric heating elements.

To minimize tampering, the Safety Valve is plumbed toward the rear of the kettle jacket. Should any component malfunction and cause the pressure in the jacket to reach the rated pressure of the kettle, this protective device will open automatically and release excessive pressurized steam.

When the Power Switch is turned ON and the Temperature Control (Thermostat) Knob dialed simultaneously, TEMPERATURE pilot light will come on and contactors will close to allow power to elements. Steam generation will commence and continue until the water contained in the jacket reaches the thermostatic temperature, manually preselected, at which point the Temperature (thermostat) Control will de-energize and open the contactors cutting off power to heating elements and TEMPERATURE pilot light will go off. When the temperature of the water in the jacket drops slightly, the cycle will repeat itself thus making it possible to maintain any selected precise cooking mode temperature.

The temperature required for the cooking process to function adequately must be greater than the boiling point of the liquid food product. Further, the higher the temperature, the greater the steam pressure attained in the jacket and consequently the quicker the cooking process. For example, steam pressurized at 30 p.s.i. attains a temperature of 274° Fahrenheit.

Since air is an unsuitable media through which heat may be transferred, it has been removed from the kettle jacket during testing at factory. The Pressure Gauge should indicate vacuum in the jacket, in the green vacuum zone on the gauge (approximately 25 - 30 inches Hg), when the kettle is cold or has been inoperative for some time. The kettle jacket is intended to function at all times as a completely sealed self-contained chamber and it is especially advisable not to trip the safety relief valve during inoperative periods since this will break the vacuum seal and allow air to enter the kettle jacket.

It should be noted that Temperature Controls (thermostats) used on these particular kettles have an ultimate high limit temperature and this setting will prevent the heating elements from ever generating steam pressure to reach or exceed the rated working pressure of these kettles. Further should the Temperature Control fail, an unlikely condition, and consequently the circuit to the heating elements remain energized, the Safety Valve will blow and release steam (i.e., water) from the self contained sealed kettle jacket and consequently lower the water level in the jacket. A Safety Probe is incorporated in the circuit to sense depletion of the water level in the kettle jacket and will not only activate the LOW WATER level indicator pilot light but also signal the Liquid Level Control to switch off power and de-energize the circuit to the heating elements (preventing element burn outs) until the water level is adequately replenished.

INSTALLATION AND OPERATION MANUAL,
SELF GENERATING STEAM JACKETED KETTLES, MODELS EL AND EP

6.0 OPERATION INSTRUCTIONS



WARNING: The kettle and its parts are hot. Use care when operating, cleaning and servicing the kettle.

Ensure that the external electrical service to kettle is on.

Check pressure gauge for correct cold kettle reading. Reading should be in the green area of the gauge indicating 25 - 30 In. Hg (630 - 730 mm Hg) of vacuum. If reading is not low enough, follow VENTING procedure in Troubleshooting section prior to using kettle.

Place power switch to ON position.

Preheat kettle by placing thermostat knob at '10' and wait until TEMPERATURE light goes off.

NOTE: Preheating should not be used when cooking milk and egg food products which adhere to hot cooking surfaces. These foods should be placed into kettle before heating has begun.

Add food to be cooked into kettle.

Place thermostat knob at required temperature setting from 1 to 10 coinciding with the following table:

INSTALLATION AND OPERATION MANUAL,
SELF GENERATING STEAM JACKETED KETTLES, MODELS EL AND EP

6.0 OPERATION INSTRUCTIONS (Continued)

THERMOSTAT SETTING	APPROXIMATE (JACKET) TEMPERATURE	
1	90° Fahrenheit	30° Celsius
2	118° Fahrenheit	42° Celsius
3	138° Fahrenheit	54° Celsius
4	158° Fahrenheit	64° Celsius
5	178° Fahrenheit	76° Celsius
6	200° Fahrenheit	88° Celsius
7	220° Fahrenheit	100° Celsius
8	240° Fahrenheit	111° Celsius
9	260° Fahrenheit	122° Celsius
10	280° Fahrenheit	134° Celsius

When cooking is finished set thermostat knob and power switch to OFF position.

Empty product from kettle using draw-off valve. Be careful to avoid splashing.

Add water to kettle for cleaning purposes.

Wash kettle thoroughly. See CLEANING procedure, next section.

INSTALLATION AND OPERATION MANUAL,
SELF GENERATING STEAM JACKETED KETTLES, MODELS EL AND EP

7.0 CLEANING INSTRUCTIONS



CAUTION: Do not use cleaning agents that are corrosive.



WARNING: Disconnect the power supply to the appliance before cleaning or servicing.



WARNING: Never spray water into electric controls or components!



CAUTION: The equipment and its parts are hot. Use care when operating, cleaning and servicing.

Your kettle should be cleaned immediately after each use or when cooking a different product. Before cleaning, check that the kettle has cooled enough to touch it.

1. Rinse the inside of the kettle thoroughly and drain to remove any food particles.
2. Using a nylon brush, clean the kettle with a mild detergent and water. Never use steel wool or scouring powder as it will scratch stainless steel. Plain steel wool can leave small pieces of steel which can rust.
3. Rinse the inside of the kettle thoroughly with clean water. Drain the kettle by using the tangent draw-off valve to allow the detergent and water solution to drain.
4. Wipe the exterior of the kettle with a clean, damp cloth.



WARNING: If you are cleaning a valve that is assembled to a kettle, be sure the kettle is completely empty of any product.

INSTALLATION AND OPERATION MANUAL,
SELF GENERATING STEAM JACKETED KETTLES, MODELS EL AND EP

DRAW-OFF VALVE CLEANING

NOTICE: Draw-off valve has a vulcanized rubber coated stem for better sealing. Do not over tighten. This may cause the rubber to pull away from stem and permanently damage it. This is not covered under warranty.

1. Turn the large hex nut on the draw-off valve counterclockwise until it is completely disengaged from the threads. Grasp the valve knob and slowly pull out the valve stem. Wash the valve stem, disk and handle. Insert a nylon brush, wet with detergent and water, into the valve body and tangent draw-off tube. Brush vigorously.
2. Replace the valve stem assembly and turn the hex nut until snug. Rinse the kettle with clean warm water.
3. Leave the draw-off valve open when the kettle is not in use.

DAIRY DRAW-OFF VALVE CLEANING

1. Remove the plug by first removing the handle, then turn the plug to line up with the pin and pull with both hands. It is important to use both hands because the plug is heavy.
2. Put the plug in a plastic pail that contains a mild soap solution. A plastic pail works best, as it reduces the possibility of nicking or scratching the plug. If the plug gets scratched it may not seal correctly and could leak.
3. Use a soft cloth or soft brush and clean all surfaces.
4. Using both hands remove the valve from the soap and rinse well in another plastic pail that contains fresh water.
5. Wash out the kettle as normal.
6. Return the plug into the body. Be sure the plug is inserted into the notch and turned. Ensure the plug is tight and secure before letting go of it.

If you are cleaning a body and plug assembly, remove the plug and follow the above procedures. When finished with the plug, follow the same instructions for washing the body. Always use both hands when handling the plugs. Reassemble the plug into the body and use as normal.

INSTALLATION AND OPERATION MANUAL,
SELF GENERATING STEAM JACKETED KETTLES, MODELS EL AND EP

WHAT TO DO IF SURFACE RUST APPEARS

Metal utensils should never be used as they will scratch the surface of the equipment and rust may begin to form. To remove surface accumulation of rust from the inadvertent use of such utensils, the following procedure may be used.

	CAUTION: Improper use of this procedure may damage your appliance!
---	---

1. Use undiluted white vinegar with a non-abrasive scouring pad (plastic) or cloth on the affected area to remove the rust stain. The appliance should not be heated and remain at room temperature during the entire cleaning process.
2. If the stain resists removal, additional exposure time with vinegar may be required, to a maximum of one hour.
3. Thoroughly wash all of the vinegar away with fresh clear water. Dry the surface completely and allow one hour before using the appliance to cook.

Following daily and period maintenance procedures will prolong the life for your equipment. Climatic conditions - salt air - may require more thorough and frequent cleaning or the life of the equipment could be adversely affected.

STAINLESS STEEL

To remove normal dirt, grease or product residue from stainless steel, use ordinary soap and water (with or without detergent) applied with a sponge or cloth. Dry thoroughly with a clean cloth. Never use vinegar or any other corrosive cleaner.

To remove grease and food splatters or condensed vapours that have baked on the equipment, apply cleanser to a damp cloth or sponge and rub cleanser on the metal in the direction of the polishing lines. Rubbing cleanser as gently as possible in the direction of the polished lines will not mar the finish of the stainless steel. **NEVER RUB WITH A CIRCULAR MOTION.**

Soil and burn deposits which do not respond to the above procedure can usually be removed by rubbing the surface with **SCOTCH-BRITE™** scouring pads or **STAINLESS** scouring pads. **DO NOT USE ORDINARY STEEL WOOL** as any particles left on the surface will rust and further spoil the appearance of the finish. **NEVER USE A WIRE BRUSH, STEEL SCOURING PADS (EXCEPT STAINLESS), SCRAPER, FILE OR OTHER STEEL TOOLS.** Surfaces which are marred collect dirt more rapidly and become more difficult to clean. Marring also increases the possibility of corrosive attack. Refinishing may then be required.

INSTALLATION AND OPERATION MANUAL,
SELF GENERATING STEAM JACKETED KETTLES, MODELS EL AND EP

STAINLESS STEEL (Continued)


TO REMOVE HEAT TINT: Darkened areas sometimes appear on stainless steel surfaces where the area has been subjected to excessive heat. These darkened areas are caused by thickening of the protective surface of the stainless steel and is not harmful. Heat tint can normally be removed by the foregoing, but tint which does not respond to this procedure calls for a vigorous scouring in the direction of the polish lines using **SCOTCH-BRITE™** scouring pads or a **STAINLESS** scouring pad in combination with a powdered cleanser. Heat tint action may be lessened by not applying or by reducing heat to equipment during slack periods.


All food contact surfaces must be thoroughly drained and flushed prior to cooking in the kettle.


CONTROL PANEL: The textured control panel should be cleaned with warm water and mild soap. Never use an abrasive cloth or steel wool. Never use cleaning solvents with a hydrocarbon base.

8.0 GENERAL MAINTENANCE

SAFETY VALVE MAINTENANCE AND TESTING

	<p>CAUTION! Under normal operating conditions a “try lever test” should be performed every two months. Under severe service conditions, or if corrosion and/or deposits are noticed within the valve body, testing must be performed more often. A “try lever test” should also be performed at the end of any non-service period.</p>
---	---

	<p>CAUTION! Hot, high pressure fluid may be discharged from body drain and vent during “try lever” test. Care must be taken to avoid any bodily contact.</p>
--	---

	<p>CAUTION! High sound levels may be experienced during “try lever” test. Wear proper safety equipment and exercise extreme care! Test at, or near, half of the operating pressure by holding the test lever fully open for at least two seconds to flush the valve seat free of sediment and debris. Then release lever and permit the valve to snap shut.</p> <p>If lift lever does not activate, or there is no evidence of discharge, turn off equipment immediately and contact a licensed contractor or qualified service personnel.</p>
---	---

INSTALLATION AND OPERATION MANUAL,
SELF GENERATING STEAM JACKETED KETTLES, MODELS EL AND EP

9.0 TROUBLESHOOTING

9.1 LOW WATER LEVEL

Proper water level must be maintained within the jacket for the kettle to operate. Depletion of water may occur from excessive opening of or leakage through the safety relief valve.

If water is below required operating level, either initially at start-up or during use, the kettle will automatically shut off and the LOW WATER signal light will come on.

In order for the kettle to operate, the following procedure must be followed:

The kettle must be cool before proceeding with the following steps.

1. Trip the safety relief valve lever to relieve all pressure from the kettle jacket.
2. At exterior rear of kettle jacket remove nut from Air Vent.
3. Insert funnel into Air Vent opening and slowly add the indicated amount of clean water for:

MODEL	ADD:		IF COMPLETELY EMPTY, ADD:	
EL-20, EL-25, EP-20, EP-25	140 ounces	4.14 litres	376 ounces	11.12 litres
EL-30, EP-30	150 ounces	4.44 litres	504 ounces	14.90 litres
EL-40, EP-40	220 ounces	6.50 litres	548 ounces	16.20 litres
EL-60, EP-60	250 ounces	7.39 litres	586 ounces	17.33 litres
EL-80, EP-80	340 ounces	10.05 litres	850 ounces	25.12 litres
EL-100, EP-100	420 ounces	12.42 litres	1088 ounces	32.17 litres

4. Replace air vent nut.
5. Follow AIR VENTING INSTRUCTIONS listed (9.5).
6. Continue normal operating procedure of kettle.

INSTALLATION AND OPERATION MANUAL,
SELF GENERATING STEAM JACKETED KETTLES, MODELS EL AND EP

9.0 TROUBLESHOOTING (Continued)

9.2 EXTREMELY SLOW COOKING TIME

If the cooking time is abnormally slow, then the difficulty may be due to air being present in the kettle jacket. To remove air, follow AIR VENTING INSTRUCTIONS.

If the kettle will not reach and maintain Pressure Gauge zone in the green area on the gauge when cold, a slow leak may have developed in the jacket. Check all fitting connections to jacket including the heating element gasket. Tighten or replace if necessary.

Slow cooking time may also be due to a burnt out heating element. Test elements and if defective, replace complete element assembly.

9.3 KETTLE WILL NOT OPERATE WHEN TURNED ON

Check that power supply is available to kettle.

Kettle will not operate if water level is inadequate in jacket. Follow 9.1 LOW WATER LEVEL instructions.

Also check for defective power switch or loose wire connections.

Initially, when Thermostat Knob is dialed and TEMPERATURE indicator light does not come on, then it may be assumed that malfunction is due to either a defective Thermostat or loose wiring connection(s). If TEMPERATURE indicator light comes on when Thermostat Knob is dialed fully (i.e. setting of '10'), then eventually the kettle should read its maximum temperature (290°F) in the jacket and a corresponding pressure reading of approximately 40 psi should be evident on the Pressure Gauge (on kettles rated at 50 psi).

Finally, when the kettle is turned ON and Thermostat Knob dialed, check that the Contactors are being energized and power is being made available to the heating elements. Replace defective Contactors.

9.4 DRAW-OFF VALVE LEAKS

If leak occurs through the valve stem, replace the "O" ring. If the leak can be attributed to faulty sealing occurring between the stem disc and valve seat, then this may be due to dried on food residue. Clean the dried on food residue with an extremely fine emery cloth. If the rubber vulcanized stem piece has been damaged it must be replaced.

INSTALLATION AND OPERATION MANUAL,
SELF GENERATING STEAM JACKETED KETTLES, MODELS EL AND EP

NOTICE: Draw-off valve has a vulcanized rubber coated stem for better sealing. Do not over tighten. This may cause the rubber to pull away from stem and permanently damage it. This is not covered under warranty.

9.5 VENTING INSTRUCTIONS

Check vacuum/pressure gauge when the kettle is cold. Gauge should be in the green vacuum zone. If not, air must be vented (removed) for proper heating. Use the following procedures to vent air.

1. With the kettle empty, place power switch in ON position.
2. Set temperature control thermostat to '10'. Heat kettle until indicator light goes off.
3. Using a 7/16" wrench, open bleed vent one full turn for 10 seconds and then close.



WARNING: SCALD HAZARD. Live steam will escape the bleed nut when opened. Stay clear of live steam when performing this operation.

4. Cool kettle. Check for proper vacuum in green vacuum zone. If reading is not low enough, repeat entire procedure, steps 1 - 4.

NOTICE: Contact the factory, the factory representative or local service company to perform maintenance and repairs.

INSTALLATION AND OPERATION MANUAL,
SELF GENERATING STEAM JACKETED KETTLES, MODELS EL AND EP

APPENDIX 'A'

MATERIAL SAFETY DATA SHEET

PREPARATION INFORMATION:

Prepared for use in Canada by: E H & S Product Regulatory Management Department
DOW CHEMICAL CANADA INC.
P.O. Box 1012
Sarnia, Ontario, N7T 7K7

(800) 331-6451

1. CHEMICAL PRODUCT AND COMPANY IDENTIFICATION

IN CASE OF EMERGENCY: Fort Saskatchewan, Alberta: (780) 998-8282
Sarnia, Ontario: (519) 339-3711
Varenes, Quebec: (450) 652-1000

Product: **DOWFROST* HD HEAT TRANSFER FLUID, DYED**

Product Code: 04632

Effective Date: 2/20/01 Date Printed: 07/10/02 MSD: 002239

DOW CHEMICAL CANADA INC.
P.O. Box 1012
Sarnia, Ontario, N7T 7K7

Prepared for use in Canada by the E H & S Product Regulatory Management Department;
Phone: (800) 331-6451.

2. COMPOSITION/INFORMATION ON INGREDIENTS

Propylene Glycol	CAS# 000057-55-6	94%
Dipotassium Phosphate	CAS# 007758-11-4	<5%
Deionized Water	CAS# 007732-18-5	<5%

** or (R) indicates a trademark of The Dow Chemical Company.*

INSTALLATION AND OPERATION MANUAL,
SELF GENERATING STEAM JACKETED KETTLES, MODELS EL AND EP

MATERIAL SAFETY DATA SHEET

Product: DOWFROST* HD HEAT TRANSFER FLUID, DYED

Product Code: 04632

Effective Date: 02/20/01, Date Printed: 07/10/02, MSD: 002239

3. HAZARDS IDENTIFICATION

EMERGENCY OVERVIEW

Clear yellow liquid. Odourless. Avoid temperatures above 450°F, 232°C.
--

POTENTIAL HEALTH EFFECTS (See Section 11 for toxicological data.)

EYE: May cause slight transient (temporary) eye irritation. Corneal injury is unlikely. Mists may cause eye irritation.

SKIN CONTACT: Prolonged contact is essentially nonirritating to skin. A single prolonged exposure is not likely to result in the material being absorbed through skin in harmful amounts. Repeated exposures may cause flaking and softening of skin.

INGESTION: Single dose oral toxicity is considered to be extremely low. No hazards anticipated from swallowing small amounts incidental to normal handling operations.

INHALATION: At room temperature, vapours are minimal due to physical properties. Mists may cause irritation of upper respiratory tract (nose and throat).

SYSTEMIC (OTHER TARGET ORGAN) EFFECTS: Repeated excessive exposure to propylene glycol may cause central nervous system effects.

CANCER INFORMATION: Did not cause cancer in laboratory animals.

TERATOLOGY (BIRTH DEFECTS): Birth defects are unlikely. Exposures having no adverse effects on the mother should have no effect on the fetus.

REPRODUCTIVE EFFECTS: In animal studies, has been shown not to interfere with reproduction.

** or (R) indicates a trademark of The Dow Chemical Company.*

INSTALLATION AND OPERATION MANUAL,
SELF GENERATING STEAM JACKETED KETTLES, MODELS EL AND EP

MATERIAL SAFETY DATA SHEET

Product: DOWFROST* HD HEAT TRANSFER FLUID, DYED

Product Code: 04632

Effective Date: 02/20/01, Date Printed: 07/10/02, MSD: 002239

4. FIRST AID

EYES: Flush eyes with plenty of water.

SKIN: Wash off in flowing water or shower.

INGESTION: No adverse effects anticipated by this route of exposure incidental to proper industrial handling.

INHALATION: Remove to fresh air if effects occur. Consult a physician.

NOTE TO PHYSICIAN: No specific antidote. Supportive care. Treatment based on judgment of the physician in response to reactions of the patient.

5. FIRE FIGHTING MEASURES

FLAMMABLE PROPERTIES

FLASH POINT: 214°F, 107°C (based on a similar material)

METHOD USED: PMCC

AUTOIGNITION TEMPERATURE: NOT DETERMINED

FLAMMABILITY LIMITS

LFL: Not determined

UFL: Not determined

** or (R) indicates a trademark of The Dow Chemical Company.*

INSTALLATION AND OPERATION MANUAL,
SELF GENERATING STEAM JACKETED KETTLES, MODELS EL AND EP

MATERIAL SAFETY DATA SHEET

Product: DOWFROST* HD HEAT TRANSFER FLUID, DYED

Product Code: 04632

Effective Date: 02/20/01, Date Printed: 07/10/02, MSD: 002239

HAZARDOUS COMBUSTION PRODUCTS: During a fire, smoke may contain the original material in addition to unidentified toxic and/or irritating compounds. Hazardous combustion products may include and are not limited to carbon monoxide and carbon dioxide.

OTHER FLAMMABILITY INFORMATION: Violent steam generation or eruption may occur upon application of direct water stream to hot liquids. Flammable concentrations of vapour can accumulate at temperatures above 214°F. Liquid mist of this product can burn. Spills of these organic liquids on hot fibrous insulations may lead to lowering of the autoignition temperatures possibly resulting in spontaneous combustion. Container may rupture from gas generation in a fire situation.

EXTINGUISHING MEDIA: Water fog or fine spray, carbon dioxide, dry chemical, foam. Alcohol resistant foams (ATC type) are preferred if available. General purpose synthetic foams (including AFFF) or protein foams may function, but much less effectively. Do not use direct water stream. May spread fire.

MEDIA TO BE AVOIDED: Do not use direct water stream.

FIRE FIGHTING INSTRUCTIONS: Keep people away. Isolate fire area and deny unnecessary entry. Burning liquids may be moved by flushing with water to protect personnel and minimize property damage. Burning liquids may be extinguished by dilution with water. Do not use direct water stream. May spread fire. Fight fire from protected location or safe distance. Consider use of unmanned hose holder or monitor nozzles. Use water spray to cool fire exposed containers and fire affected zone until fire is out and danger of re-ignition has passed. Immediately withdraw all personnel from area in case of rising sound from venting safety device or discolouration of the container. Move container from fire area if this is possible without hazard.

PROTECTIVE EQUIPMENT FOR FIRE FIGHTERS: Wear positive-pressure self-contained breathing apparatus (SCBA) and protective fire fighting clothing (includes fire fighting helmet, coat, pants, boots and gloves). If protective equipment is not available or not used, fight fire from a protected location or safe distance.

** or (R) indicates a trademark of The Dow Chemical Company.*

INSTALLATION AND OPERATION MANUAL,
SELF GENERATING STEAM JACKETED KETTLES, MODELS EL AND EP

MATERIAL SAFETY DATA SHEET

Product: **DOWFROST* HD HEAT TRANSFER FLUID, DYED**

Product Code: **04632**

Effective Date: **02/20/01**, Date Printed: **07/10/02**, MSD: **002239**

6. ACCIDENTAL RELEASE MEASURES (See Section 15 for Regulatory Information.)

PROTECT PEOPLE: Use appropriate safety equipment. For additional information, refer to Section 8, Exposure Controls/ Personal Protection.

PROTECT THE ENVIRONMENT: Avoid contamination of all waterways.

CLEAN-UP: See Section 13, Disposal Consideration.

7. HANDLING AND STORAGE

SPECIAL PRECAUTIONS TO BE TAKEN IN HANDLING AND STORAGE: No special handling requirements data available.

HANDLING: See Section 8, Exposure Controls/Personal Protection.

STORAGE: See Section 10, Stability and Reactivity.

8. EXPOSURE CONTROLS/PERSONAL PROTECTION

ENGINEERING CONTROLS: Provide general and/or local exhaust ventilation to control airborne levels below the exposure guidelines.

PERSONAL PROTECTIVE EQUIPMENT

EYE/FACE PROTECTION: Use safety glasses. Safety glasses should be sufficient for most operations; however, for misty operations wear chemical goggles.

SKIN PROTECTION: Use gloves impervious to this material.

RESPIRATORY PROTECTION: Atmospheric levels should be maintained below the exposure guideline. When respiratory protection is required for certain operations, use an approved air-purifying respirator. In misty atmospheres, use an approved mist respirator.

** or (R) indicates a trademark of The Dow Chemical Company.*

INSTALLATION AND OPERATION MANUAL,
SELF GENERATING STEAM JACKETED KETTLES, MODELS EL AND EP

MATERIAL SAFETY DATA SHEET

Product: DOWFROST* HD HEAT TRANSFER FLUID, DYED

Product Code: 04632

Effective Date: 02/20/01, Date Printed: 07/10/02, MSD: 002239

EXPOSURE GUIDELINES: Propylene glycol: AIHA WEEL is 50 ppm total, 10 mg/m³ aerosol only.

9. PHYSICAL AND CHEMICAL PROPERTIES

APPEARANCE/PHYSICAL STATE:	Clear yellow liquid.
ODOUR:	Odourless
VAPOUR PRESSURE:	0.22 mmHg @ 20°C
VAPOUR DENSITY:	2.6
BOILING POINT:	320°F, 160°C
SOLUBILITY IN WATER/MISCIBILITY:	Complete
SPECIFIC GRAVITY OR DENSITY:	1.058 @ 25/25°C

10. STABILITY AND REACTIVITY

CHEMICAL STABILITY: Thermally stable at typical use temperatures.

CONDITIONS TO AVOID: Avoid use temperatures above 450°F, 232°C. Product can degrade at elevated temperatures. Generation of gas during decomposition can cause pressure in closed systems.

INCOMPATIBILITY WITH OTHER MATERIALS: Avoid contact with oxidizing materials. Avoid contact with strong acids

HAZARDOUS DECOMPOSITION PRODUCTS: Hazardous decomposition products depend upon temperature, air supply and the presence of other materials.

HAZARDOUS POLYMERIZATION: Will not occur.

11. TOXICOLOGICAL INFORMATION (See Section 3 for Potential Health Effects. For detailed toxicological data, write or call the address or non-emergency number shown in Section 1).

SKIN: The LD₅₀ for skin absorption in rabbits is >10,000 mg/kg.

** or (R) indicates a trademark of The Dow Chemical Company.*

INSTALLATION AND OPERATION MANUAL,
SELF GENERATING STEAM JACKETED KETTLES, MODELS EL AND EP

MATERIAL SAFETY DATA SHEET

Product: DOWFROST* HD HEAT TRANSFER FLUID, DYED

Product Code: 04632

Effective Date: 02/20/01, Date Printed: 07/10/02, MSD: 002239

SKIN: The LD50 for skin absorption in rabbits is >10,000 mg/kg.

INGESTION: The oral LD50 for rats is 20,000 - 34,000 mg/kg.

MUTAGENICITY: In vitro mutagenicity studies were negative. Animal mutagenicity studies were negative.

12. ECOLOGICAL INFORMATION (For detailed Ecological data, write or call the address or non-emergency number shown in Section 1.)

ENVIRONMENTAL FATE

MOVEMENT AND PARTITIONING: Based largely or completely on data for major component(s). Bioconcentration potential is low (BCF less than 100 or Log Pow less than 3). Potential for mobility in soil is very high (Koc between 0 and 50).

DEGRADATION AND PERSISTENCE: Based largely or completely on data for major component(s). Material is readily biodegradable. Passes OECD test(s) for ready biodegradability. Degradation is expected in the atmospheric environment within minutes to hours.

ECOTOXICITY: Based largely or completely on data for major component(s). Material is practically non-toxic to aquatic organisms on an acute basis (LC50/EC50 >100 mg/L in most sensitive species).

13. DISPOSAL CONSIDERATIONS (See Section 15 for Regulatory Information.)

DISPOSAL: DO NOT DUMP INTO ANY SEWERS, ON THE GROUND OR INTO ANY BODY OF WATER. All disposal methods must be in compliance with all Federal, State/Provincial and local laws and regulations. Regulations may vary in different locations. Waste characterizations and compliance with applicable laws are the responsibility solely of the waste generator. THE DOW CHEMICAL COMPANY HAS NO CONTROL OVER THE MANAGEMENT PRACTICES OR MANUFACTURING PROCESSES OF PARTIES HANDLING OR USING THIS MATERIAL. THE INFORMATION PRESENTED HERE PERTAINS ONLY TO THE PRODUCT AS SHIPPED IN ITS INTENDED CONDITION AS DESCRIBED IN MSDS SECTION 2 (Composition/Information On Ingredients).

** or (R) indicates a trademark of The Dow Chemical Company.*

INSTALLATION AND OPERATION MANUAL,
SELF GENERATING STEAM JACKETED KETTLES, MODELS EL AND EP

MATERIAL SAFETY DATA SHEET

Product: DOWFROST* HD HEAT TRANSFER FLUID, DYED

Product Code: 04632

Effective Date: 02/20/01, **Date Printed:** 07/10/02, **MSD:** 002239

FOR UNUSED AND UNCONTAMINATED PRODUCT, the preferred options include sending to a licensed, permitted: recycler, reclaimer, incinerator or other thermal destruction device.

As a service to its customers, Dow can provide names of information resources to help identify waste management companies and other facilities which recycle, reprocess or manage chemicals or plastics, and that manage used drums. Telephone Dow's Customer Information Center at 800-258-2436 or 989-832-1556 for further details.

14. TRANSPORT INFORMATION

DEPARTMENT OF TRANSPORTATION (D.O.T.): For D.O.T. regulatory information, if required, consult transportation regulations, product shipping papers, or contact your Dow representative.

CANADIAN TDG INFORMATION: For TDG regulatory information, if required, consult transportation regulations, product shipping papers, or your Dow representative.

15. REGULATORY INFORMATION (Not meant to be all-inclusive – selected regulations represented).

NOTICE: The information herein is presented in good faith and believed to be accurate as of the effective date shown above. However, no warranty, express or implied is given. Regulatory requirements are subject to change and may differ from one location to another; it is the buyer's responsibility to ensure that its activities comply with federal, state or provincial, and local laws. The following specific information is made for the purpose of complying with numerous federal, state or provincial, and local laws and regulations. See other sections for health and safety information.

** or (R) indicates a trademark of The Dow Chemical Company.*

INSTALLATION AND OPERATION MANUAL,
SELF GENERATING STEAM JACKETED KETTLES, MODELS EL AND EP

MATERIAL SAFETY DATA SHEET

Product: DOWFROST* HD HEAT TRANSFER FLUID, DYED

Product Code: 04632

Effective Date: 02/20/01, Date Printed: 07/10/02, MSD: 002239

U.S. REGULATIONS

SARA 313 INFORMATION: To the best of our knowledge, this product contains no chemical subject to SARA Title III Section 313 supplier notification requirements.

SARA HAZARD CATEGORY: This product has been reviewed according to the EPA "Hazard Categories" promulgated under Sections 311 and 312 of the Superfund Amendment and Reauthorization Act of 1986 (SARA Title III) and is considered, under applicable definitions, to meet the following categories:

Not to have met any hazard category.

TOXIC SUBSTANCES CONTROL ACT (TSCA):

All ingredients are on the TSCA inventory or are not required to be listed on the TSCA inventory.

STATE RIGHT-TO-KNOW: The following product components are cited on certain state lists as mentioned. Non-listed components may be shown in the composition section of the MSDS.

<u>CHEMICAL NAME</u>	<u>CAS NUMBER</u>	<u>LIST</u>
1, 2-Propanediol	000057-55-6	PA1

PA1= Pennsylvania Hazardous Substance (present at greater than or equal to 1.0%).

OSHA HAZARD COMMUNICATION STANDARD:

This product is not a "Hazardous Chemical" as defined by the OSHA Hazard Communication Standard, 29 CFR 1910.1200.

** or (R) indicates a trademark of The Dow Chemical Company.*

INSTALLATION AND OPERATION MANUAL,
SELF GENERATING STEAM JACKETED KETTLES, MODELS EL AND EP

MATERIAL SAFETY DATA SHEET

Product: DOWFROST* HD HEAT TRANSFER FLUID, DYED

Product Code: 04632

Effective Date: 02/20/01, Date Printed: 07/10/02, MSD: 002239

CANADIAN REGULATIONS

WHMIS INFORMATION: The Canadian Workplace Hazardous Materials Information System (WHMIS) Classification for this product is:

This product is not a "Controlled Product" under WHMIS.

CANADIAN ENVIRONMENTAL PROTECTION ACT (CEPA)

This product contains one or more substances which are not listed on the Canadian Domestic Substances List (DSL). Contact your Dow representative for more information.

16. OTHER INFORMATION

MSDS STATUS: Revised to 16 section format.

** or (R) indicates a trademark of The Dow Chemical Company.*

The information herein is given in good faith, but no warranty, express or implied, is made. Consult The Dow Chemical Company for further information.