

# STEAM-IT ELECTRIC PRESSURE COOKER



*Shown on optional stand with extra shelf*

ST-E (Three pan electric pressure cooker)

### Standard Features

Cooking compartment shall have a capacity of (3):

- (3) 12" x 20" x 2 1/2" pans (65mm)
- (2) 12" x 20" x 4" pans (10cm)

### Shipping Weight

- 125 lbs (57 kg)

## OPTIONS & ACCESSORIES AT ADDITIONAL COST

### Pans & Covers

- 12" x 20" pan cover
- 12" x 20" x 1" solid pan
- 12" x 20" x 1" perforated pan
- 12" x 20" x 2-1/2" solid pan
- 12" x 20" x 2-1/2" perforated pan

- 12" x 20" x 4" solid pan
- 12" x 20" x 4" perforated pan
- 12" x 20" x 6" solid pan
- 12" x 20" x 6" perforated pan

### Stands

- 28" tall stainless steel stand
- Extra shelf for 28" tall stand
- 6" Flanged Feet
- Cold water condensing kit
- Spray hose

## STANDARD CONSTRUCTION SPECIFICATIONS

The Market Forge Steam-it model ST-E Electrically Operated Pressure Cooker.

Steam-It shall have a 3/16" (5mm) aluminum welded seamless cooking compartment.

Exterior finish shall be stainless steel.

Door shall be self-sealing inside type which can't be opened under pressure.

Door is 12 gauge stainless steel, removable for cleaning without tools.

Door gasket is a one piece mold, replaceable without tools or cement.

Unit shall include set of (4) stainless steel adjustable feet.

Cooking compartment has a capacity of (3) 12" x 20" x 2-1/2" or (2) 12" x 20" x 4" pans.

Removable pan supports are included.

Cooking cycle is controlled by an automatic timer that will shut off and exhaust steam and condensate at end of cooking cycle.

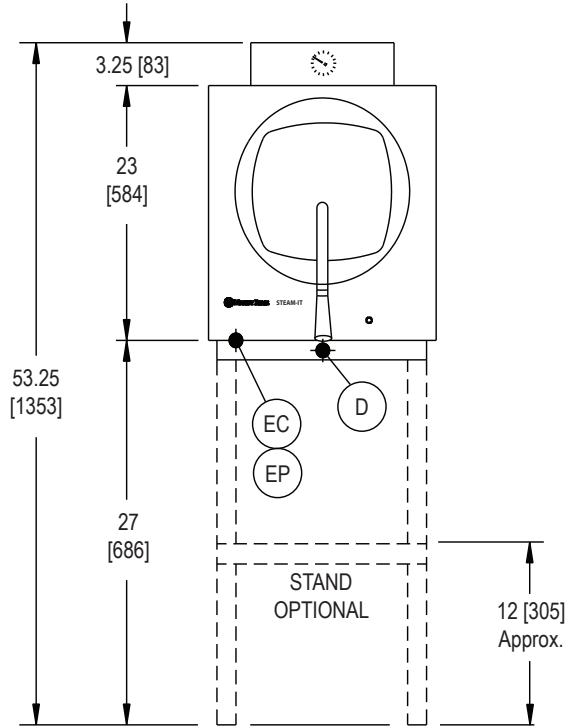
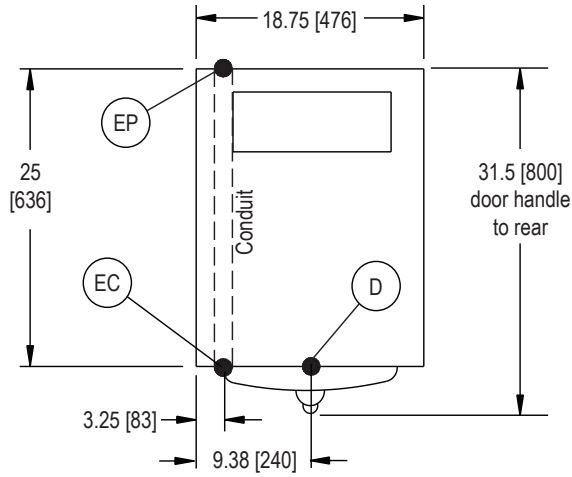
Unit includes 0-60 minute timer, a safety valve, steam pressure gauge, and will be completely serviceable from the front.



Approval Notes: \_\_\_\_\_

\_\_\_\_\_

DIMENSIONS ARE IN INCHES [MM]



**SERVICE CONNECTIONS**

SYMBOL	DESCRIPTION
EC	Electrical Connection - Connection for incoming power supply wires on terminal block
EP	Power Supply - 1-1/4" threaded access hole for power supply wires. Use wire suitable for at least 90°C. Nominal amps per line.
D	Drain - 1/2" 13mm O.D. tubing. Air break required for drain connection supplied by others

The manufacturer reserves the right to modify materials and specifications without notice.

**ELECTRICAL CHARACTERISTICS**

Volts	Phase	AMPS		
		9kW	12kW	12.5kW
208	1	43	-	-
	3	25	-	-
240	1	-	50	-
	3	-	29	-
440	3	-	16	-
480	3	-	-	16

Details of other electrical systems available upon request.

**WATER SUPPLY AND DRAIN SPECIFICATIONS**

Good quality water feed is the responsibility of the owner. Water quality must be within the following general guidelines.

TDS: 40-125 ppm    Hardness: 35-100 ppm    pH: 7.0 - 8.5    Silica: <13 ppm    Chlorides: <25 ppm    Chlorine: <0.2 ppm    Chloramine: <0.2 ppm

The best defense against poor water quality is a water treatment system designed to meet your water quality conditions.

Appliance to be installed with backflow protection according to federal, state or local codes.

**INTENDED FOR COMMERCIAL USE ONLY.  
NOT FOR HOUSEHOLD USE.**

