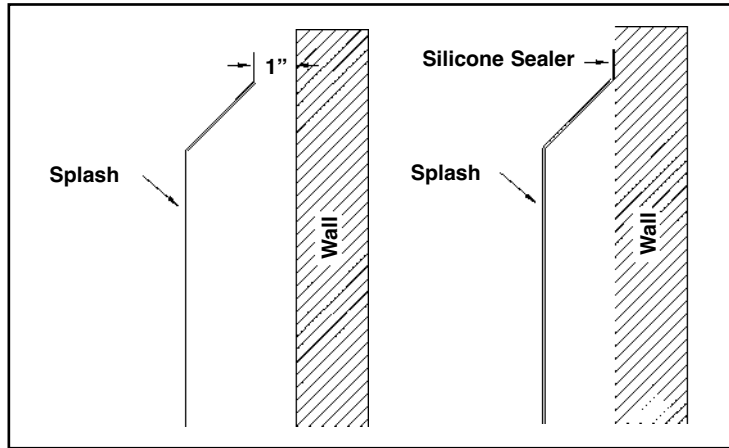


### STEP 5

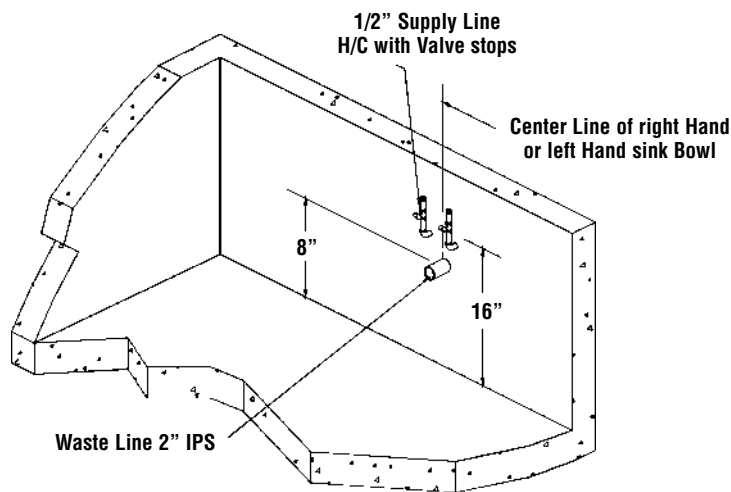
Set Unit in place and level by means of adjustable bullet feet.

### STEP 6

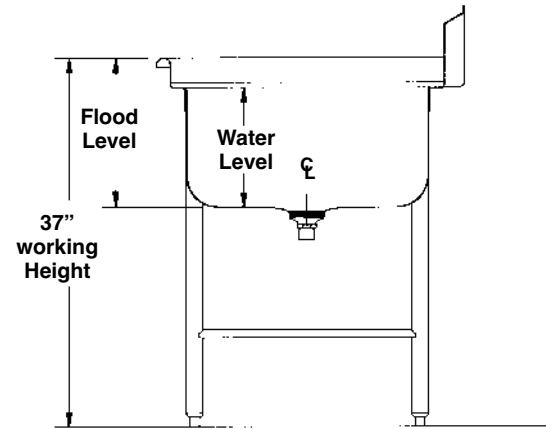
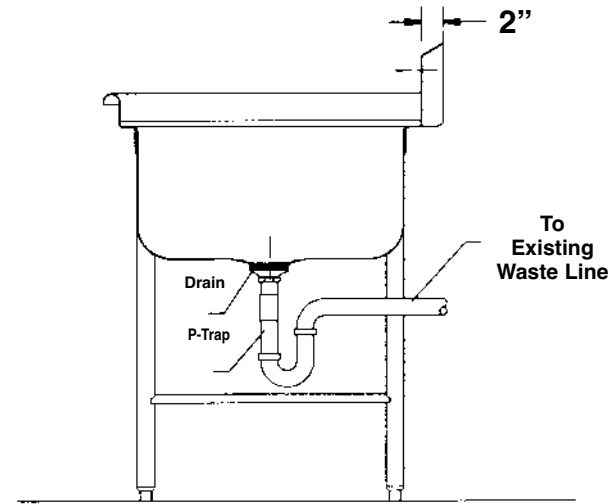
NSF Installations require Sink Unit to be sealed to wall or installed at least 1" off the wall.



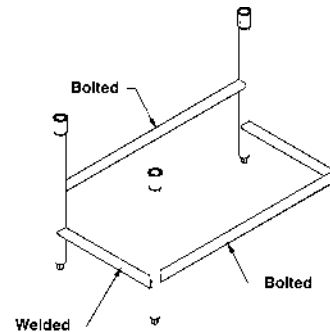
### Suggested Rough Plumbing Dimensions



### PLUMBING ROUGH-IN



### "940 Series" Cross Bracing



EDGEWOOD, NY 11717-8380

© ADVANCE TABCO, SEPTEMBER 2008



## INSTALLATION INSTRUCTIONS for REGALINE KITCHEN SINKS



**CHECK FOR CONCEALED DAMAGE  
FILE CLAIM WITH DELIVERING FREIGHT CARRIER**

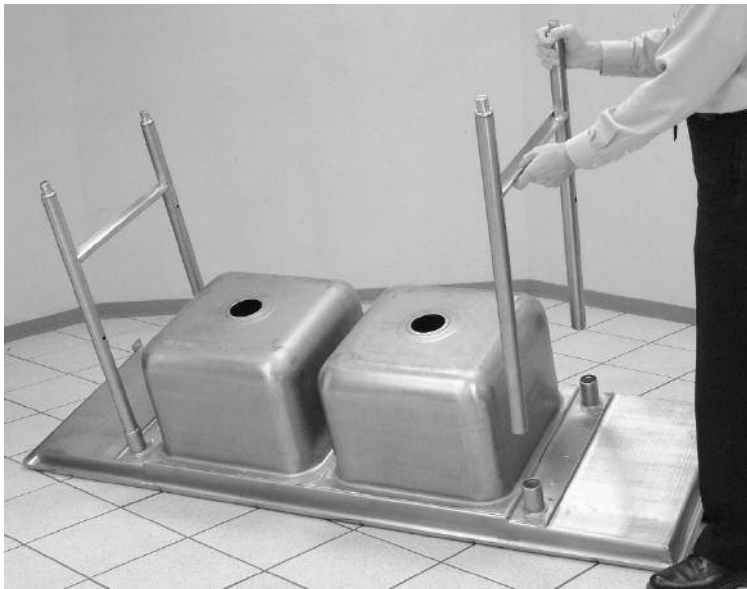
Sinks manufactured by **ADVANCE TABCO®** are designed and constructed for the use of liquid containment. Suggested applications include Food Preparation, Manufacturing, Cooking, Laboratory and Service and the like. **ADVANCE TABCO®** does not recommend product use for activities employing harsh and active chemicals. Please consult factory regarding unusual applications.

## THIS CARTON CONTAINS:

- SINK UNIT
- LEG ASSEMBLY
- DRAINS (1 for each sink bowl)
- CROSS BRACING (940 Series only)

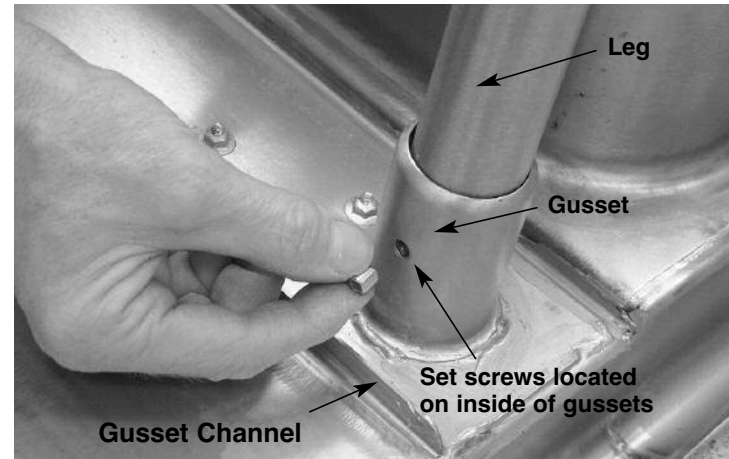
### STEP 1

Remove contents of carton/crate and position sink as shown (Upside down). Insert legs into Gusset.



### STEP 2

Secure allen head SET SCREWS with allen wrench and tighten.

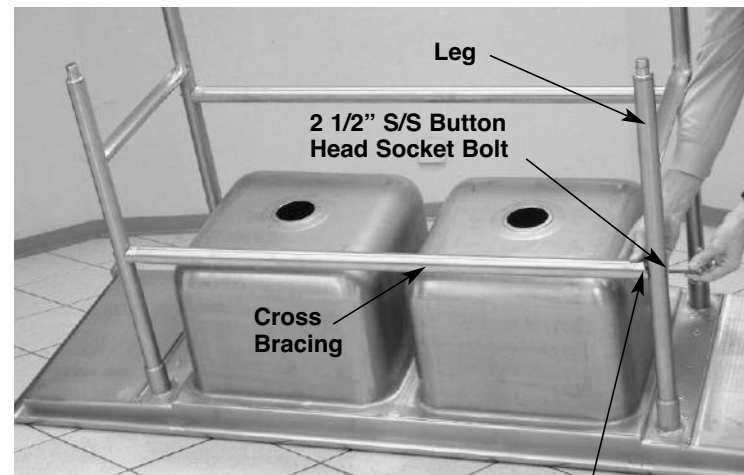


Underside of Drainboard

**NSF Installations require all setscrews filled with an approved Silicone Sealer.**

### 940 Series Only

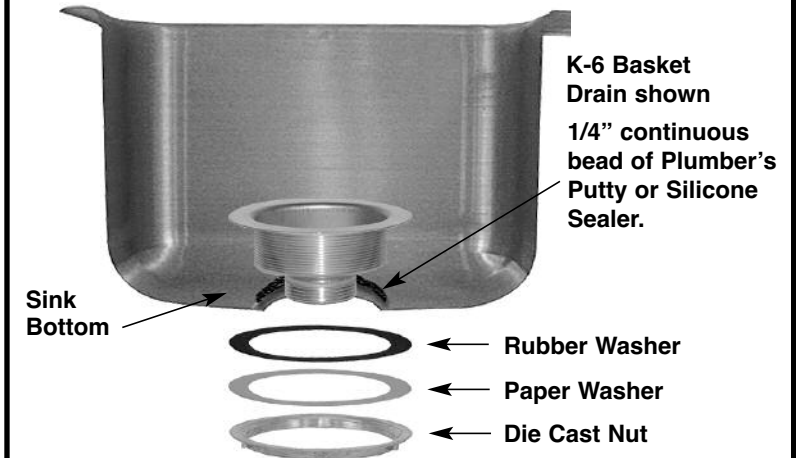
**NOTE:** Install legs with lower (Cross Brace) hole at front of sink - allowing adequate clearance for Lever Handle.



Head of socket and joint (Cross Brace) to be filled in the field at the time of installation using NSF approved silicone sealer (both ends).

### STEP 4

Place Sink upright and install drains and faucet. Your knowledgeable plumbing contractor is responsible for local code requirements.



**OPTION: May be furnished with remote operated lever drains or specialty faucets.**

