

INSTALLATION INSTRUCTIONS FOR STAINLESS STEEL COUNTERTOPS

Galvanized Hat Channels

(3 channels are supplied with 30" wide countertops as shown.
2 Hat Channels Are Supplied With 25" Countertops)

A = Angle Bracket (Provided)
B = Galvanized Hat Channels
(Attached Underside of Countertop)

TOOLS RECOMMENDED:

- Screw Gun
- Drill Bits
- Self-Tapping Sheet Metal Screws (Not Included)
- Wood Screws (Not Included)

STEP 1: Place Countertop onto Cabinet Base. Make sure the Countertop is level and in correct position.

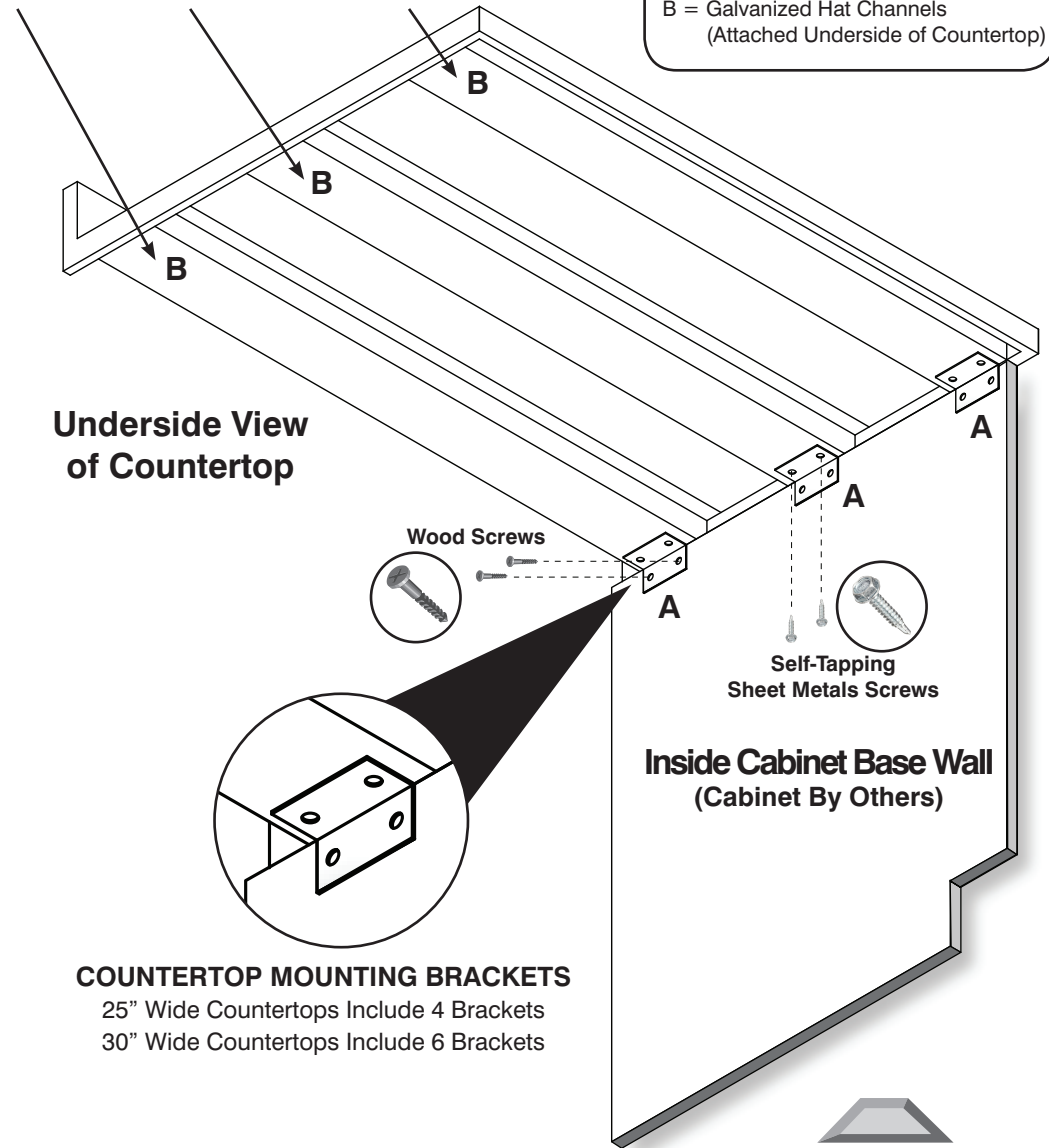
STEP 2: Position Angle Bracket (A) onto center of Hat Channel (B) and affix Angles to Hat Channel using Self-Tapping Screws and to Cabinet Base Using Wood Screws. With a Screw Gun, use 3/4" x 3/8" Self-Tapping Sheet Metal Screws and secure all Brackets to the ends of each Hat Channel.

IMPORTANT NOTE: ANGLE BRACKETS ARE TO BE AFFIXED TO HAT CHANNELS ONLY! NOT DIRECTLY TO UNDERSIDE OF COUNTERTOP.

For Additional Assistance,
Please call Customer Service at:

1-800-645-3166

Underside View of Countertop



COUNTERTOP MOUNTING BRACKETS

25" Wide Countertops Include 4 Brackets
30" Wide Countertops Include 6 Brackets