



Cleaning the HhC 1618, 2020, and 2620 Ovens

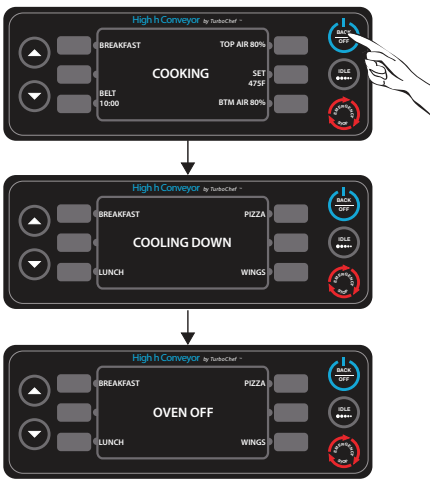
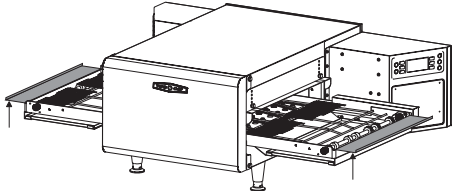
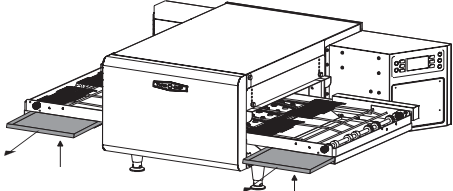
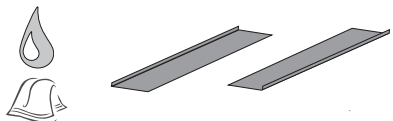
Daily Cleaning Instructions–

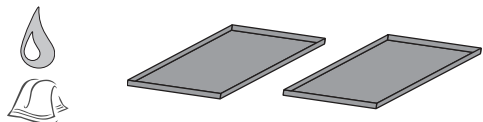
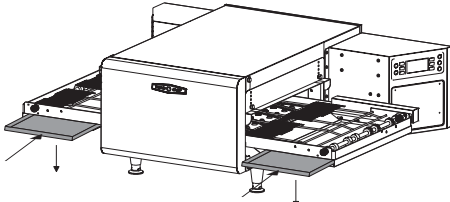
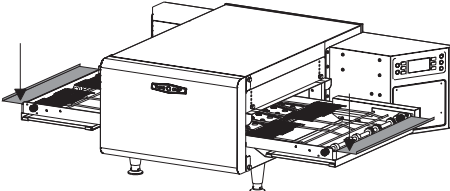
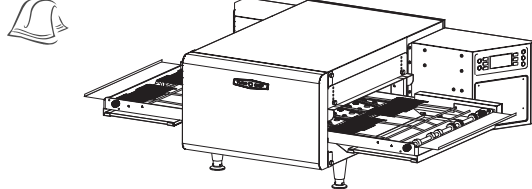
Follow the steps below daily to help maintain your oven. DO NOT clean the oven using a water jet.

Legend

 = Wash, rinse, and sanitize.

 = Completely dry and wipe with a clean towel.

1. 
2. 
3. 
4. 

5. 
6. 
7. 
8. 

Weekly Cleaning Instructions

Follow the steps below weekly to help maintain your oven. DO NOT clean the oven using a water jet.

Supplies and Equipment

TurboChef-approved oven cleaner (ventless models **must** be cleaned with TurboChef Oven Cleaner only), nylon scrub pad, cleaning towels, disposable gloves

⚠ Use only TurboChef-approved cleaner, part number 103180.

⚠ WARNING: DO NOT attempt to clean the oven until it has cooled (screen reads "Oven Off").

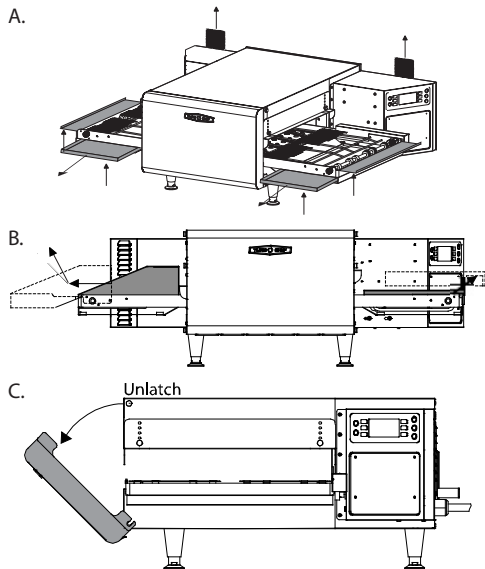
⚠ WARNING: DO NOT use a water jet when cleaning the oven.

⚠ WARNING: Always disconnect power before cleaning or servicing oven.

Step 1: Turn the Oven Off

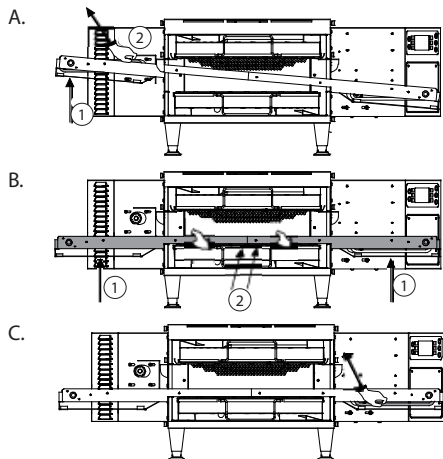
Press the Back/Off key until the oven begins cooling down. Allow the oven to completely cool (screen will say "Oven Off"), then unplug.

Step 2: Remove Outer Oven Components

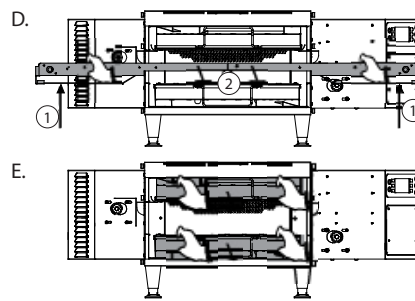


NOTE: Certain oven models are equipped with a side-swing front hatch. To remove the side-swing front hatch, unlatch and fully open it, then lift the front hatch upwards and off its hinges.

Step 3: Remove Inner Oven Components

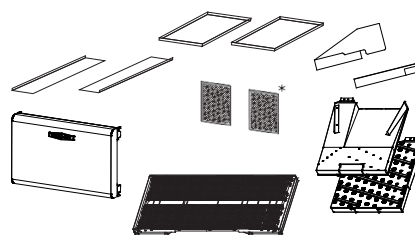


Step 3: Remove Inner Oven Components, Continued



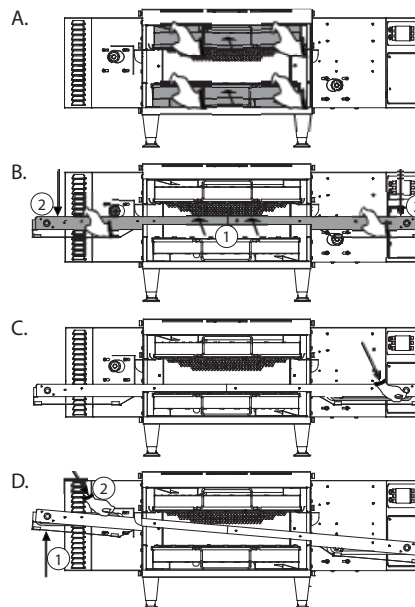
Step 4: Clean Oven Components

Wash, rinse, sanitize, and dry the following components, and wipe out the oven cavity.

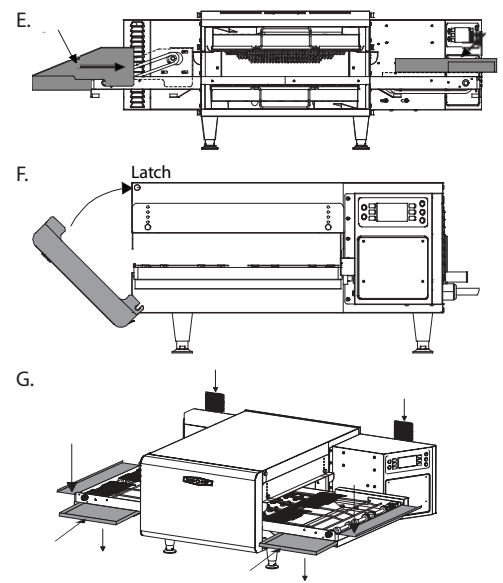


* Replace filters if damaged or torn.

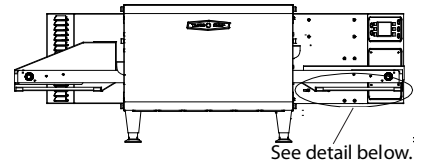
Step 5: Replace Oven Components



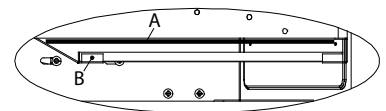
Step 5: Replace Oven Components, Continued



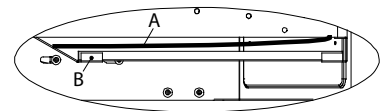
Step 6: Verify Chain Tension



See detail below.



Acceptable - Chain (A) is tight and easily clears crumb tray holder (B)



Call service to have link removed - Chain (A) is loose and risks contact with crumb tray holder (B)

Step 7: Ready the Oven for Use

Wipe the oven exterior with a clean, damp towel. Once cleaning is finished, plug the oven in.