

Models □ BC-20 □ BC-31 □ BC-31D □ BC-50 □ BC-50D

PRODUCT:

QUANTITY:

ITEM:

## Designed Smart

### Leader in "Fresh Grilled" Food Equipment!

Bun Cabinets conveniently hold un-heated buns under the roller grill in easy reach of customers or clerk. The standard cabinet features stainless steel body with clear lift up plexiglass doors, for product visibility and easy accessibility. Drawer model is a full stainless steel unit with sliding door.

- The Bun Cabinet (unheated) line is designed to compliment our best selling Hot Dog Roller Grill products.

### Equipment Packages to fit your operations.

Available in variety of sizes to fit your counter space.

- Compact BC-20 (use with HR(S)-20(S) Roller Grills)
- Regular size BC-31 (use with HR(s)-31(S) Roller Grills and HR(S)-45 Roller Grills)
- Full Menu sizes BC-50 (use with HR(S)-50(S), HR(S)-75 or HR(S)-85 Roller Grills)
- A variety of "Fresh Grilled" merchandising graphics are available or contact APW Wyatt headquarters for merchandising packages from your preferred Branded meat supplier.

## APW Wyatt Design Features

- Holds the following Hot Dog Buns or other breads:
 

• Compact BC-20	50 buns
• Regular size BC-31	100 buns
• BC-31D with Drawer	100 buns
• Full Menu size BC-50	144 buns
• BC-50D with Drawer	144 buns
- Exteriors constructed of solid stainless steel for extra durability.
- Unit is designed to be used in a "clerk served" operation or in a customer "self-serve" merchandising plan.
- For counters between clerk and customer, the Bun Cabinet comes with a rear door that allows clerk to fill buns from behind the counter and easily clean crumbs out of back.

\*Warranty does not include rock grates, cooking grates, burners shields or fireboxes.



**APW Wyatt Hot Dog Merchandising Package**



## Reliability backed by APW Wyatt's Warranty

All APW Wyatt Bun Cabinets are backed by a 1-year limited warranty and a 1-year on-site labor warrant.

•Certified by the following agencies:



See reverse side for product specifications.

PRODUCT:

QUANTITY:

ITEM:

## PRODUCT SPECIFICATION

### Construction:

Stainless steel cabinet. Plexiglass front doors on standard model. Available with stainless steel drawer and stainless steel rear door. 5/8" tall rubber feet.

### Overall Dimensions:

BC-20: 6 3/8"H x 17 3/16"W x 18 5/8"D  
(16.2 cm x 44 cm x 47.3 cm)

BC-31: 6 3/8"H x 23 11/16"W x 18 5/8"D  
(16.2 cm x 60 cm x 47.3 cm)

BC-50: 6 3/8"H x 34 11/16"W x 18 5/8"D  
(16.2 cm x 88 cm x 47.3 cm)

### Capacity:

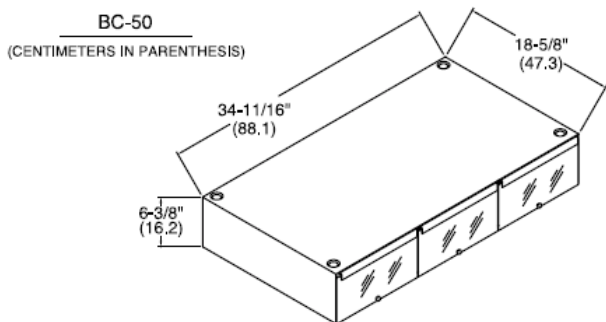
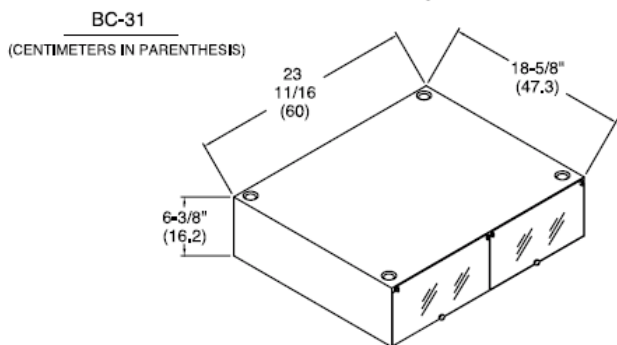
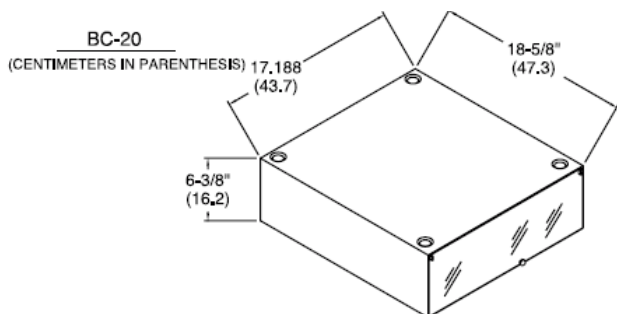
Compact BC-20	50 buns
Regular size BC-31	100 buns
BC-31D with Drawer	100 buns
Full Menu size BC-50	144 buns
BC-50D with Drawer	144 buns

### Shipping Weight:

BC-20:	16 lbs (7.3 kg)
BC-31:	22 lbs (10 kg)
BC-31D:	26 lbs (11.8 kg)
BC-50:	29 lbs (13.2 kg)
BC-50D:	41 lbs (18.6 kg)

FOB: Allen, TX 75013

Class: 100



\*APW Wyott reserves the right to modify specifications or discontinue models without incurring obligation.