



DESIGNED SMART. BUILT SOLID.®

## PARTS CATALOG

### Top Mount Hot Food Wells

#### Models: TM-43, TM-43D

Intended for other than household use. Unit must be kept clear of combustibles at all times.



Model	Part Number	Voltage	Watts
TM-43	55562	120V	1800W
TM-43	55216	208V	1800W
TM-43D	55371	120V	1800W
TM-43D	55217	208V	1800W
For 72" thermostat add suffix -72 to model and part number. For UL kit add suffix -36UL or -72UL to model and part number			



**WARNING:** California Residents Only. This product can expose you to chemicals including chromium which is known to the State of California to cause cancer and birth defects or other reproductive harm. For more information go to [www.P65Warnings.ca.gov](http://www.P65Warnings.ca.gov).



P/N 67128 09/18

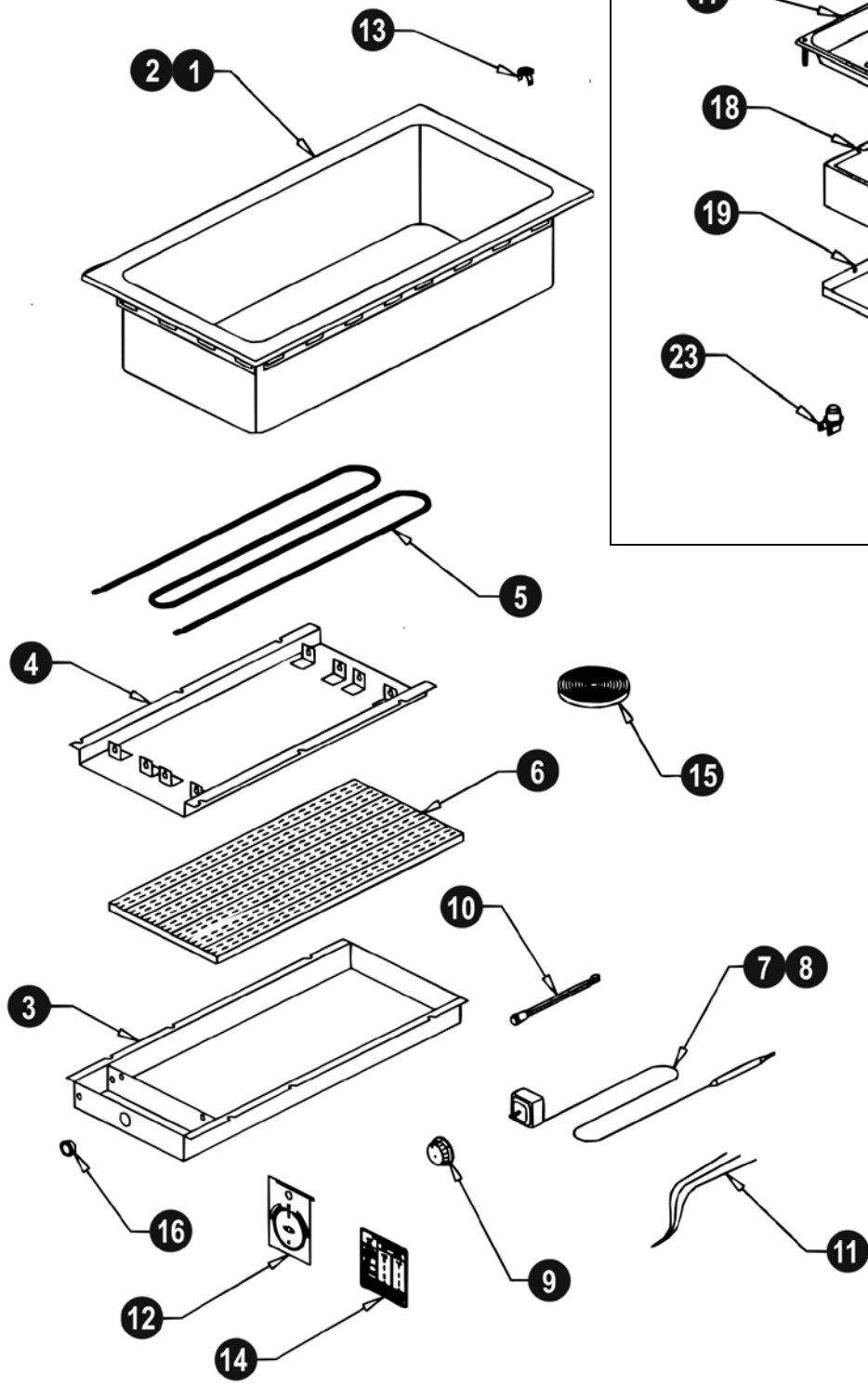
**APW Wyott Food Service Equipment Company**  
1307 N. Watters Road, Suite 180 • Allen, TX 75013

APW Wyott Food Service Equipment Company is a wholly owned subsidiary of Standex International Corporation.

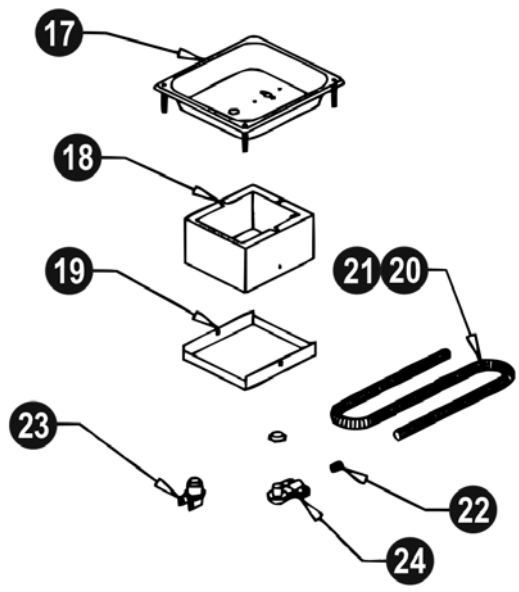
972.908.6100 Phone  
214.565.0976 Fax

+1.800.527.2100  
[www.apwwyott.com](http://www.apwwyott.com)

**EXPLODED VIEW – TM-43, TM-43D**



**UL KIT- TM-43, TM-43D**



## PARTS LIST

Item	Part Number	Description
1	55560	Well Pan No Drain (TM-43)
2	55385	Well Pan W/Drain (TM-43D)
3	55467	Bottom Cover
4	55464	Reflector Pan
5	55466	Element 120V-1200W
	54052	Element 208V-1800W
	55441	Element 208/240V-1200/1600W
6	55463	Bottom Insulation
7	56527	Thermostat 36" Capillary
8	56540	Thermostat 72" Capillary
9	56528	Knob, Thermostat
10	56530	Indicator Light
11	50005	Insulated Wire
12	56529	Increase/Decrease Plate
13	56655	Drain Strainer
14	56542	Dial Setting Plate
15	55872	Perma-Gum Package
16	89184	Hole Bushing
17	56370	Control Housing
18	56581	Conduit Box
19	56586	Conduit Box Cover
20	55341	Flex Conduit/36" Thermostat
21	55331	Flex Conduit/72" Thermostat
22	55340	Anti-Short Bushing
23	55339	Conduit Connector
24	55343	Conduit Connector 90°
	<b>Part Number</b>	<b>Parts Not Shown</b>
	88961	10-24 Green Hex Nut
	89061	10-24 Hex Nut
	89068	5/16 X 3/4 X 1/16 Flat Washer
	89071	#10 Flat Washer
	89059	#10 External Lockwasher
	89073	#8 X 1/2" Sheet Metal Screw
	89120	Jiffy Clip

Note: When ordering, always specify part number, model number, serial number, voltage and phase.

**WIRING DIAGRAM – TM-43, TM-43D**

