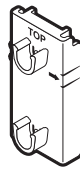
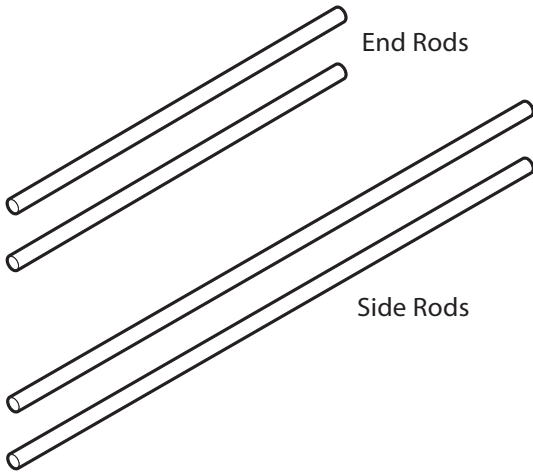
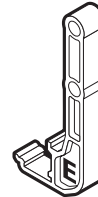


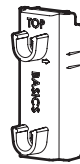
# Camshelving® Elements Series and Basics Plus Series Shelf Rail Kits



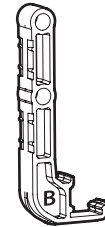
Elements Series  
Shelf Rail End Bracket



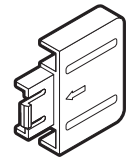
Elements Series  
Shelf Rail Side Bracket



Basics Plus Series  
Shelf Rail End Bracket



Basics Plus Series  
Shelf Rail Side Bracket



Universal  
Shelf Rail Cap

## Components Available Per Kit

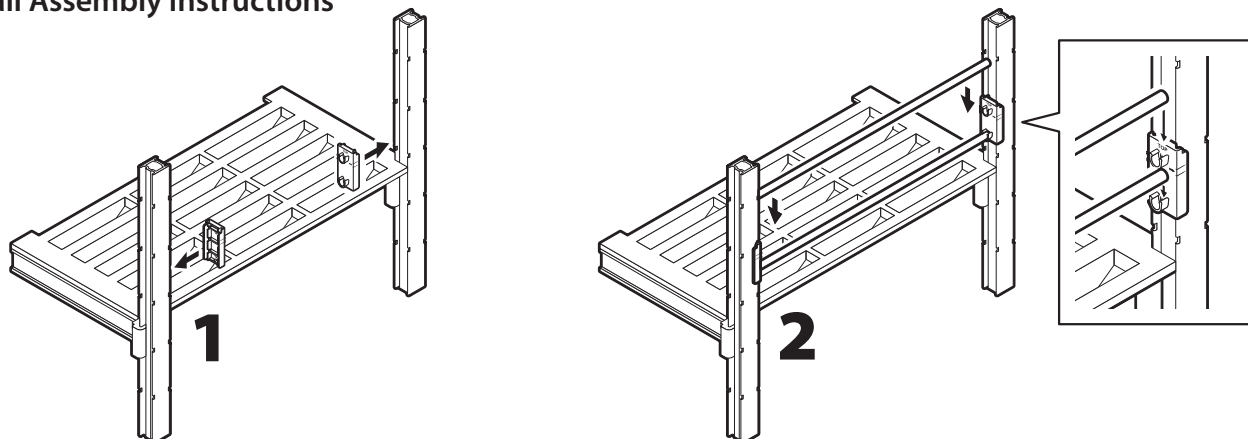
	Full Kit (2 sides and 2 ends)	3/4 Kit (1 side and 2 ends)	Single Side Kit	End Kit
Side Rods	4 each	2 each	2 each	–
End Rods	4	4	–	2 each
End Brackets	4 (all depths*)	4 (all depths*)	–	2 (all depths*)
Shelf Rail Caps	4 (all lengths**)	4 (all lengths**)	2 (all lengths**)	–
<b>Side Bracket (Length)</b>				
24" - 36" (610 - 915 mm)	4 each (install 2 per side)**	2 each per side**	2 each per side**	–
42" (1070 mm)	6 (install 3 per side)	3 per side	3 per side	–
48" - 60" (1220 - 1525 mm)	8 (install 4 per side)	4 per side	4 per side	–
72" (1830 mm)	10 (install 5 per side)**	5 per side**	5 per side**	–

\* 14" (360 mm) depth Basics Plus Series kits are not available in North America or China.

\*\* 24" (610 mm) long Basics Plus Series kits are not available worldwide.

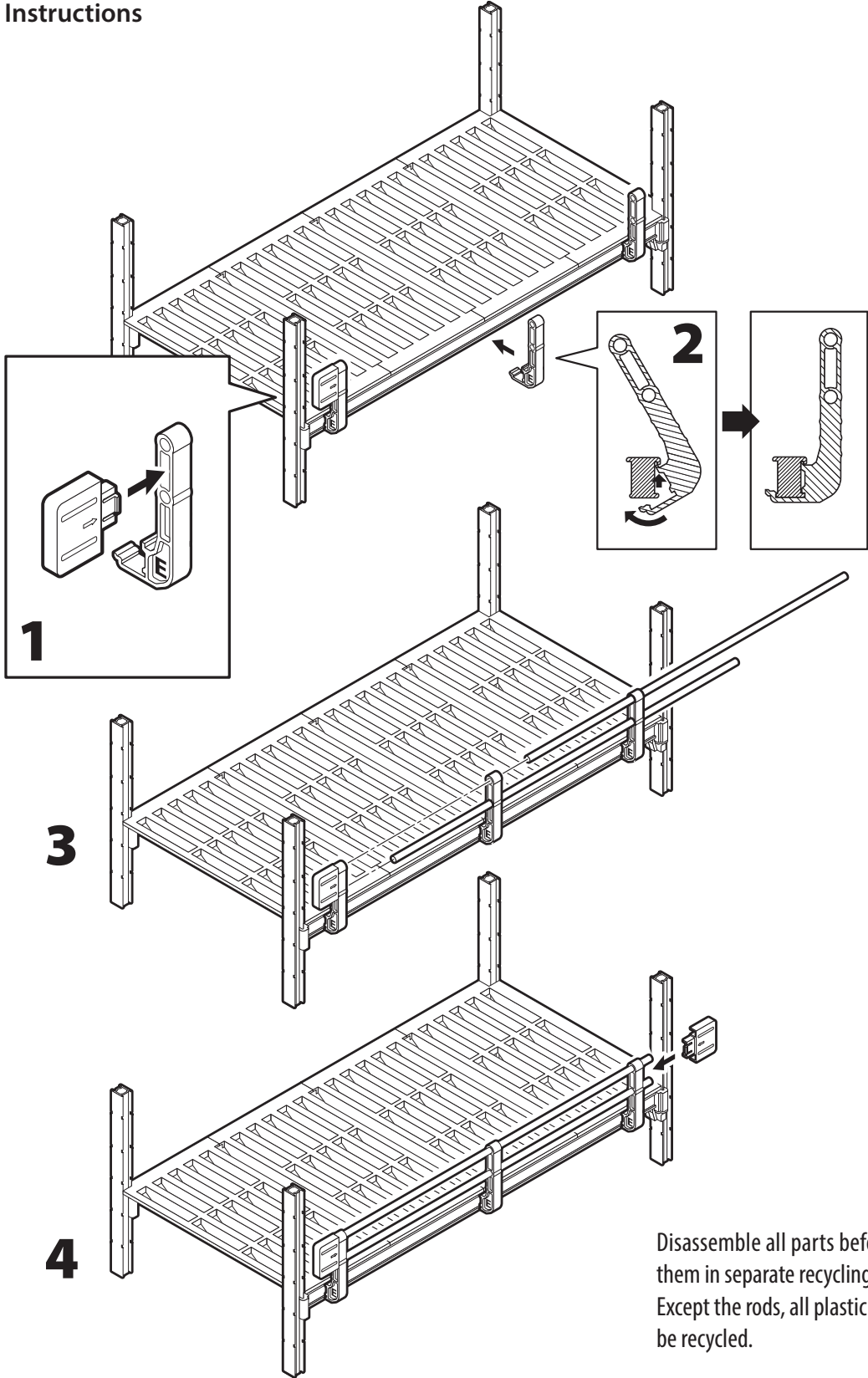
\*\* 72" (1830 mm) long Basics Plus Series kits are not available in North America or China.

## End Rail Assembly Instructions



# Camshelving® Elements Series and Basics Plus Series Shelf Rail Kits

## Side Rail Assembly Instructions



Disassemble all parts before placing them in separate recycling containers. Except the rods, all plastic parts can be recycled.



CAMBRO U.S.A.  
TEL: (714) 848-1555  
FAX: (714) 230-4375  
international@cambro.com

CAMBRO EUROPEAN LOGISTICS  
TEL: (49) 7022 90 100 0  
FAX: (49) 7022 90100 19  
cambroeurope@cambro.com

惠州诚信磁电科技有限公司  
电话: 0752 2885018 Ext 8809  
传真: 0752 2885038  
cambrochina@cambro.com

UMESSR REV A

D061911