



**IMPORTANT! DO NOT CUT
tie straps until AFTER
the bottom frame is installed.**

**IMPORTANTE! NO CORTAR
las ataduras plasticas
del panel hasta el marco
inferior haya sido instalado.**



**SCAN HERE to watch short
assembly video.**

**Escanea aqui para ver un
breve video de ensamblaje.**



IMPORTANT! DO NOT CUT tie straps until **AFTER** the bottom frame is installed.
IMPORTANTE! NO CORTAR las ataduras plasticas del panel hasta el marco inferior haya sido instalado.

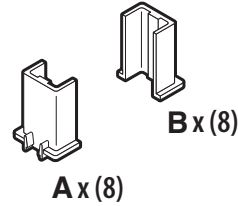


SCAN HERE to watch short assembly video.
 Escanea aqui para ver un breve video de ensamblaje.

Camshelving® Ultimate Sheet Pan Rack

Parts and Tools

Post Connector
 Frame Wedges
 x (16)



CASTER OPTIONS

Zinc Plated
 Casters
 x (4)



Premium Plastic
 Casters
 x (4)



**2 Person
 Assembly**



**Use Rubber Mallet
 for Assembly**

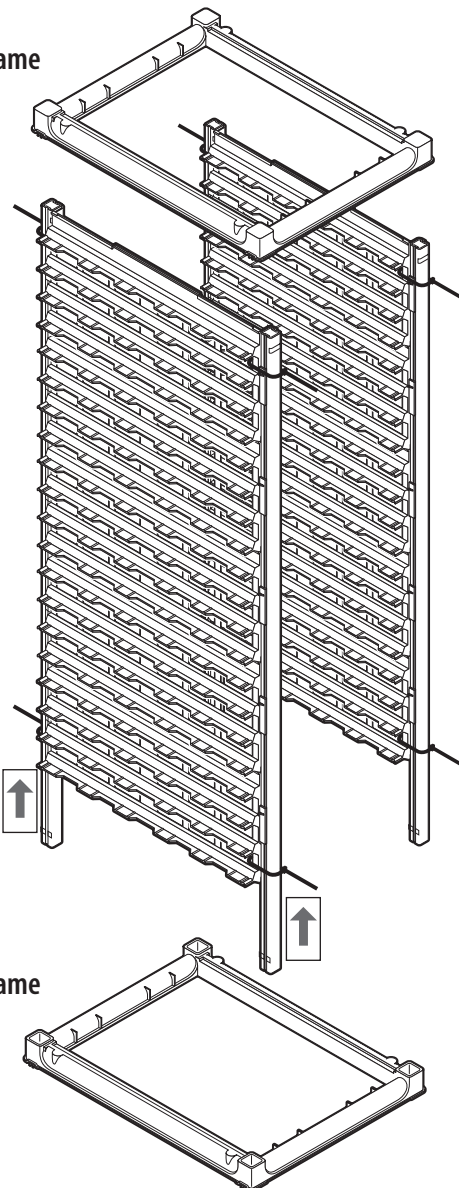


NSF
 COMPONENT

Top Post
 Connector Frame
 x (1)

Pre-Assembled
 Rail Panels
 x (2)

Assemble with
 Red Arrow Stickers
 pointing up.

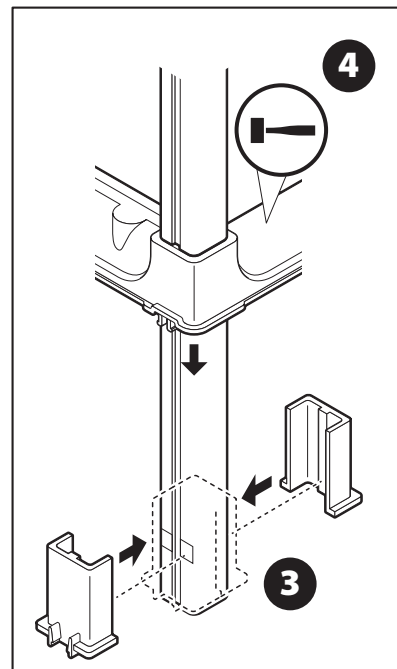
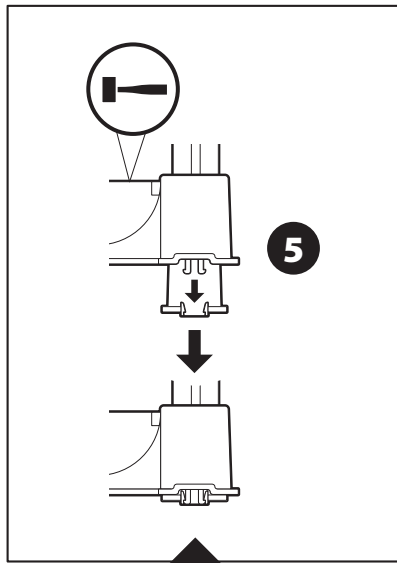


Bottom Post
 Connector Frame
 x (1)

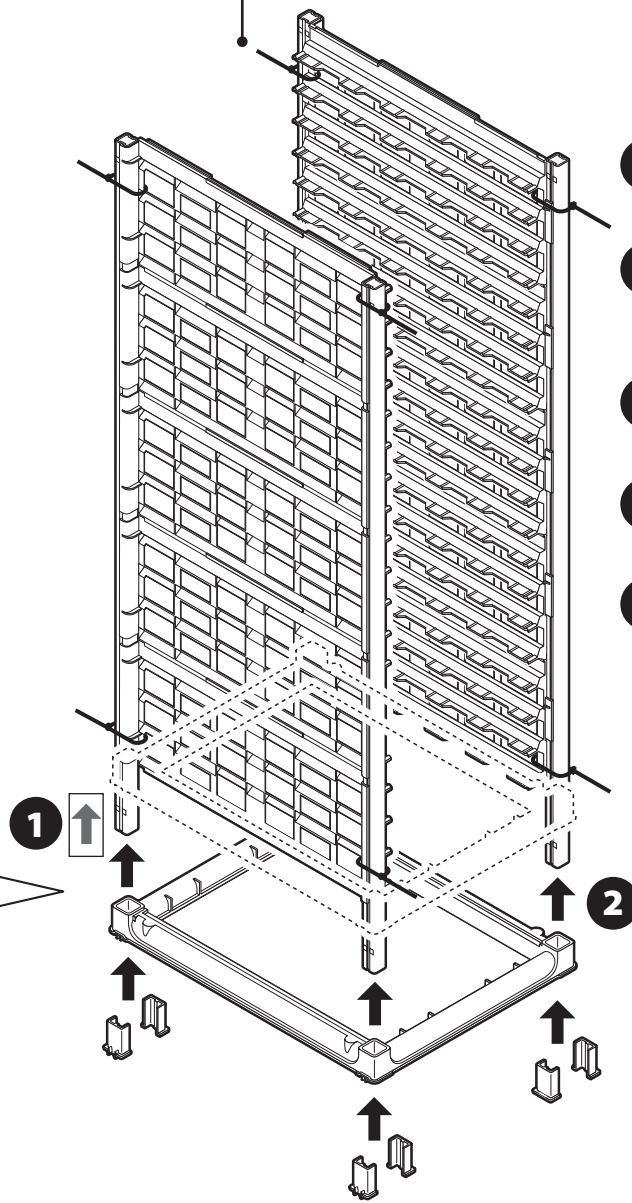
CAMBRO
 TRUSTED FOR GENERATIONS™

www.cambro.com

Step 1: Install Bottom Frame

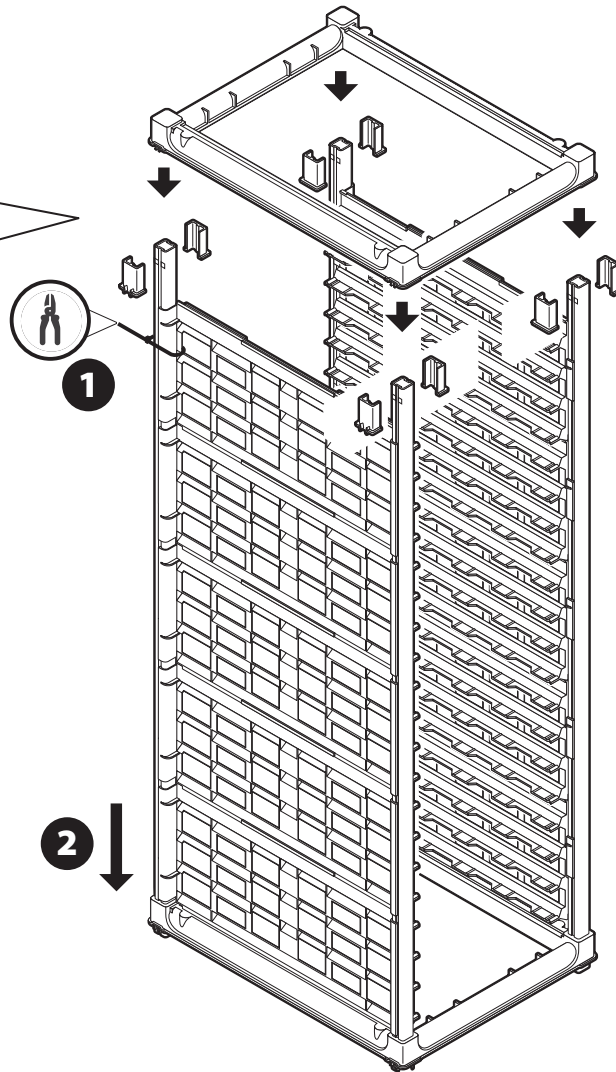
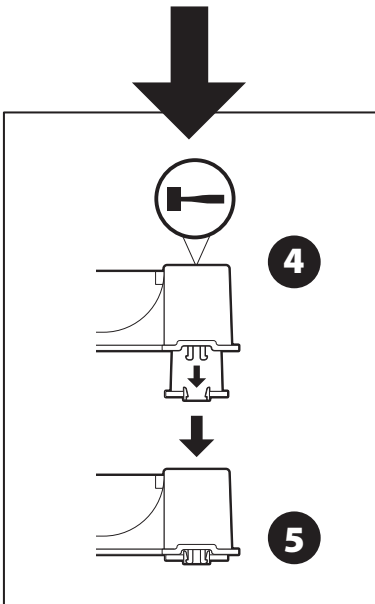
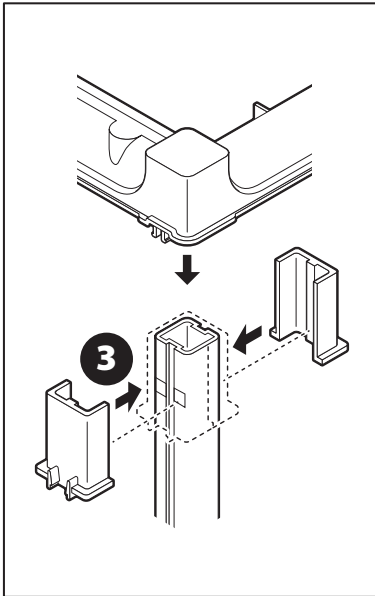


! IMPORTANT! DO NOT CUT tie straps until AFTER the bottom frame is installed.
! IMPORTANTE! NO CORTAR las ataduras plasticas del panel hasta el marco inferior haya sido instalado.



- 1** Remove **Red Up Arrow Sticker** from outside of each post.
- 2** Place Bottom Post Connector Frame up onto posts, with frame clips facing down.
- 3** Install wedges as shown. Push frame down onto wedges.
- 4** Mallet frame down on inside 4 corners.
- 5** Frame clips must be fully engaged into wedge clip openings, and top of frame flush with top of wedges.

Step 2: Install Top Frame



- 1** CUT tie straps x (8).
- 2** Move each rail panel down, starting at the bottom. Push next panel down, then in to engage with outside rim on lower panel.
- 3** Install wedges as shown. Place Top Post Connector Frame onto wedges.
- 4** Mallet frame down on each corner.
- 5** Frame clips must be fully engaged into wedge clip openings.

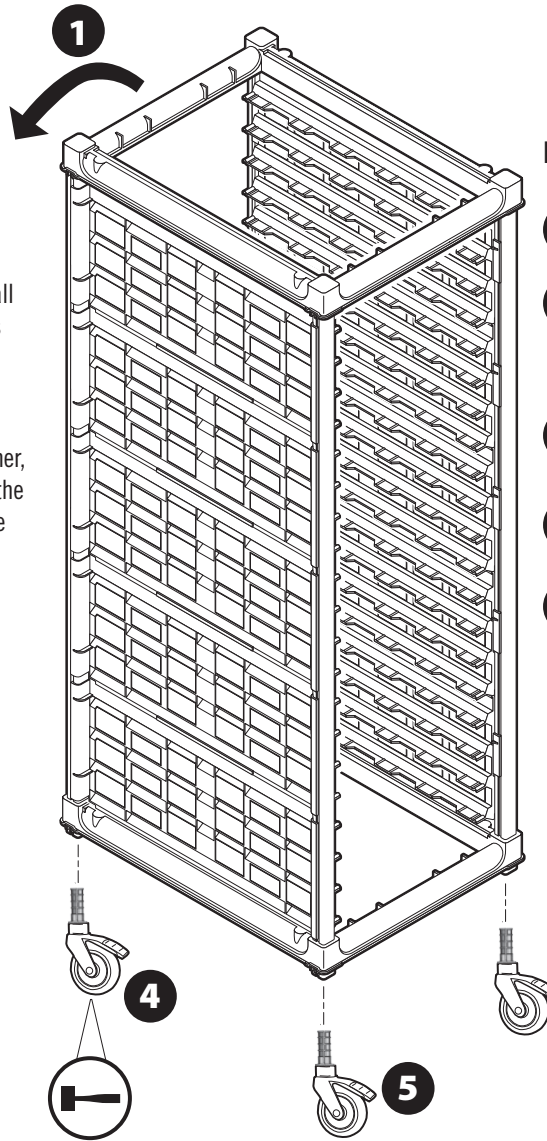
Step 3: Install Casters

For Zinc Plated Casters

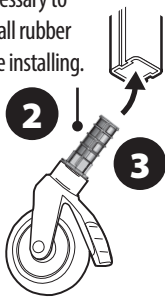
- 1** Lay rack down on 1 end.
- 2** It is not necessary to remove small rubber band around plastic parts on caster stem.
- 3** Hold plastic parts together on caster stem. While holding together, hold the metal ring at the top of the caster and turn counter clockwise until tight. Then, insert into post opening.
- 4** Mallet caster into bottom of post.

For Premium Plastic Casters

- 1** Lay rack down on 1 end.
- 2** It is not necessary to remove small rubber band around plastic parts on caster stem.
- 3** Hold plastic parts together on caster stem and insert into post opening.
- 4** Mallet caster into bottom of post.
- 5** Push brake down to lock caster. Turn caster clockwise (to the right) approximately 1/4 turn until caster stops. Release brake. CAUTION! DO NOT OVER-TIGHTEN!



It is not necessary to remove small rubber band before installing.



Care and Maintenance

- Clean rack and cover with hot water, mild detergent and soft cloth or sponge. Racks may also be pressure washed. Use cleaners and degreasers designated for plastic materials.
- DO NOT use cleaners or detergents containing ammonia or bleach.
- DO NOT use steel wool, abrasive scrub pads or brushes.
- Wipe off any remaining soap and dirt with a clean cloth. Allow to air dry or use a clean cloth to wipe dry.

Warranty

- Ultimate Sheet Pan Rack has a warranty on workmanship for one year from date of shipment from Cambro distribution centers.
- The warranty is in effect provided that the product has not been altered in any way and assuming normal and proper use and maintenance. Abuse or misuse will void the warranty.
- Ultimate Sheet Pan Rack has a lifetime limited warranty against rust and corrosion.

Caution!

- Ultimate Sheet Pan Rack is not intended for use in any type of roll-in oven.
- Do not use with or place near an open flame or against hot surfaces above 350°F.

Customer Service

- Need help or have a question?
Please contact Customer Service at 800 833 3003,
Monday – Friday, 6 am to 4:30 pm (Pacific Standard Time).