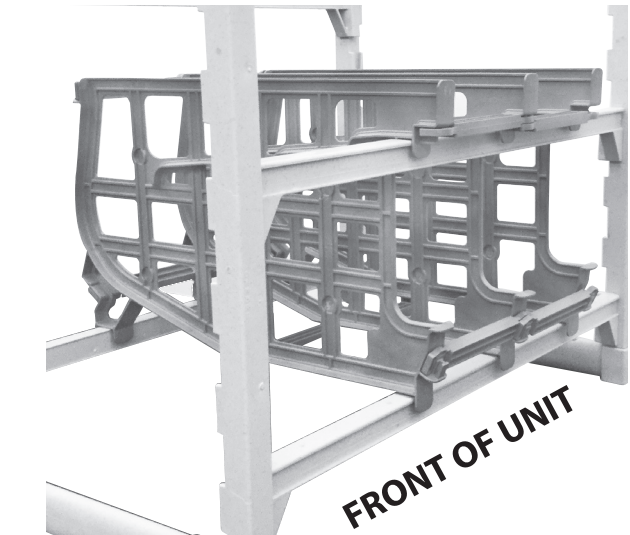
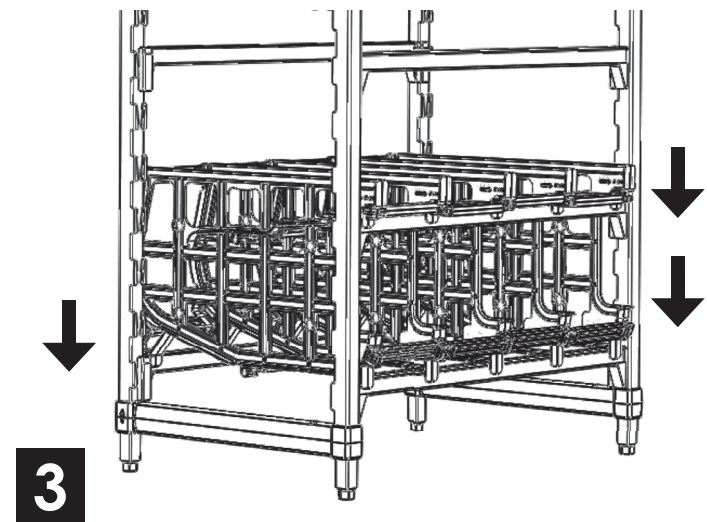
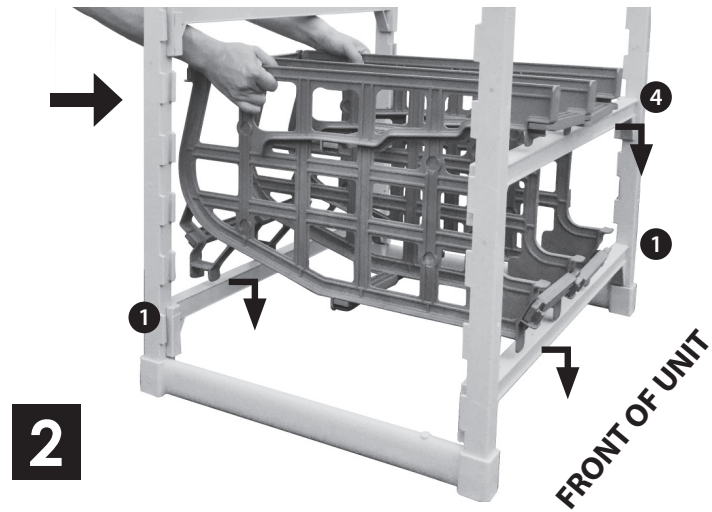
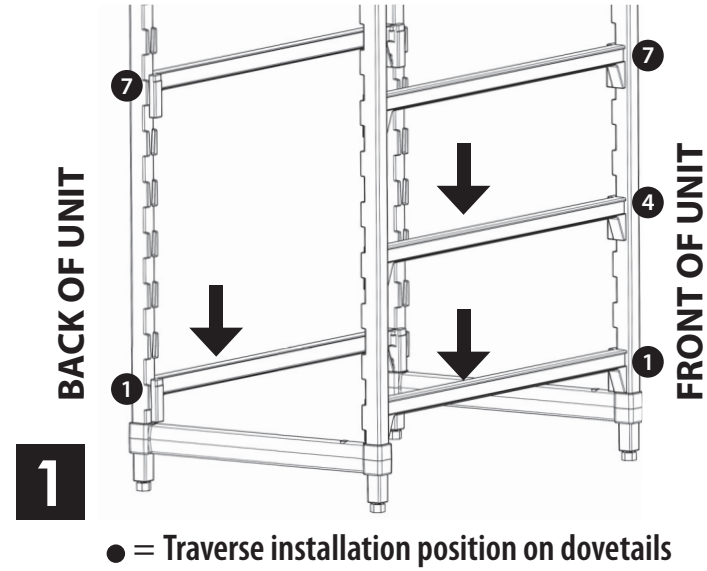


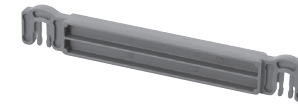
Single Tier Installation on Shelving Unit

(1 Rack or Multiple Racks)

NOTE: If existing unit is against wall, install can racks from front.



Bracket



Side Panel



Single Rack

2 Side Panels
6 Brackets



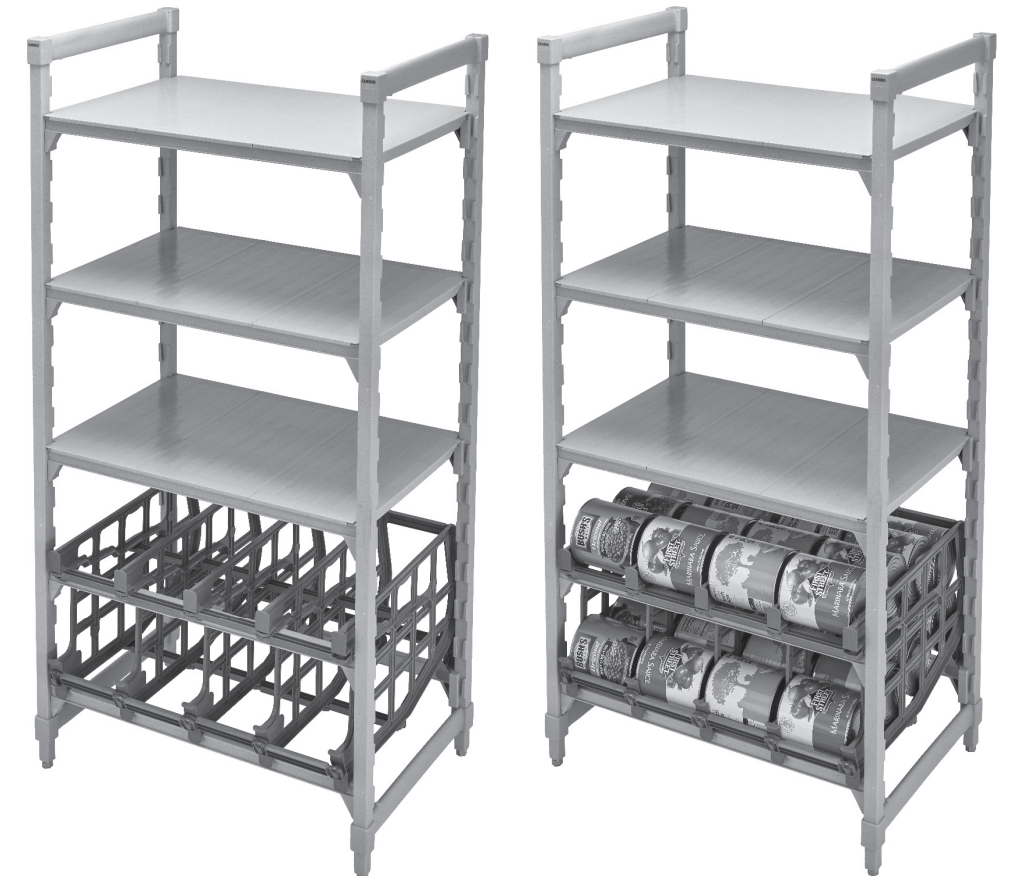
Add-On Rack

1 Side Panel
6 Brackets



Camshelving® Ultimate #10 Can Rack

Single Rack and Add-On Rack Assembly

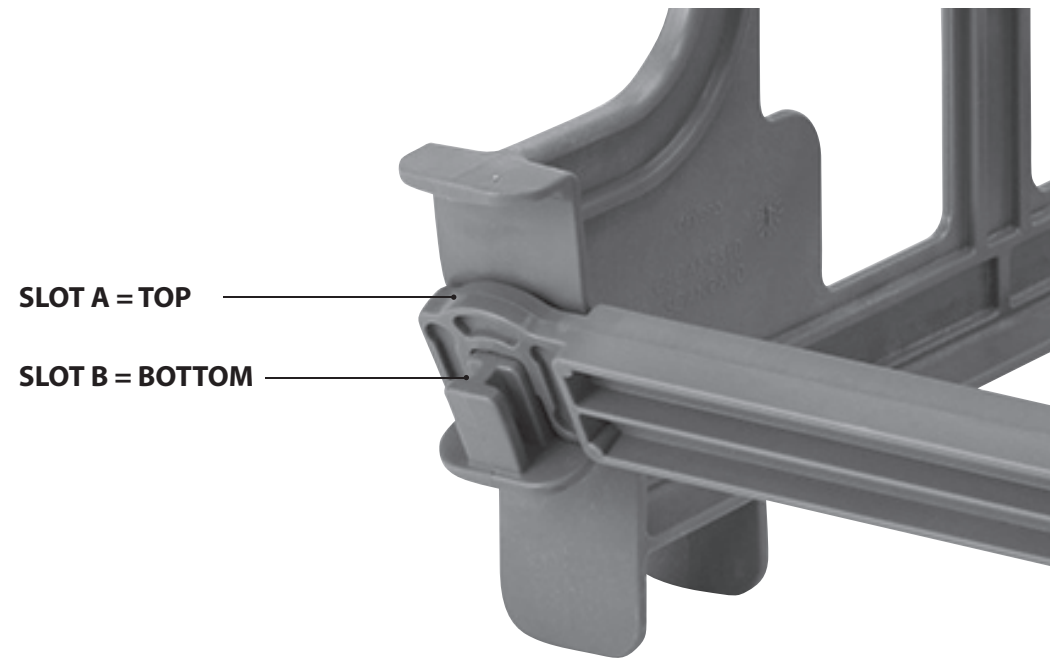


Scan for Assembly Video

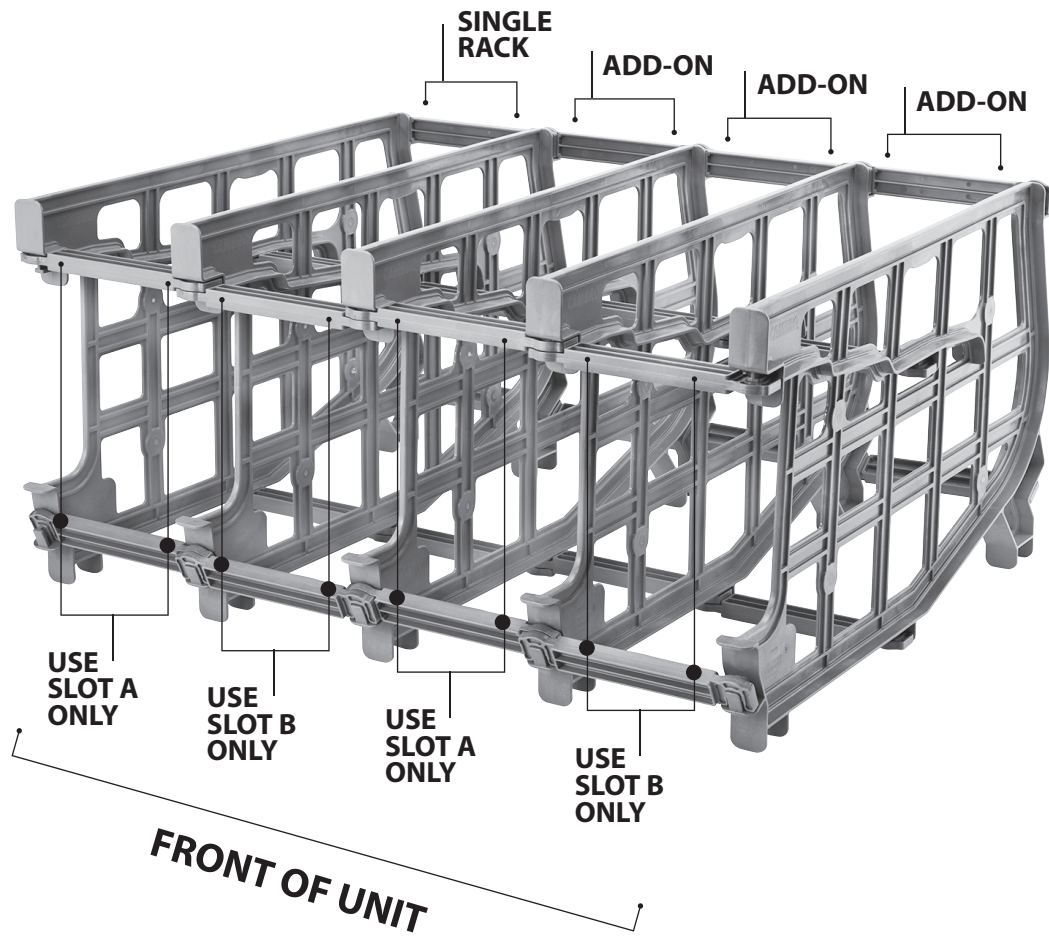
CAMBRO
TRUSTED FOR GENERATIONS™

www.cambro.com

Bracket Placement Reference

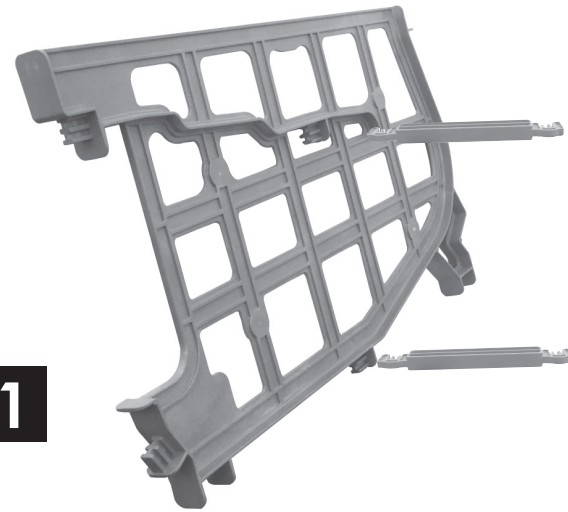


Single Rack + Add-On Racks

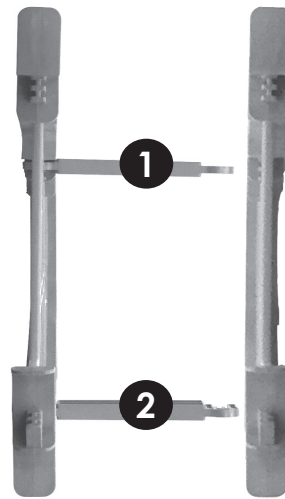


Single Rack Assembly

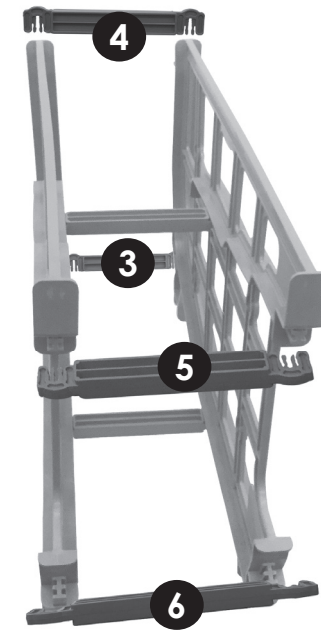
1



2



3



5

Repeat #2.
Start with
center brackets.

6

Repeat #3.

Add-On Rack Assembly

4

