



# SHELVING for LIFE

Premium, Elements & Basics Plus Series



**CAMBRO**  
TRUSTED FOR GENERATIONS™



Premium Series High Density Shelving



Elements Series Walk-In Cooler

When we say Shelving for Life, we mean it. All Camshelving® storage systems are designed to withstand the toughest conditions and the harshest environments. With our lifetime warranty against rust and corrosion, only Cambro offers SHELIVING for LIFE.



Premium Series Walk-In Cooler



Basics Plus Series Utility Storage



Elements Series Mobile Drying Rack



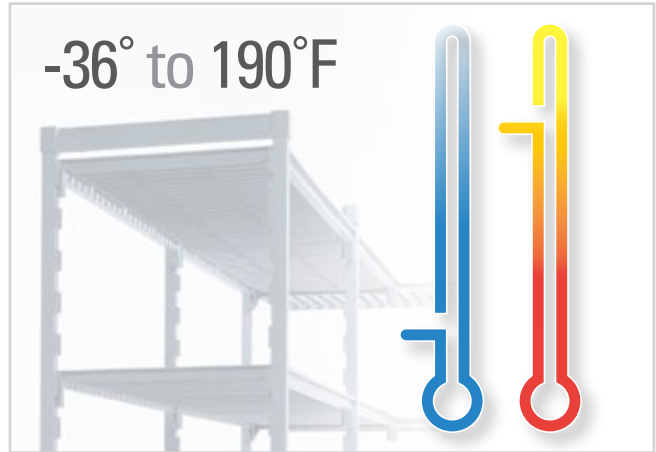
Elements Series Dry Storage

# Camshelving® SHELVING for LIFE



## Rust and Corrosion Free

Backed by a lifetime warranty against rust and corrosion. All Camshelving is impervious to harsh chemicals and salt water.



## All Environments

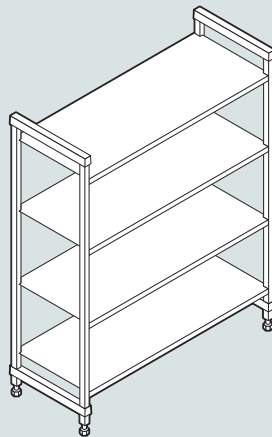
Camshelving is designed to withstand all extreme storage applications and temperatures.

- Coolers
- Freezers
- Dry Storage
- Utility

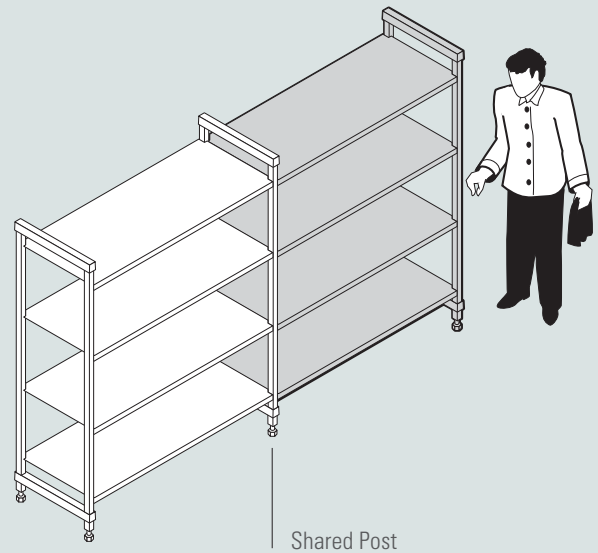
## Maximized Space Utilization

Shelving units are designed to be interconnected, without compromising weight-bearing capacity, all while maximizing usable storage space.

Starter Unit



Starter + Add-On Unit





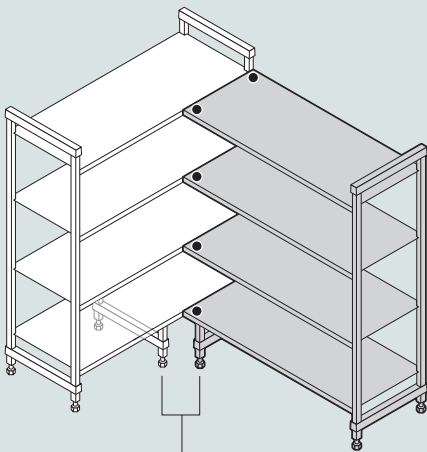
### Easy to Clean

Camshelving easily wipes clean or shelf plates can go through the dishwasher. Camguard® antimicrobial shelf plates inhibit the growth of harmful bacteria and microbes.

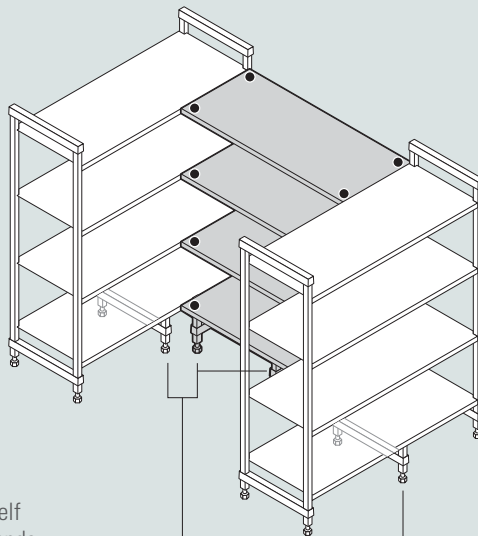
### Easy to Assemble & Adjust

Units ship with preassembled frames to speed up installation. Each shelf can be easily and independently adjusted.

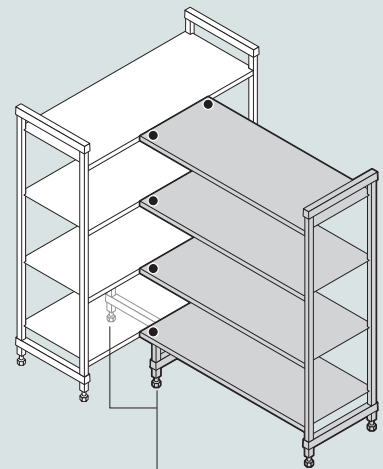
**Corner Unit**  
Starter + Add-On Unit



**U-Shape Unit**  
Two Starter Units + Intermediate Shelves



**T-Shape Unit**  
Starter unit + Add-on



Bottom Shelf  
Dunnage Stands

Convert unusable space into continuous, easy-access storage areas with corner connectors. ●  
Corner connectors are for use only with shelves 24" - 48" long.

# Camshelving® PREMIUM series

STATIONARY | MOBILE | HIGH DENSITY

## Why Choose Premium?

- Easy to clean.
- Quick and easy to assemble.
- Ideal for coolers, freezers and warewashing areas.
- Strong enough to support the toughest loads.
- Impervious to harsh chemicals and salt water.



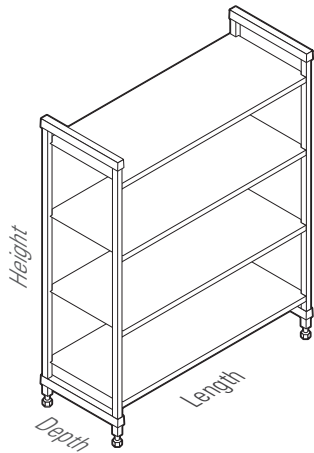
**camguard**  
ANTIMICROBIAL SHELF PLATES



COMPONENT

Post Connectors, Corner Connectors, Seismic Foot, Wall Fastener, Identification Tags, Full Wrap Security Cage, Single Shelf Security Cage, Single Shelf Sheet Pan/Tray Rack, Shelf Rails, Shelf Divider Bars, High Density Track and Extension Kits are not NSF Listed.





### Stationary Unit Sizes

4 Depths
14" 18" 21" 24"
8 Lengths
24" 30" 36" 42" 48" 54" 60" 72"
5 Heights
32" 56" 64" 72" 84"

### Mobile Unit Sizes

3 Depths
18" 21" 24"
3 Lengths
36" 42" 48"
4 Heights
35" 59" 67" 75"

### High Density Unit Sizes

3 Depths
18" 21" 24"
5 Lengths
36" 42" 48" 54" 60"
2 Heights
67" 75"

### Weight Bearing Capacity

		UNIT LENGTH 24" – 48"	UNIT LENGTH 54" – 72"
SINGLE UNIT	Unit only	2000 lbs.	2000 lbs.
	Shelf only	800	600
	Unit with dunnage stand*	2400	2300
	Bottom shelf with dunnage stand*	1200	900
CORNER UNIT ** with 2 Dunnage Stands required	Unit only	1800	—
	Shelf only	400	—
	Bottom shelf with dunnage stands*	600	—
MOBILE UNIT	Unit only***	750	—

\* Dunnage Stands add stability and increase weight bearing capacity on bottom shelf only. Add to any shelf length. Highly recommended for Starter Units 54" and longer, all Corner Units, U-Shape Units and units specified for heavier loads.

\*\* Corner connectors are for use only with shelves 24" - 48" long.

\*\*\* Due to the weight bearing capacity of casters, maximum weight load on an entire Mobile Unit is 750 lbs.

# Camshelving® ELEMENTS series

STATIONARY | MOBILE | UNDERCOUNTER

## Why Choose Elements?

- Easy to clean and adjust.
- Ideal for coolers, freezers and warewashing areas.
- Made from extremely strong composite and plastic materials.
- Impervious to harsh chemicals and salt water.



**camguard**  
ANTIMICROBIAL SHELF PLATES

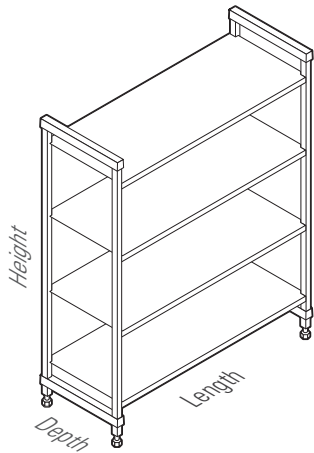


COMPONENT

Post Connectors, Corner Connectors, Seismic Foot, Wall Fastener, Identification Tags, Single Shelf Security Cage, Single Shelf Sheet Pan/Tray Rack, and Shelf Divider Bars are not NSF Listed.







### Stationary Unit Sizes

4 Depths
14" 18" 21" 24"
8 Lengths
24" 30" 36" 42" 48" 54" 60" 72"
3 Heights
64" 72" 84"

### Mobile Unit Sizes

3 Depths
18" 21" 24"
5 Lengths
36" 42" 48" 54" 60"
2 Heights
70" 78"

### Undercounter Unit Sizes

2 Depths
14" 18"
3 Lengths
24" 36" 48"
2 Heights
27" (Mobile) 30" (Stationary)

### Weight Bearing Capacity

		UNIT LENGTH 24" – 48"	UNIT LENGTH 54" – 72"
SINGLE UNIT	Unit only	2000 lbs.	2000 lbs.
	Shelf only	800	600
	Unit with dunnage stand*	2400	2300
	Bottom shelf with dunnage stand*	1200	900
CORNER UNIT ** with 2 Dunnage Stands required	Unit only	1800	—
	Shelf only	400	—
	Bottom shelf with dunnage stands*	600	—
MOBILE UNIT	Unit only***	750	—

\* Dunnage Stands add stability and increase weight bearing capacity on bottom shelf only. Add to any shelf length. Highly recommended for Starter Units 54" and longer, all Corner Units, U-Shape Units and units specified for heavier loads.

\*\* Corner connectors are for use only with shelves 24" - 48" long.

\*\*\* Due to the weight bearing capacity of casters, maximum weight load on an entire Mobile Unit is 750 lbs.

# Camshelving® **BASICS PLUS** series

STATIONARY

## Why Choose Basics Plus?

- Easy to clean and adjust.
- Superior alternative to wire or aluminum shelving.
- Made from strong composite and plastic materials.
- Impervious to harsh chemicals and salt water.



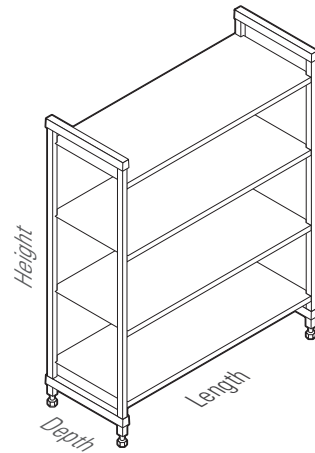
COMPONENT

Post Connectors, Corner Connectors, Seismic Foot, Wall Fastener, Single Shelf Security Cage, Single Shelf Sheet Pan/Tray Rack, and Identification Tags are not NSF listed.





### Stationary Unit Sizes



3 Depths
18" 21" 24"
6 Lengths
30" 36" 42" 48" 54" 60"
3 Heights
64" 72" 84"

### Weight Bearing Capacity

		UNIT LENGTH 30" – 48"	UNIT LENGTH 54" – 60"
SINGLE UNIT	Unit only	1800 lbs.	1800 lbs.
	Shelf only	700	500
	Unit with dunnage stand*	2100	2100
	Bottom shelf with dunnage stand*	1000	800
CORNER UNIT ** with 2 Dunnage Stands required	Unit only	1350	—
	Shelf only	300	—
	Bottom shelf with dunnage stands*	450	—

\* Dunnage Stands add stability and increase weight bearing capacity on bottom shelf only. Highly recommended for Starter Units 54" and longer, all Corner Units, U-Shape Units and units specified for heavier loads.  
 \*\* Corner connectors are for use only with shelves 24" - 48" long.

# Camshelving® Series Accessories

Make the most of your Camshelving by adding accessories to create the perfect storage system for your needs.

## Support and Weight Bearing

**PREMIUM**  
**ELEMENTS**  
**BASICS PLUS**



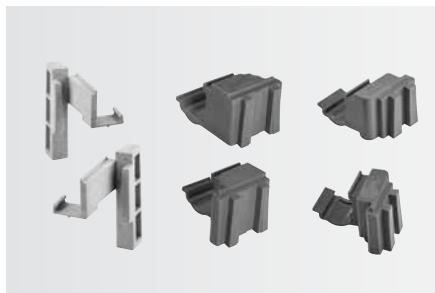
Additional Traverses



Wall Fastener



Seismic Foot



Corner Connectors



Bottom Shelf Dunnage Stands

## Mobility

**PREMIUM**  
**ELEMENTS**



Premium Caster



Premium Series Donut Bumper



Premium Series High Density Caster with Bumper



Elements Series Donut Bumper

## Security

**PREMIUM**  
**ELEMENTS**  
**BASICS PLUS**



Full-Wrap Stainless Steel Security Cage  
**PREMIUM**



Single Shelf Stainless Steel Security Cage  
**PREMIUM | ELEMENTS | BASICS PLUS**

# Camshelving® Series Accessories

## Organization

**PREMIUM**  
**ELEMENTS**  
**BASICS PLUS**



Identification Tags



Shelf Divider Panel



Single Shelf Sheet Pan/Tray Rack



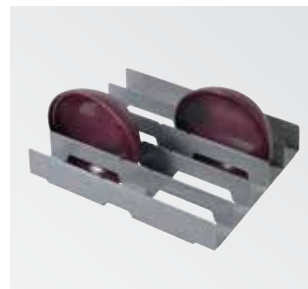
Shelf Rails  
**PREMIUM** | **ELEMENTS**



Shelf Divider Bars  
**PREMIUM** | **ELEMENTS**

## Drying Cradles

**PREMIUM**  
**ELEMENTS**  
**BASICS PLUS**



Dome Drying and Storage Cradle



Vertical Drying and Storage Cradle



Angled Drying and Storage Cradle

## Drying Racks

**PREMIUM**  
**ELEMENTS**



Dome Drying and Storage Rack



Vertical Drying and Storage Rack



Angled Drying and Storage Rack

# Camshelving® Series Buyers Guide

All Camshelving lines offer a lifetime warranty against rust and corrosion for shelf plates, posts and traverses.



	PREMIUM series	ELEMENTS series	BASICS PLUS series
Shelf Depths	14", 18", 21", 24"	14", 18", 21", 24"	18", 21", 24"
Shelf Lengths	24", 30", 36", 42", 48", 54", 60", 72"	24", 30", 36", 42", 48", 54", 60", 72"	30", 36", 42", 48", 54", 60"
Post Heights	<b>Stationary:</b> 32", 56", 64", 72", 84" <b>Mobile:</b> 35", 59", 67", 75" (includes casters)	<b>Stationary:</b> 30", 64", 72", 84" <b>Mobile:</b> 27", 70", 78" (includes casters)	<b>Stationary:</b> 64", 72", 84"
Weight-Bearing Capacity (based on 24" - 48" length)	<b>Stationary Unit:</b> 800 lbs. per shelf, 2000 lbs. per unit. <b>Mobile Unit:</b> 750 lbs. per unit. <b>Corner Unit:</b> 400 lbs. per shelf, 1800 lbs. per unit.	<b>Stationary Unit:</b> 800 lbs. per shelf, 2000 lbs. per unit. <b>Mobile Unit:</b> 750 lbs. per unit. <b>Corner Unit:</b> 400 lbs. per shelf, 1800 lbs. per unit.	<b>Stationary Unit:</b> 600 lbs. per shelf, 1800 lbs. per unit. <b>Corner Unit:</b> 300 lbs. per shelf, 1350 lbs. per unit.
Shelf Plates	Interchangeable with Elements Series. Features Camguard® antimicrobial.	Interchangeable with Premium Series. Features Camguard antimicrobial.	Not interchangeable with Premium or Elements Series.
Mobility	Available in Mobile and High Density Storage System.	Available in Mobile.	Not available.
Assembly	Quickest and easiest to assemble due to molded-in dovetails.	Simple to assemble. Contains separate dovetails that must be attached to the post.	Simple to assemble. Contains separate dovetails that must be attached to the post.
<b>ACCESSORIES</b>			
Bottom Shelf Dunnage Stand	✓	✓	✓
Shelf Rails	✓	✓	
Vertical Drying and Storage Cradle (Trays / Cutting Boards / Lids)	✓	✓	✓
Dome Drying and Storage Cradle	✓	✓	✓
Angled Drying and Storage Cradle	✓	✓	✓
Shelf Divider Panel	✓	✓	✓
Shelf Divider Bar (for Food Pans or Food Boxes)	✓	✓	
Single Shelf Sheet Pan/Tray Rack	✓	✓	✓
Single Shelf Security Cage	✓	✓	✓
Full Wrap Security Cage	✓		





Premium Series Walk-in Cooler



Elements Series Dry Storage



Visit the Camshelving website at [www.cambro.com/camshelving](http://www.cambro.com/camshelving) for product information and pricing on ALL available shelving products.



Elements Series Undercounter Storage



## FREE Camshelving® Design Service

Take the guesswork out of creating your perfect shelving layout. Let our expert shelving consultants prepare a free layout that optimizes your space to create the most storage options. Here's what you'll get:

- 2D Floor Plan
- 3D Floor Plan
- Itemized product list by room/area
- All within 48 business-day hours



Scan the QR code to get started today.

