

### Front Loading

#### For GN Food Pans

Model UPC400

#### Security Package

Model UPC400SP



### Features & Benefits

- This large capacity Camcarrier easily handles storing and transporting food for any catering job, large or small, hot or cold foods.
- GN 1/1 Full Size Food Pan capacity:  
2 each 8" (20 cm) deep, 3 each 6" (15 cm) deep  
4 each 4" (10 cm) deep, or 6 each 2½" (6,5 cm) deep
- Tray Capacity (12 each):  
12 each 12" x 20" (32,5 x 53 cm)  
12 each 13" x 18" (33 x 45,7 cm)
- The insulated compartment will also hold multiple configurations of GN 1/2 and 1/3 size Food Pans.
- Store hot and cold foods in the same compartment with the use of the optional ThermoBarrier® Insulated Shelf Divider. Create a portable refrigerator by using the optional Camchiller®. No external power or ice required.
- Maintain hot food holding temperatures at higher levels and for longer when using two Camwarmers™ inside the compartment. (Hang onto bottom rail. Do not put in direct contact with unit.)
- Tough, one-piece seamless, double-wall, polyethylene construction is easy to maintain and won't dent, crack, rust, chip or break.
- Thick polyurethane foam insulated compartments and air tight gaskets help to retain food quality and temperatures without the use of external heat sources.
- Durable nylon door latches are easy to open and close securely to provide maximum temperature retention. Door swings open 270° to the side for easy loading and unloading.
- Pop-up vent allows steam to be released and keeps menu items from becoming soggy.
- Ergonomic molded-in handles are located on top sides to provide safe and easy lifting and transporting.
- Security Package models are ideal for correctional facility use: Tamper-resistant screws on latches, non-removable doors, locking hasp for padlocks (padlocks not included).
- Units interlock for easy stacking and transporting.
- Optional Camdolly® provides easy transport.
- Non-electrical.
- No assembly required.
- Available in 8 colors.

Item No. \_\_\_\_\_

Specifier Identification No. \_\_\_\_\_

Model No. \_\_\_\_\_

Quantity \_\_\_\_\_



**UPC400**  
(Shown with Camchiller, ThermoBarrier and CD400 Camdolly)



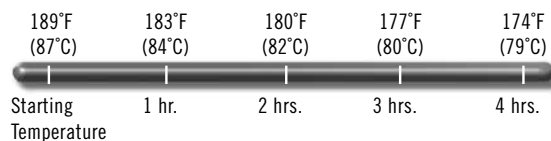
**UPC400**  
(Shown with Camwarmer®)



Single latch opens and closes easily. Durable nylon construction.

Nylon hinge pins and hinge retainer clips allow you to easily remove and clean the door.

### UPC400 Keeps Hot Food Hot for Hours!



### Approvals



# Camcarriers®

Item No. \_\_\_\_\_

Specifier Identification No. \_\_\_\_\_

Model No. \_\_\_\_\_

Quantity \_\_\_\_\_

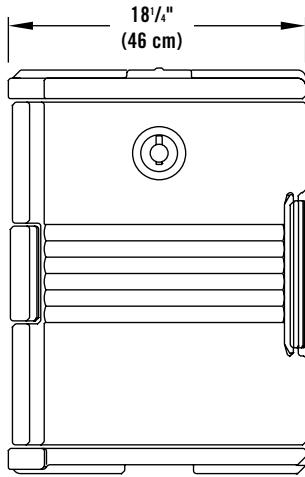
## Front Loading

For GN Food Pans

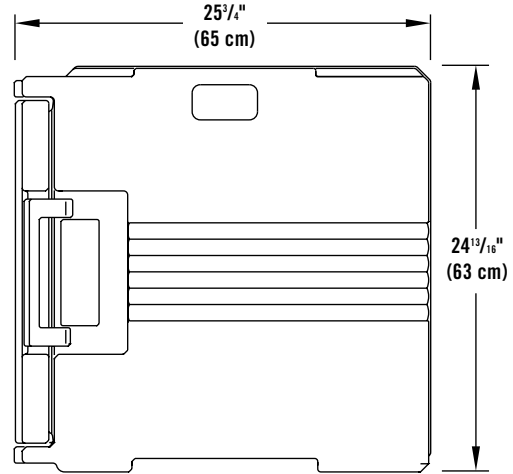
Model UPC400

Security Package

Model UPC400SP



UPC400



UPC400/UPC400SP

## Specifications

Dimension Tolerance: +/- 1/4" (0,64 cm)

Code	Description	Approx. Capacity	Exterior Dimensions W x D x H	Case kg (Cube m³)
UPC400	Camcarrier	60 qts. (57 L)	18 <sup>1</sup> / <sub>4</sub> " x 25 <sup>3</sup> / <sub>4</sub> " x 24 <sup>13</sup> / <sub>16</sub> " (46 x 65 x 63 cm)	35 (7.19) 16 (0,2014)
UPC400SP	Camcarrier – Security Package	60 qts. (57 L)	18 <sup>1</sup> / <sub>4</sub> " x 25 <sup>3</sup> / <sub>4</sub> " x 24 <sup>13</sup> / <sub>16</sub> " (46 x 65 x 63 cm)	35 (7.19) 16 (0,2014)

## Optional Accessories

- ThermoBarriers®**  400DIV – Gray (180)
- Camchiller®**  CP1220 – Cold Blue (159)
- Camwarmer®**  1210PW – Granite Gray (191)
- Camdolly®**  CD400 fits UPC400, UPC400SP
- Strap**  400STP

## Standard Colors

- Black (110)
- Navy Blue (186)
- Granite Sand (194)
- Dark Brown (131)
- Granite Gray (191)
- Slate Blue (401)
- Coffee Beige (157)
- Granite Green (192)

## Architect Specs

The non-electrical food service and transport front loading carrier shall be a Camcarrier, Model UPC400... manufactured by Cambro Mfg. Co., Huntington Beach, CA 92647 U.S.A. It shall be made of one-piece, seamless, double-wall, high-density, polyethylene. It shall have an insulated polyurethane foam-injected compartment. It shall have 12 each molded-in rails on 1 1/2" (3,8 cm) centers. It shall accommodate a variety of GN Full, Half or Third Size FoodPans, from 2 1/2" (6,5 cm) to 8" (20 cm) deep as well as 12 each 12" x 20" (32,5 x 53 cm) and 13" x 18" (33 x 45,7 cm) trays. It shall have a nylon door latch and an airtight gasket and the compartment door shall swing open 270° to the side. It shall have a pop-up vent on the outside of the door. It shall have ergonomic molded-in handles located on each of the sides. It shall be available with an optional tamper resistant security package for correctional facility use. UPC400SP shall have a non-removable door and a locking hasp. It shall require no assembly. It shall be available in 8 colors.

## Approvals

