

APPLICATION:

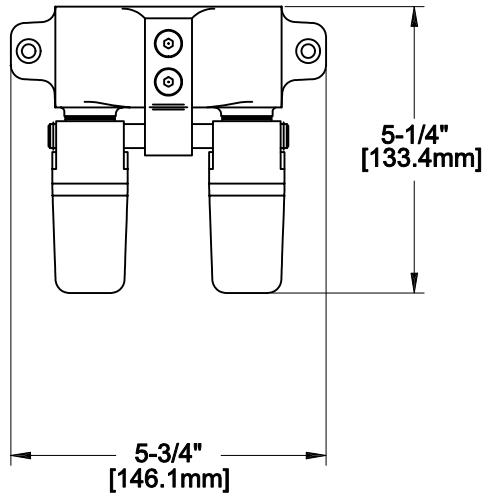
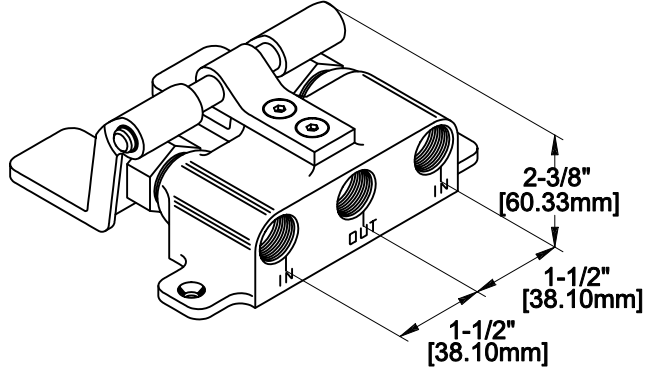
JOB NAME:

QUANTITY: _____ **ITEM NO.:** _____

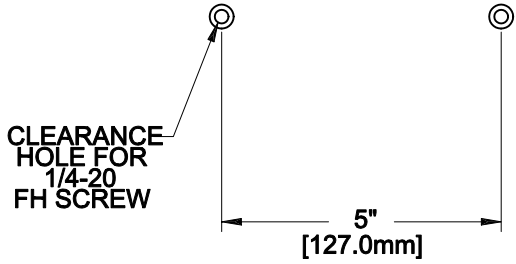
PRODUCT NAME:
**DOUBLE PEDAL CONTROL VALVE
 FLOOR MOUNT**

_____ **SPECIAL CONFIGURATION
 CHECK BASE MODEL AND OPTIONS**

MODEL:
 3170



ROUGH-IN:



OPTIONS OR MODIFICATIONS:

SUPPLY LINES (24" OR 36") CIRCLE LENGTH

OTHER _____

- FEATURES:**
- * PEDALS ANODIZED ALUMINUM
 - * CYLINDERS CLOSES WITH WATER FLOW
 - * POLISHED CHROME

RECOMMENDED SETTINGS

* 110°F @ 80 PSI

SYSTEM LIMITS

- * TEMP: 40 °F MIN. TO 140° F MAX.
- * PRESSURE 200 PSI MAX. STATIC

SHIPPING WEIGHT

* 3.5 LBS