

APPLICATION:

PRODUCT NAME:
SWIVEL CONTROL SPOUT

JOB NAME:

SPECIAL CONFIGURATION
 CHECK BASE MODEL AND OPTIONS

QUANTITY:

ITEM NO.

MODEL:
 11010 8" SWIVEL CONTROL SPOUT
 4000-0001 11" SWIVEL CONTROL SPOUT

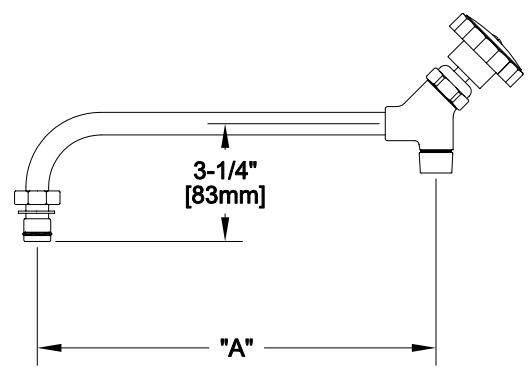
OPTIONS OR MODIFICATIONS:
 OTHER _____

FEATURES

RECOMMENDED SETTINGS
 * 110°F AT 80 PSI

SYSTEM LIMITS
 * TEMP: 40°F MIN. TO 140°F MAX.
 * PRESSURE: 200 PSI MAX. STATIC

SHIPPING WEIGHT
 * 1.25 LBS



MODEL	DIM "A"
11010	8" [204mm]
4000-0001	11" [280mm]