



Installation and Maintenance Instructions

Limited One Year Warranty

T&S warrants to the original purchaser (other than for purposes of resale) that such product is free from defects in material and workmanship for a period of one (1) year from the date of purchase. During this one-year warranty period, if the product is found to be defective, T&S shall, at its options, repair and/or replace it. To obtain warranty service, products must be returned to...

*T&S Brass and Bronze Works, Inc.
Attn: Warranty Repair Department
2 Saddleback Cove
Travelers Rest, SC 29690*

Shipping, freight, insurance, and other transportation charges of the product to T&S and the return of repaired or replaced product to the purchaser are the responsibility of the purchaser. Repair and/or replacement shall be made within a reasonable time after receipt by T&S of the returned product. This warranty does not cover items which have received secondary finishing or have been altered or modified after purchase, or for defects caused by physical abuse to or misuse of the product, or shipment of the products.

Any express warranty not provided herein, and any remedy for Breach of Contract which might arise, is hereby excluded and disclaimed. Any implied warranties of merchantability or fitness for a particular purpose are limited to one year in duration. Under no circumstances shall T&S be liable for loss of use or any special consequential costs, expenses or damages.

Some states do not allow limitations on how long an implied warranty lasts or the exclusion or limitation of incidental or consequential damages, so the above limitations or exclusions may not apply to you. Specific rights under this warranty and other rights vary from state to state.



B-1200

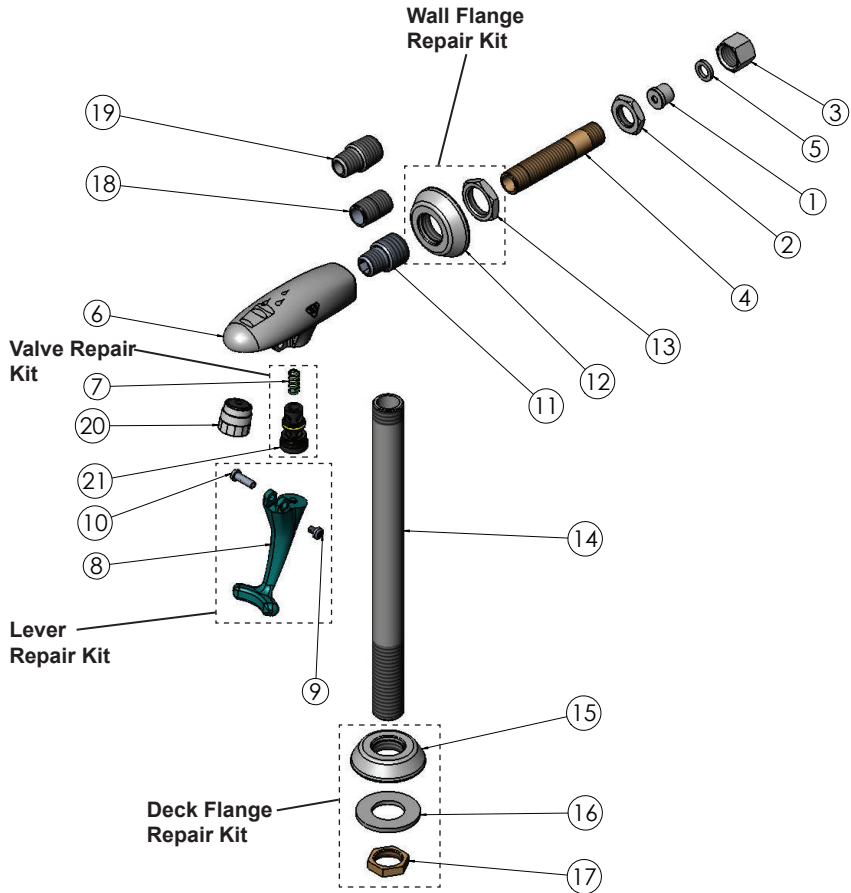


B-1210

B-1200 Series Soft-Touch Glass Fillers

P/N: 098-016883-45 Rev.2
Date: 04-26-12
Drawn: TEH
Checked: JRM 04-30-12
Approved: JHB 05-01-12

Exploded View



Part Number Guide

Glass Filler Assemblies

<i>Item</i>	<i>Description</i>	<i>Sales No.</i>
1	Tailpiece, 1/4" Sweat	000852-20
2	Locknut	000716-20
3	Nut, Coupling	000715-20
4	Nipple, 3/8" Supply	000379-20
5	Washer	N/A
6	Body, Glass Filler	N/A
	* Glass Filler Lever Repair Kit	015550-45
8	Lever Arm	N/A
9	Screw, Handle	N/A
10	Nut, Handle	N/A
11	Adapter, 3/8" NPT-M x 7/8-18-M / 3/8" NPT-F	N/A
	Glass Filler Wall Flange Repair Kit	016782-40
12	Adjustable Wall Flange	N/A
13	Locknut, B-1200	N/A
14	Pedestal, 4", 8", 10", 12" or 16", Varies by Model	N/A
	Glass Filler Deck Flange Repair Kit	016783-40
15	Flange, B-1210	N/A
16	Washer, Pedestal	N/A
17	Locknut, Shank	N/A
18	Nipple, 3/8" Close	002535-25
19	Adapter, 3/8" NPT x 1/2" NPT	N/A
	* Glass Filler Valve Repair Kit	015589-40
7	Spring, Valve Stem	N/A
21	Valve Assembly	N/A
20	* Glass Filler Outlet Repair Kit	015588-40

Specific items used for **B-1200**: 12, 13, 18

Specific items used for **B-1202**: 1-5, 11-13

Specific items used for **B-1204**: 19

Specific items used for **B-1205**: 18

Items 14-17 used for models: **B-1210** - 8" Pedestal

B-1210-01 - 10" Pedestal

B-1210-12 - 12" Pedestal

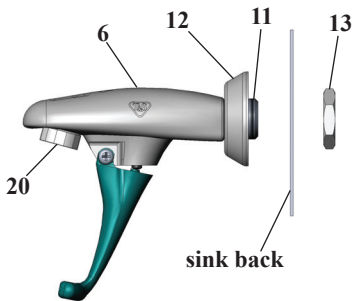
B-1211 - 4" Pedestal

* **B-1256** includes Lever, Valve and Outlet Repair Kits

General Instructions

Installation: (B-1200)

1. Turn off water supply and drain lines. Hand tighten no.12 firmly against no.6 and remove no.13 from no.11.



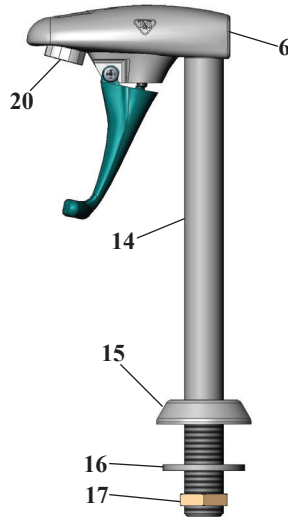
2. Drill 7/8" hole in sheet metal. Insert no.6 through hole and screw no.13 on back of no.6, leaving no.12 free to turn.
3. Apply teflon tape or pipe joint compound to threads of water supply line. Connect no.6 to water supply line outlet, tightening as far as possible.
4. Tighten no.12 and no.13 so they are flush against surface of sink back.
5. Turn on water supply and check for leaks.

Flow Adjustment:

To adjust water flow, use included T-45 Torx wrench & inserting it into no.20 turn clockwise to increase water flow, turn counterclockwise to reduce water flow.

Installation: (B-1210)

1. Turn off water supply and drain lines.
2. Unscrew and remove no.16 and no.17 from no.14. Position no.15 to cover threads of no.14.
3. Place no.14 through 7/8" hole in countertop. Replace no.16 and no.17 onto no.14 and tighten with a wrench at bottom side of countertop.



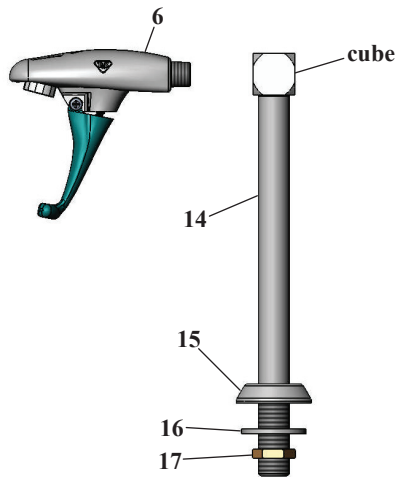
4. Apply teflon tape or pipe joint compound to threads of no.14, connect to water supply line inlet.
5. Turn on water supply and check for leaks.

To adjust water flow see flow adjustment note for B-1200 model.

General Instructions

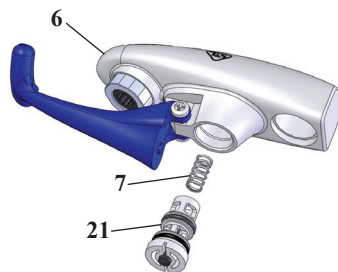
For Retro-Fit of Glass Filler Only

1. Turn off water supply and drain lines.
2. Heat cube & unscrew glass filler from cube.
3. Apply Loctite 680, teflon tape or joint compound to the threads of no.6. Screw into cube of no.14, then align and tighten no.6. Let Loctite 680 sit for 20 minutes.
4. Turn on water supply and check for leaks.



For Glass Filler Valve Repair Kit

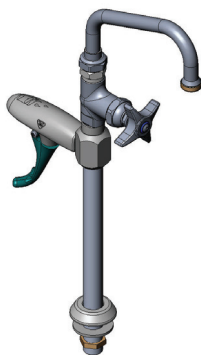
1. Unscrew no.21 with flathead screwdriver.
2. Remove no.7 spring.
3. Place new no.21 and no.7 into no.6.
4. Screw no.21 until flush with no.6.



RELATED T&S BRASS PRODUCT LINE



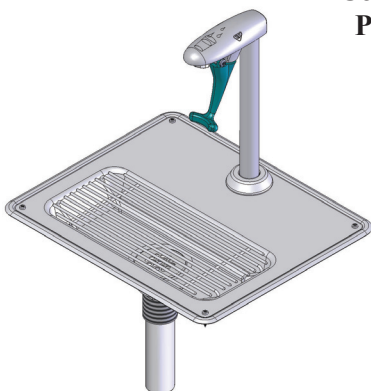
B-1215
Double Glass Filler



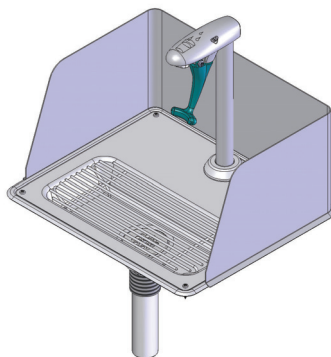
B-1225
**Combo Glass &
Pitcher Filler**



B-1222
**8" Pedestal Glass
Filler**



B-1230
**Water Station with
Pedestal Glass Filler**



B-1235
**Water Station with
Pedestal Glass Filler
and Backsplash**

T&S BRASS AND BRONZE WORKS, INC.

A firm commitment to application-engineered plumbing products

2 Saddleback Cove, P.O. Box 1088
Travelers Rest, SC 29690
Phone: (864) 834-4102
Fax: (864) 834-3518
E-mail: tsbrass@tsbrass.com

T & S Brass-Europe
'De Veenhoeve'
Oude Nieuwveenseweg 84
2441 CW Nieuwveen
The Netherlands



RELIABILITY BUILT IN™