



#### Limited One Year Warranty

T&S warrants to the original purchaser (other than for purposes of resale) that such product is free from defects in material and workmanship for a period of one (1) year from the date of purchase. During this one-year warranty period, if the product is found to be defective, T&S shall, at its options, repair and/or replace it. To obtain warranty service, products must be returned to...

*T&S Brass and Bronze Works, Inc.  
Attn: Warranty Repair Department  
2 Saddleback Cove  
Travelers Rest, SC 29690*

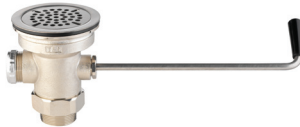
Shipping, freight, insurance, and other transportation charges of the product to T&S and the return of repaired or replaced product to the purchaser are the responsibility of the purchaser. Repair and/or replacement shall be made within a reasonable time after receipt by T&S of the returned product. This warranty does not cover items which have received secondary finishing or have been altered or modified after purchase, or for defects caused by physical abuse to or misuse of the product, or shipment of the products.

Any express warranty not provided herein, and any remedy for Breach of Contract which might arise, is hereby excluded and disclaimed. Any implied warranties of merchantability or fitness for a particular purpose are limited to one year in duration. Under no circumstances shall T&S be liable for loss of use or any special consequential costs, expenses or damages.

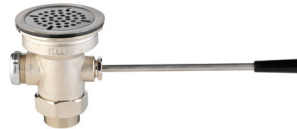
Some states do not allow limitations on how long an implied warranty lasts or the exclusion or limitation of incidental or consequential damages, so the above limitations or exclusions may not apply to you. Specific rights under this warranty and other rights vary from state to state.

P/N: 098-018118-45  
Date: 04-27-11  
Drawn: TEH  
Checked: GEF 05-05-11  
Approved: JHB 05-06-11

# Installation and Maintenance Instructions

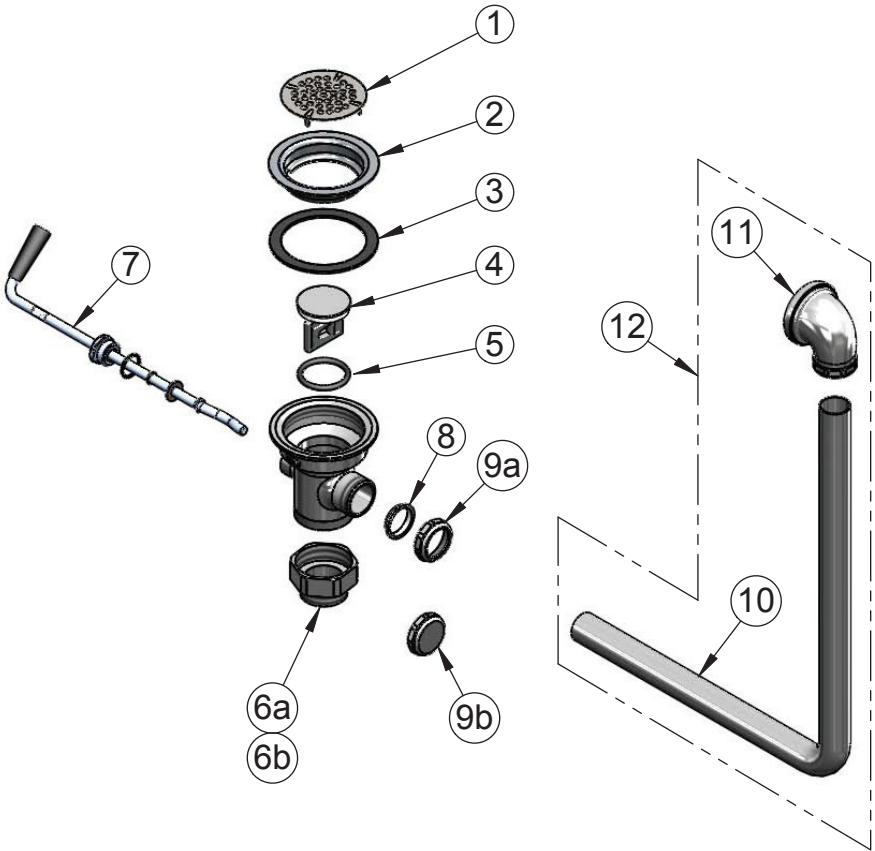


## B-3940 & B-3950 Series Rotary Waste Drain Valve



## B-3960 & B-3970 Series Lever Waste Drain Valve

# Exploded View



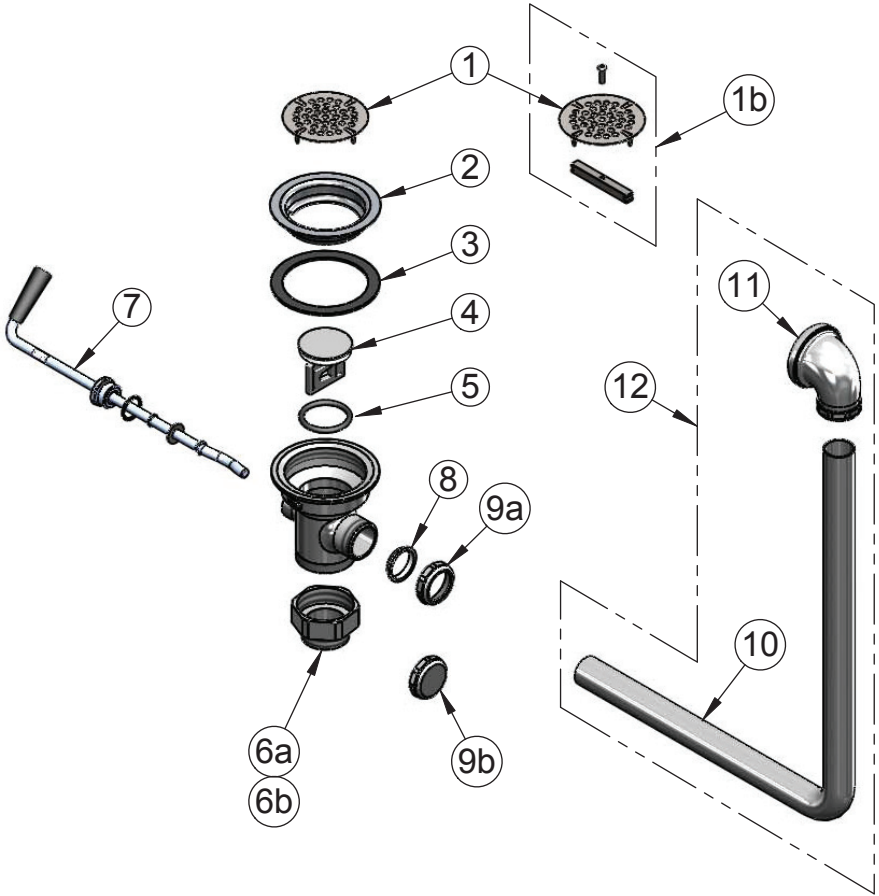
**B-3940 Series**

# Part Number Guide

## *B-3940 Series Rotary Waste Drain Valve*

1	Strainer, 3" Snap-in Removable	010385-45
2	Flange, 3" Face	015306-45
3	Gasket, 3" Face Flange	010381-45
4	Plunger, Twist Drain	010388-45
5	O-Ring, Plunger	010389-45
6a	Adapter, 2" NPT x 1½" NPT Male	B-3945
6b	Adapter, 2" NPT x 1½" BSP Male	B-3945-BSP
7	Handle Asm, Rotary Waste Valve Twist	010393-45
8	Ferrule, Coupling Nut	010390-45
9a	Nut, Coupling For Twist Drain	010391-45
9b	Cap, O'Flow Seal Drain	012640-45
10	Tube, Overflow Elbow	011355-45
11	Head Asm, Overflow Tube	011356-45
12	Waste Drain Overflow Kit	B-3999-OF

# Exploded View



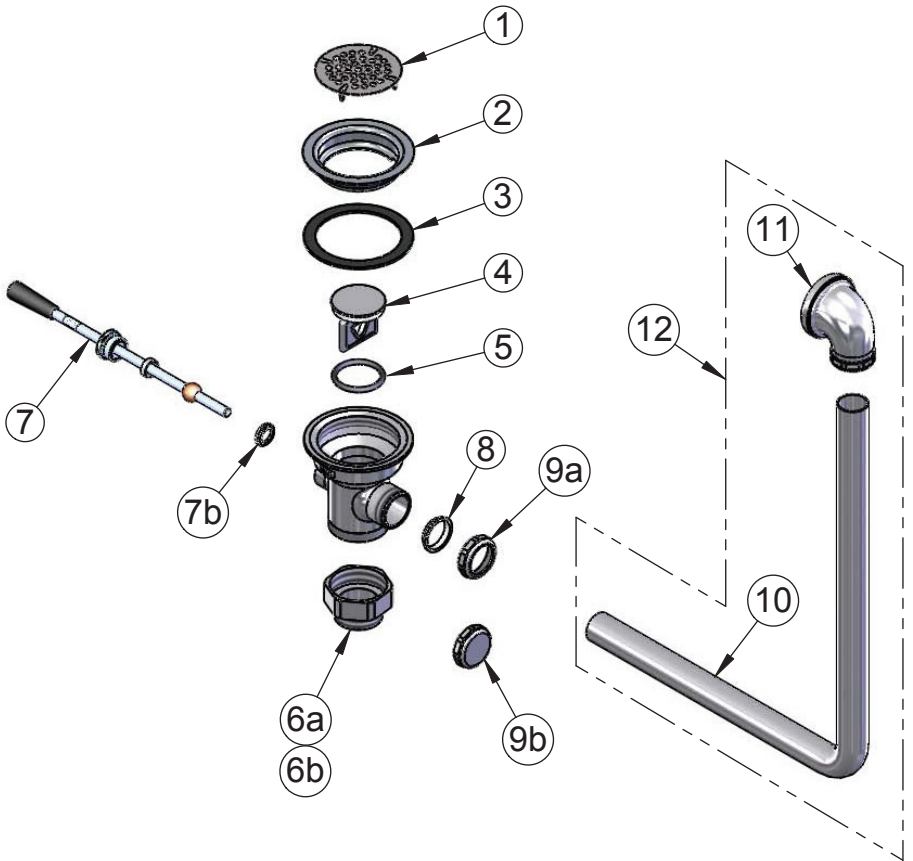
**B-3950 Series**

# Part Number Guide

## *B-3950 Series Rotary Waste Drain Valve*

1	Strainer, 3½" Snap-in Removable	010386-45
1b	Vandal Resistant Locking Flat Strainer, 3½"	010386-45VR
2	Flange, 3½ Face	010384-45
3	Gasket, 3½" Face Flange	010382-45
4	Plunger, Twist Drain	010388-45
5	O-Ring, Plunger	010389-45
6a	Adapter, 2" NPT x 1½" NPT Male	B-3945
6b	Adapter, 2" NPT x 1½" BSP Male	B-3945-BSP
7	Handle Asm, Rotary Waste Valve Twist	010393-45
8	Ferrule, Coupling Nut	010390-45
9a	Nut, Coupling For Twist Drain	010391-45
9b	Cap, O'Flow Seal Drain	012640-45
10	Tube, Overflow Elbow	011355-45
11	Head Asm, Overflow Tube	011356-45
12	Waste Drain Overflow Kit	B-3999-OF

# Exploded View



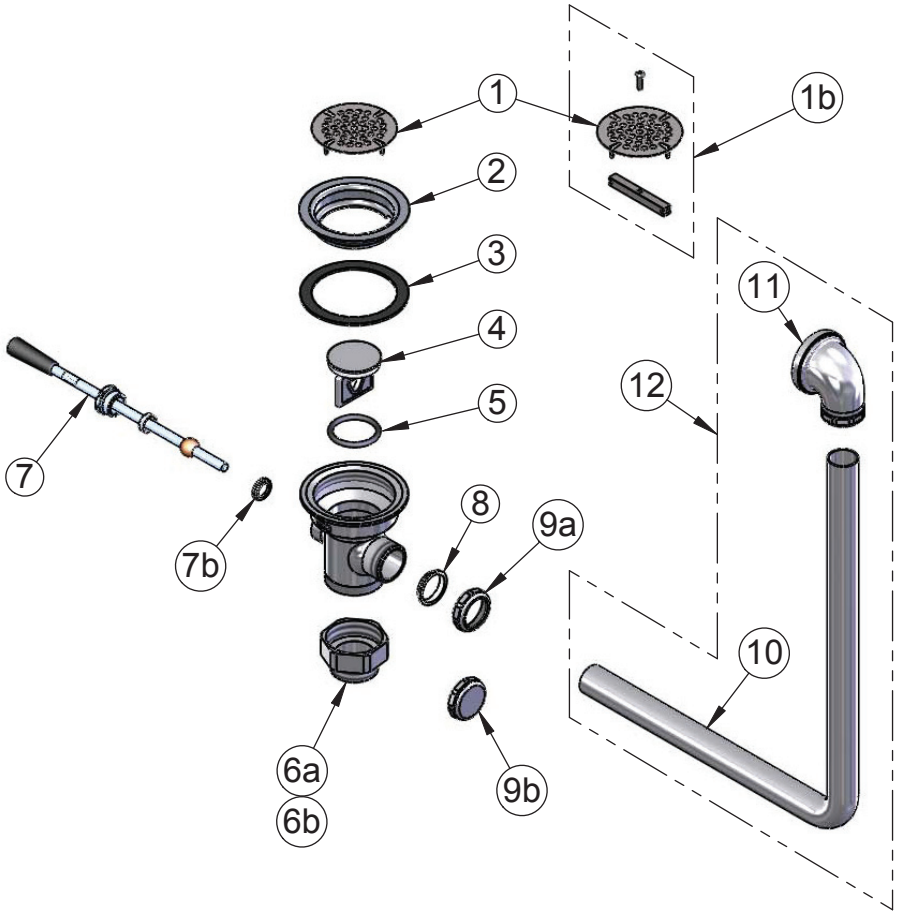
**B-3960 Series**

# Part Number Guide

## *B-3960 Series Lever Waste Drain Valve*

1	Strainer, 3" Snap-in Removable	010385-45
2	Flange, 3" Face	015306-45
3	Gasket, 3" Face Flange	010381-45
4	Plunger Casting for Lever Waste Drain	015405-45
5	O-Ring, Plunger	010389-45
6a	Adapter, 2" NPT x 1½" NPT Male	B-3945
6b	Adapter, 2" NPT x 1½" BSP Male	B-3945-BSP
7	Handle Asm, Waste Drain Valve Lever	010394-45
7b	Bushing, Waste Drain Lever Handle	010392-45
8	Ferrule, Coupling Nut	010390-45
9a	Nut, Coupling For Twist Drain	010391-45
9b	Cap, O'Flow Seal Drain	012640-45
10	Tube, Overflow Elbow	011355-45
11	Head Asm, Overflow Tube	011356-45
12	Waste Drain Overflow Kit	B-3999-OF

# Exploded View



**B-3970 Series**



# Part Number Guide

## *B-3970 Series Lever Waste Drain Valve*

1	Strainer, 3½" Snap-in Removable	010386-45
1b	Vandal Resistant Locking Flat Strainer, 3½"	010386-45VR
2	Flange, 3½ Face	010384-45
3	Gasket, 3½" Face Flange	010382-45
4	Plunger Casting for Lever Waste Drain	015405-45
5	O-Ring, Plunger	010389-45
6a	Adapter, 2" NPT x 1½" NPT Male	B-3945
6b	Adapter, 2" NPT x 1½" BSP Male	B-3945-BSP
7	Handle Asm, Waste Drain Valve Lever	010394-45
7b	Bushing, Waste Drain Lever Handle	010392-45
8	Ferrule, Coupling Nut	010390-45
9a	Nut, Coupling For Twist Drain	010391-45
9b	Cap, O'Flow Seal Drain	012640-45
10	Tube, Overflow Elbow	011355-45
11	Head Asm, Overflow Tube	011356-45
12	Waste Drain Overflow Kit	B-3999-OF

# General Instructions

## Installation

Figure 1 shows an explosion of the waste drain installation

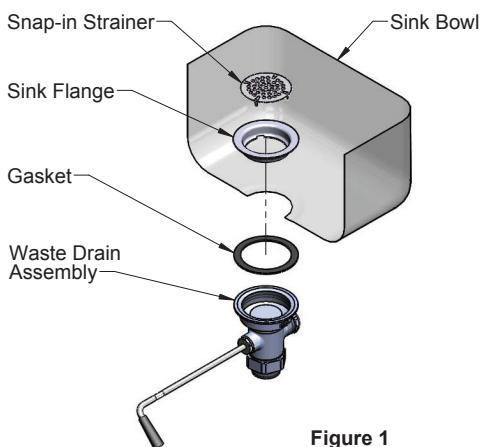


Figure 1

1. Remove the Snap-in Strainer and unscrew the Sink Flange from the Waste Drain Assembly. Apply a bead of Plumber's Putty to the bottom of the Sink Flange where it contacts the sink bowl.
2. Make sure the underside and inside mating surfaces of the sink bowl in the area of the drain are clean.
3. Install the Waste Drain Assembly and Gasket from below the sink.
4. Install the Sink Flange thru the sink drain opening and screw it into the Waste Drain Assembly below.
5. Before tightening, position the waste drain Handle to the desired location. Tighten the Sink Flange securely with a Sink Flange Tool\* or similar.

\* Sink Flange Installation Tool # 017670-45 is available through T&S (see last page).

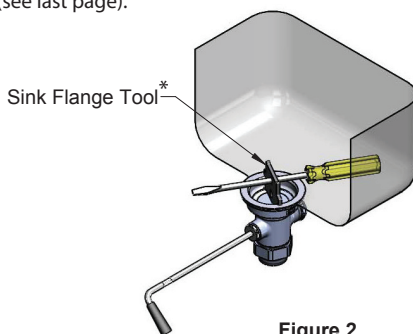
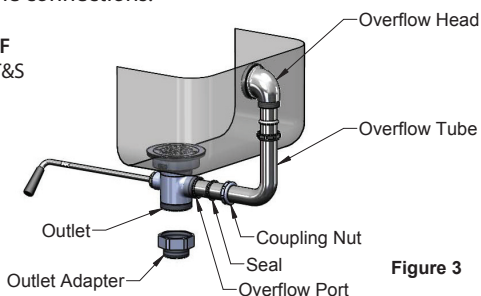


Figure 2

# General Instructions

6. If Overflow\* is used - Install the Overflow Head in the sink. Measure and cut the overflow tube to fit into the Overflow Head and Overflow Port on the waste drain Outlet. Install the Coupling Nuts and Seals on the overflow tube. Install the overflow tube and tighten the connections.

\* Overflow **B-3990-OF** is available through T&S (see last page).

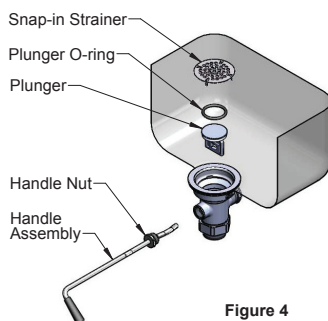


7. Connect the drain line to the waste drain Outlet. If Outlet Adapters are used, seal all threaded connections with pipe sealant.

8. Open and close the waste drain several times to check the operation. Check for leaks.

## Maintenance

Figure 4 shows a maintenance explosion of a typical Waste Drain Assembly.



Parts kit B-39K\* is available for all servicable seals in Waste Drain models B-3940 Series thru B-3970 Series. Most seal service and maintenance can be conducted without removal of the waste drain from the sink or plumbing system. A typical maintenance procedure is as follows:

1. Remove the Snap-in Strainer to allow access to the plunger.
2. Loosen and unscrew the Handle Nut and remove the Handle Assembly. Handle Assembly seals can be serviced at this point.
3. Lift and remove the Plunger. The plunger O-Ring can be serviced at this point.
4. Re-assemble in reverse order. Check for leaks.

\* **B-39K** is available through T&S (see last page).

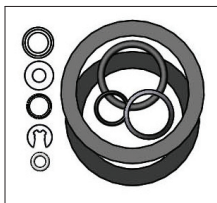
## RELATED T&S BRASS PRODUCT LINE



**B-3999-OF**  
Waste Drain  
Overflow Kit



**017670-45**  
Waste Drain  
Installation Tool



**B-39K**  
Parts Kit for  
Waste Drains

---

## T&S BRASS AND BRONZE WORKS, INC.

A firm commitment to application-engineered plumbing products

2 Saddleback Cove, P.O. Box 1088  
Travelers Rest, SC 29690  
Phone: (864) 834-4102  
Fax: (864) 834-3518  
E-mail: [tsbrass@tsbrass.com](mailto:tsbrass@tsbrass.com)

T & S Brass-Europe  
'De Veenhoeve'  
Oude Nieuwveenseweg 84  
2441 CW Nieuwveen  
The Netherlands



RELIABILITY BUILT IN™