

T&S BRASS AND BRONZE WORKS, INC.
 2 Saddleback Cove / P.O. Box 1088
 Travelers Rest, SC 29690

Model No.
004R

Item No.

Travelers Rest, SC: 800-476-4103 • Simi Valley, CA: 800-423-0150 • Fax: 864-834-3518 • www.tsbrass.com

This Space for Architect/Engineer Approval

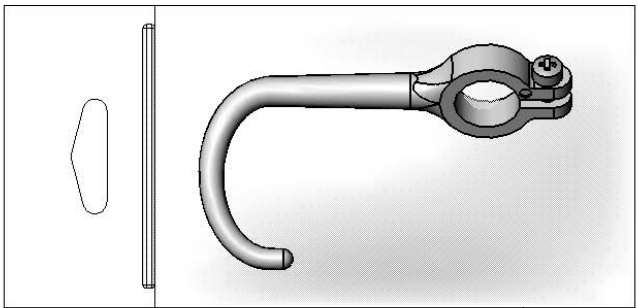
Job Name _____ Date _____

Model Specified _____ Quantity _____

Customer/Wholesaler _____

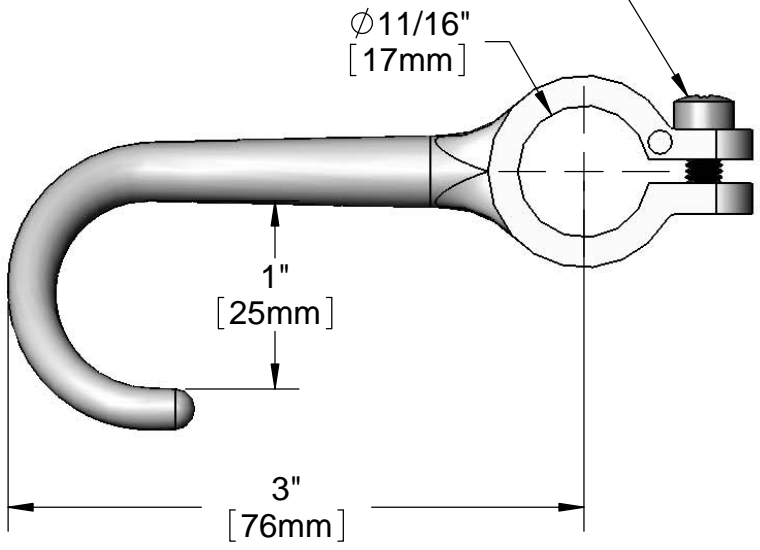
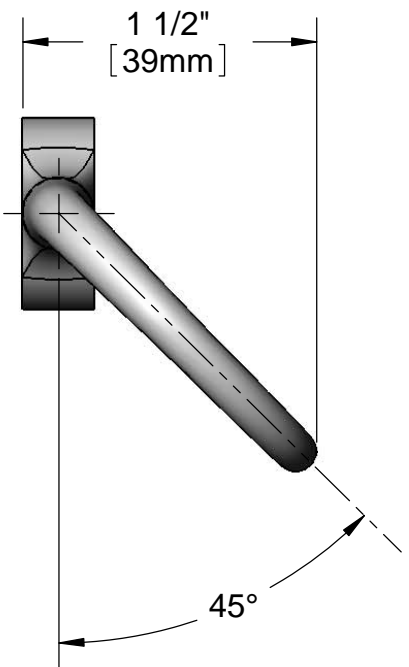
Contractor _____

Architect/Engineer _____



Supplied w/
 3" x 5" Polybag

Supplied w/ Cross Recessed
 Fillister Head Machine Screw



Product Specifications:
 Finger Hook w/ Screw

Drawn DHL	Checked DMH	Approved JHB
Scale: 1:2		Date: 03/18/13