

*This Space for Architect/Engineer Approval*

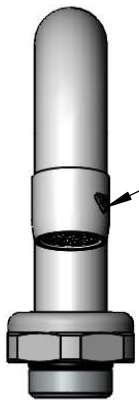
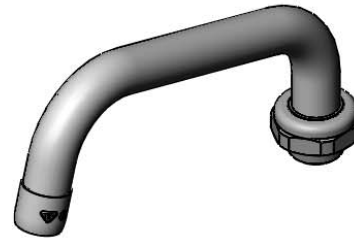
Job Name \_\_\_\_\_ Date \_\_\_\_\_

Model Specified \_\_\_\_\_ Quantity \_\_\_\_\_

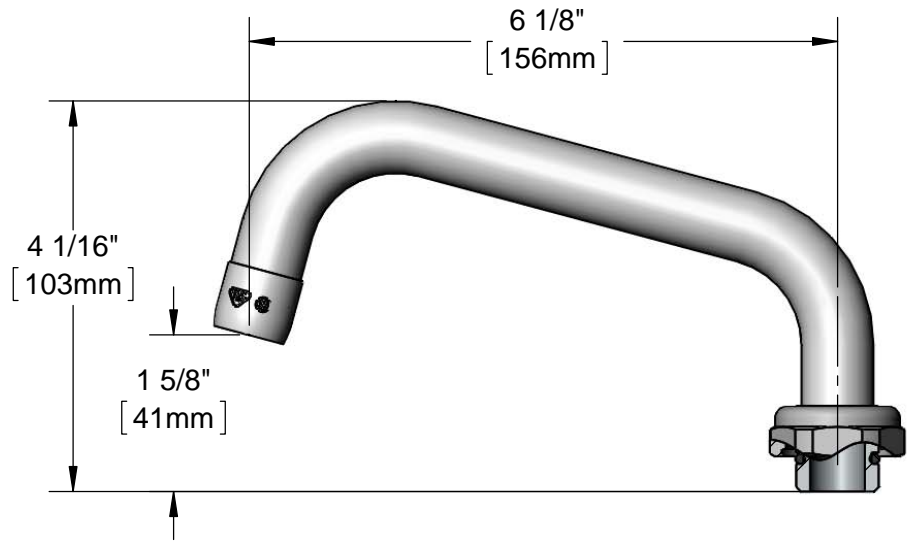
Customer/Wholesaler \_\_\_\_\_

Contractor \_\_\_\_\_

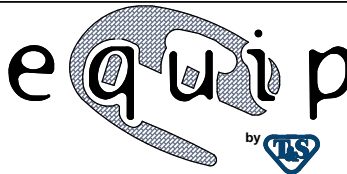
Architect/Engineer \_\_\_\_\_



Laminar Flow  
Outlet Device



**Note:**  
Conversion to Rigid Requires 014200-45 Lock Washer  
(Available Separately)

Model Number  <h2 style="text-align: center;">5SP-06</h2>	Product Specifications:  <h3 style="text-align: center;">6" Swing Nozzle w/ Laminar Flow Outlet Device</h3>				
Product Compliance:  ASME A112.18.1 / CSA B125.1 NSF 61 - Section 9 NSF 372 (Low Lead Content)	<div style="display: flex; justify-content: space-between; align-items: center;"> <div data-bbox="602 1906 740 1980"> <p>equip Foodservice Accessories</p> </div> <div data-bbox="745 1858 1089 2030">  </div> <div data-bbox="1097 1894 1570 1997"> <p>2 Saddleback Cove, P.O. Box 1088            Travelers Rest, South Carolina 29690            Phone: 800.891.4808 Fax: 800.868.0084            equip.tsbrass.com</p> </div> </div>				
Drawn: JBC	Checked: JRM	Approved: JHB	Date: 11/21/16	Scale: 1:2	Sheet: 1 of 1