

*This Space for Architect/Engineer Approval*

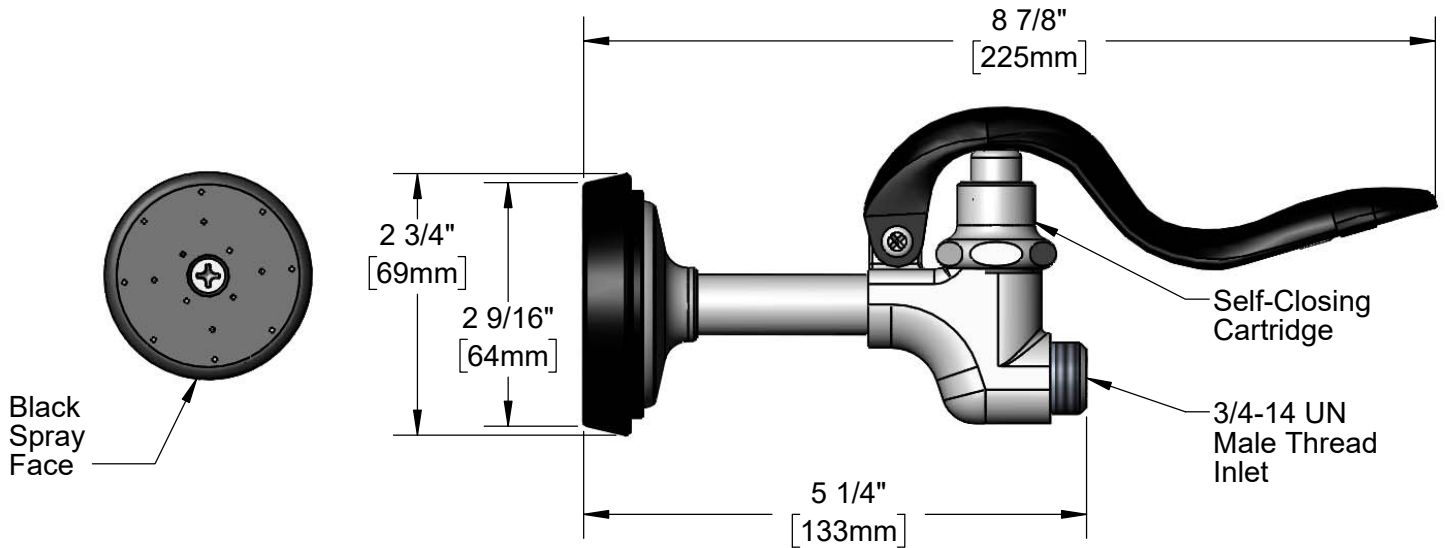
Job Name \_\_\_\_\_ Date \_\_\_\_\_

Model Specified \_\_\_\_\_ Quantity \_\_\_\_\_

Customer/Wholesaler \_\_\_\_\_

Contractor \_\_\_\_\_

Architect/Engineer \_\_\_\_\_



Model Number

**5SV-H**

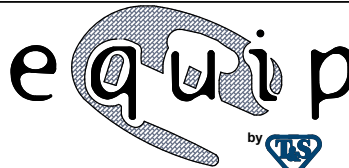
Product Specifications:

**International Pre-Rinse Unit: Black High Flow Spray Valve, Self Closing Cartridge and 3/4-14 Inlet**

Product Compliance:

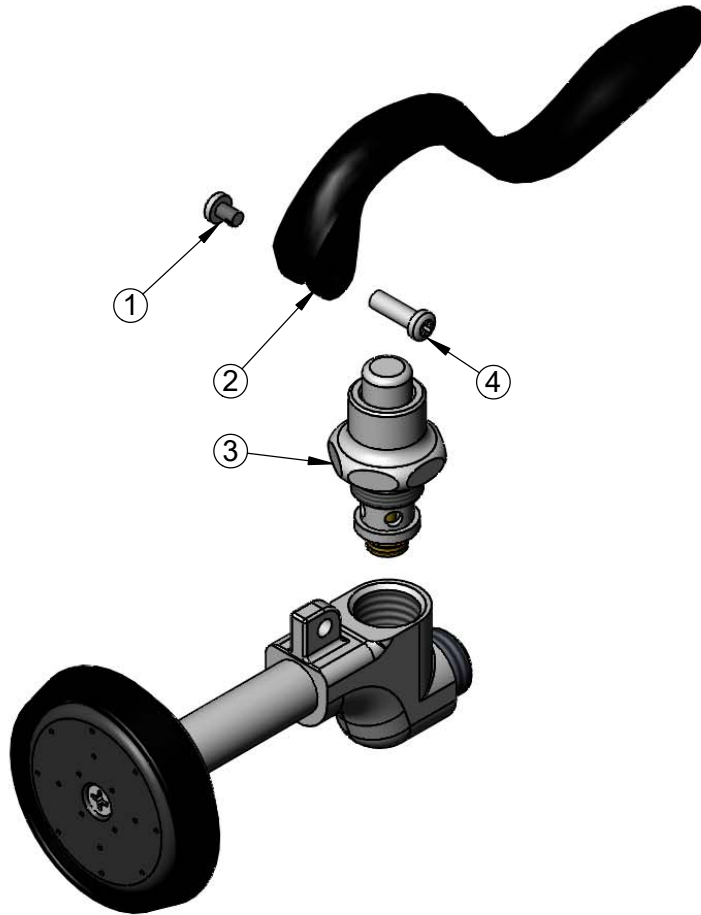
ASME A112.18.1 / CSA B125.1  
NSF 61 - Section 9  
NSF 372 (Low Lead Content)  
2019 DOE PRSV Non-Compliant  
Product Not Designed/Intended for  
Commercial Warewashing in North America

equip  
Foodservice  
Accessories



2 Saddleback Cove, P.O. Box 1088  
Travelers Rest, South Carolina 29690  
Phone: 800.891.4808 Fax: 800.868.0084  
equip.tsbrass.com

ITEM NO.	SALES NO.	DESCRIPTION
1	003199-45	Spray Valve Handle Screw
2	5SV-HDL	equip Black Spray Valve Handle
3	002856-40	Spray Valve Bonnet
4	003198-45	Spray Valve Handle Nut



Model Number

**5SV-H**

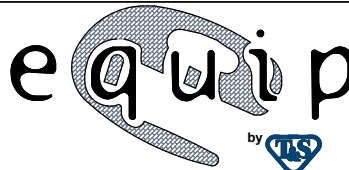
Product Specifications:

International Pre-Rinse Unit: Black High Flow Spray Valve, Self Closing Cartridge and 3/4-14 Inlet

Product Compliance:

ASME A112.18.1 / CSA B125.1  
 NSF 61 - Section 9  
 NSF 372 (Low Lead Content)  
 2019 DOE PRSV Non-Compliant  
 Product Not Designed/Intended for  
 Commercial Warewashing in North America

equip  
 Foodservice  
 Accessories



2 Saddleback Cove, P.O. Box 1088  
 Travelers Rest, South Carolina 29690  
 Phone: 800.891.4808 Fax: 800.868.0084  
 equip.tsbrass.com