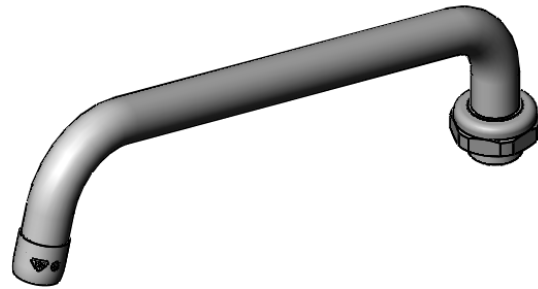
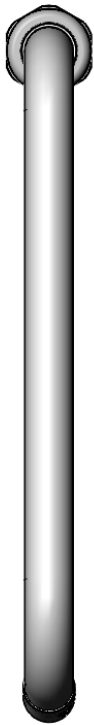
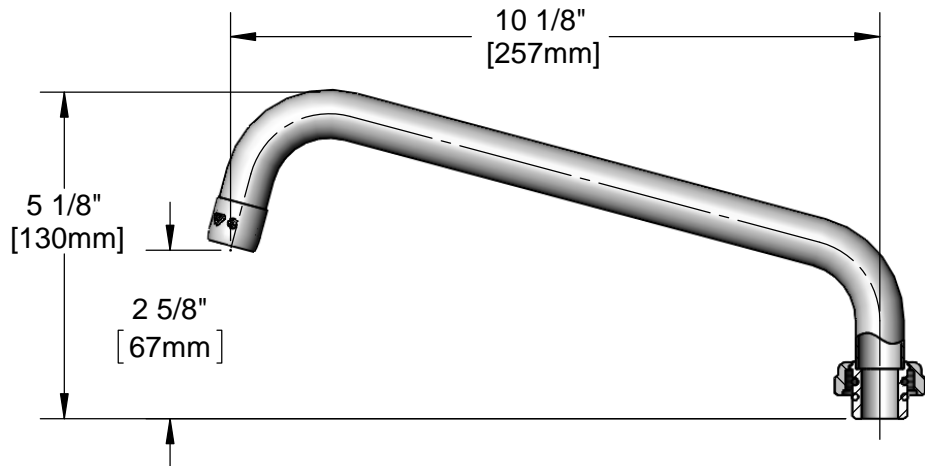


*This Space for Architect/Engineer Approval*

Job Name \_\_\_\_\_ Date \_\_\_\_\_  
 Model Specified \_\_\_\_\_ Quantity \_\_\_\_\_  
 Customer/Wholesaler \_\_\_\_\_  
 Contractor \_\_\_\_\_  
 Architect/Engineer \_\_\_\_\_



Laminar Flow Outlet Device



Note:  
 Conversion to Rigid Requires 014200-45 Lock Washer  
 (Available Separately)

Model Number  <h2 style="text-align: center;">5SP-10</h2>	Product Specifications:  <h3 style="text-align: center;">10" Swing Nozzle w/ Laminar Flow Outlet Device</h3>				
Product Compliance:  ASME A112.18.1 / CSA B125.1 NSF 61 - Section 9 NSF 372 (Low Lead Content)	<div style="display: flex; justify-content: space-between; align-items: center;"> <div data-bbox="600 1906 738 1980" style="text-align: center;"> <p>equip Foodservice Accessories</p> </div> <div data-bbox="743 1858 1096 2032" style="text-align: center;"> </div> <div data-bbox="1101 1896 1550 1995" style="text-align: right;"> <p>2 Saddleback Cove, P.O. Box 1088            Travelers Rest, South Carolina 29690            Phone: 800.891.4808 Fax: 800.868.0084  <a href="http://equip.tsbrass.com">equip.tsbrass.com</a></p> </div> </div>				
Drawn: JBC	Checked: JRM	Approved: JHB	Date: 11/21/16	Scale: 1:3	Sheet: 1 of 1