



T&S BRASS AND BRONZE WORKS, INC.
 2 Saddleback Cove / P.O. Box 1088
 Travelers Rest, SC 29690

Model No.
B-0108

Item No.

Travelers Rest, SC: 800-476-4103 • Simi Valley, CA: 800-423-0150 • Fax: 864-834-3518 • www.tsbrass.com

This Space for Architect/Engineer Approval

Job Name _____ Date _____

Model Specified _____ Quantity _____

Customer/Wholesaler _____

Contractor _____

Architect/Engineer _____

Extra Washer For
 Hose Connections

One-Handed Metal Trigger
 Lock w/ Added Anti-
 Rotational Feature

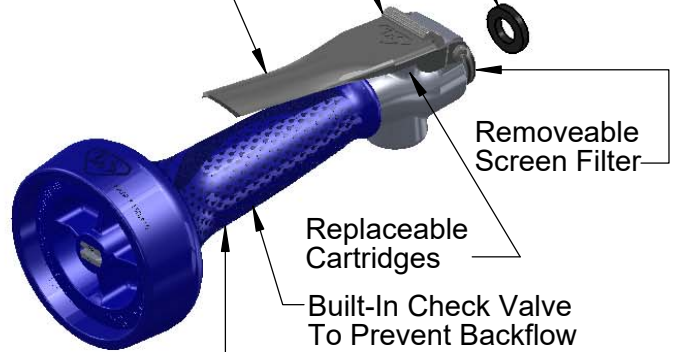
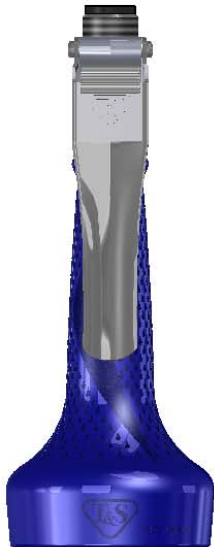
Surgical-Grade
 Polished
 Stainless Steel

Removeable
 Screen Filter

Replaceable
 Cartridges

Built-In Check Valve
 To Prevent Backflow

Non-Slip Ergonomic Santoprene
 Grip w/ Built-in Heat Dissipation
 Channels
 Crush-Resistant w/ Delrin Waterways

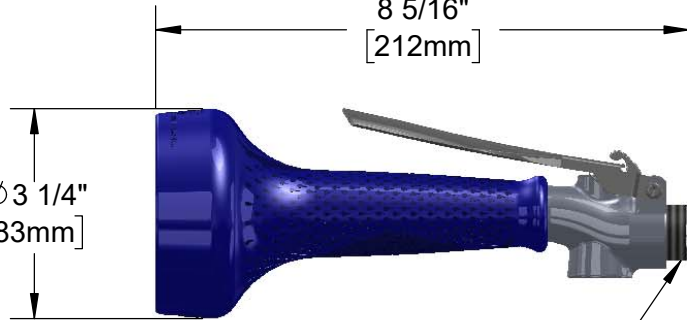


1.07 GPM @ 60 PSI
 (Optional B-0108-C
 0.65 GPM Available)



Ø 3 1/4"
 [83mm]

8 5/16"
 [212mm]



7/8-20 UN Male Inlet

Flow Rate: 1.07 GPM (4.05 Lpm) @ 60 psi
 Spray Force: 7.2 Ozf (204 Gramf) @ 60 psi

Product Specifications:
**1.07 GPM Spray Valve w/ Ergo-Grip, Replaceable Spray Face
 & Integrated One-Handed Trigger Lock**

Product Compliance:
 ASME A112.18.1 / CSA B125.1
 NSF 61 - Section 9
 NSF 372 (Low Lead Content)
 2019 DOE PRSV - Class II



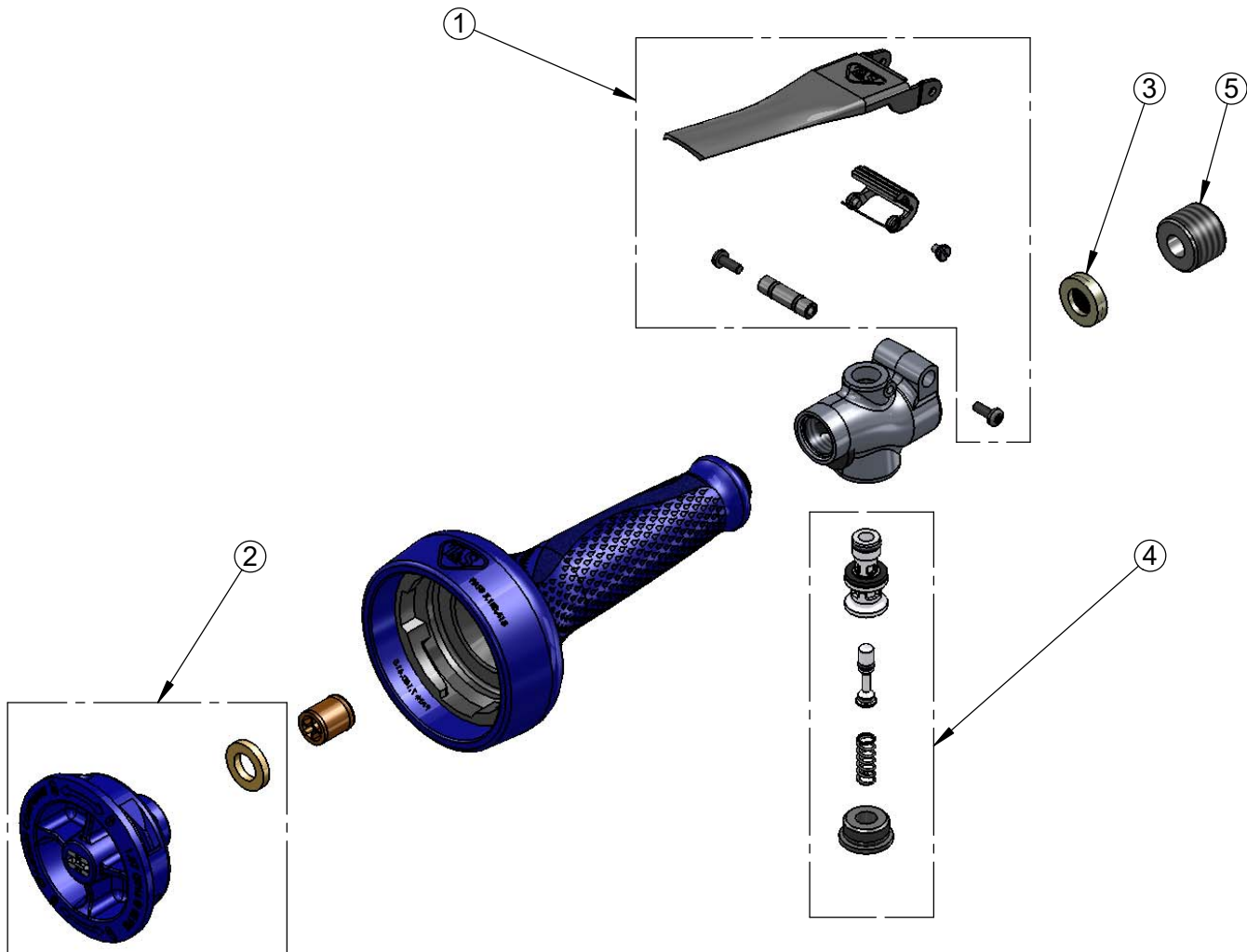
T&S BRASS AND BRONZE WORKS, INC.
 2 Saddleback Cove / P.O. Box 1088
 Travelers Rest, SC 29690

Model No.
B-0108

Item No.

Travelers Rest, SC: 800-476-4103 • Simi Valley, CA: 800-423-0150 • Fax: 864-834-3518 • www.tsbrass.com

ITEM NO.	SALES NO.	DESCRIPTION
1	108T-RK	Trigger Repair Kit
2	108SF-RK	Spray Face Repair Kit
3	108S-RK	Inlet Screen/Washer Repair Kit
4	108V-RK	Valve Repair Kit
5	014554-25	7/8-20 UN Close Nipple



Note:
 Individual Items in Repair Kits
 are not Sold Separately

Product Specifications:
 1.07 GPM Spray Valve w/ Ergo-Grip, Replaceable Spray Face
 & Integrated One-Handed Trigger Lock

Product Compliance:
 ASME A112.18.1 / CSA B125.1
 NSF 61 - Section 9
 NSF 372 (Low Lead Content)
 2019 DOE PRSV - Class II