



T&S BRASS AND BRONZE WORKS, INC.

2 Saddleback Cove / P.O. Box 1088
Travelers Rest, SC 29690

Model No.
B-0133-A-08 SERIES

Item No.

Travelers Rest, SC: 800-476-4103 • Simi Valley, CA: 800-423-0150 • Fax: 864-834-3518 • www.tsbrass.com

This Space for Architect/Engineer Approval

Job Name _____ Date _____

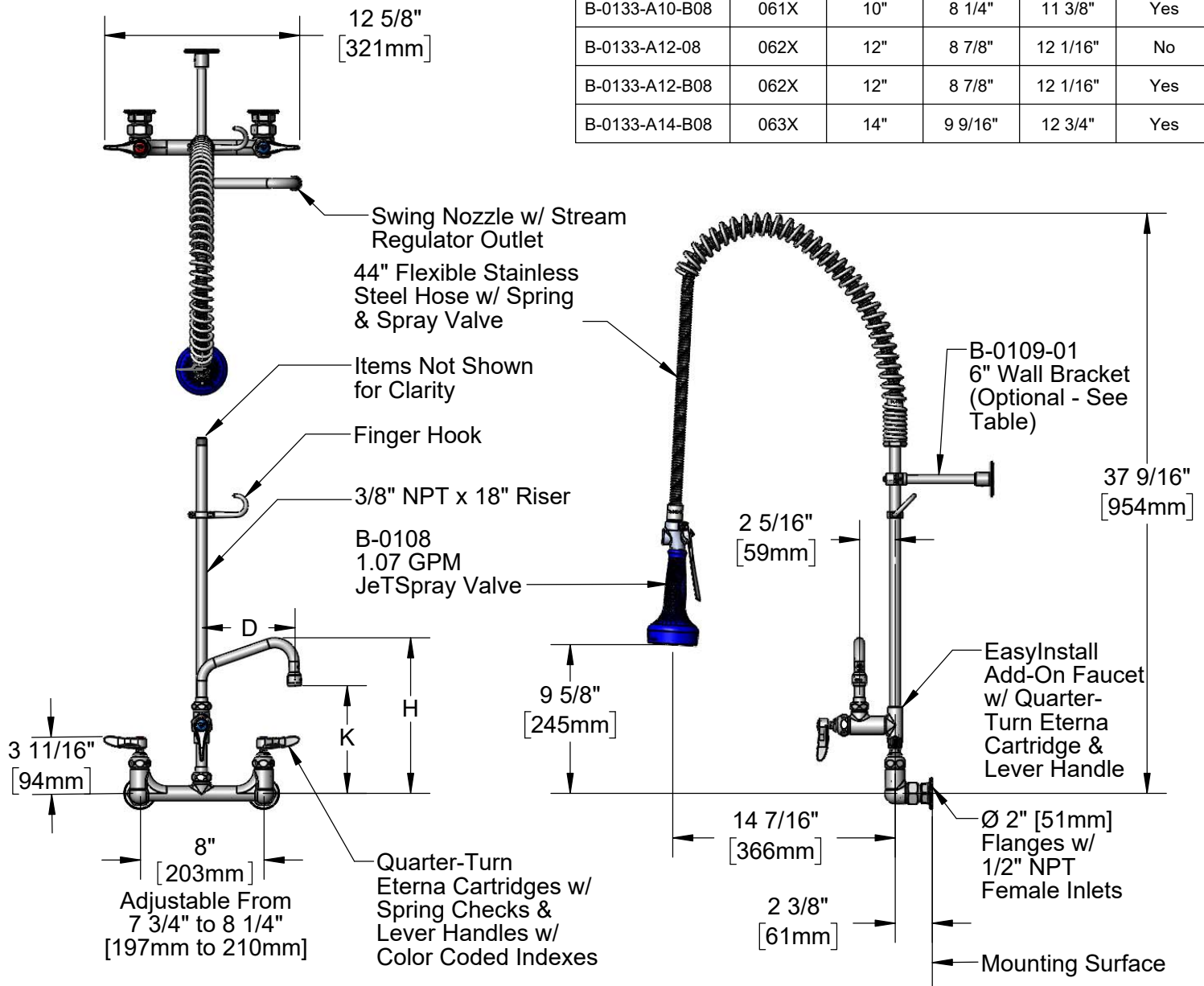
Model Specified _____ Quantity _____

Customer/Wholesaler _____

Contractor _____

Architect/Engineer _____

| Model | Swing Nozzle | D | K | H | 6" Wall Bracket |
|----------------|--------------|-----|---------|-----------|-----------------|
| B-0133-A06-08 | 059X | 6" | 7" | 10 1/16" | No |
| B-0133-A06-B08 | 059X | 6" | 7" | 10 1/16" | Yes |
| B-0133-A08-08 | 060X | 8" | 7 9/16" | 10 11/16" | No |
| B-0133-A08-B08 | 060X | 8" | 7 9/16" | 10 11/16" | Yes |
| B-0133-A10-08 | 061X | 10" | 8 1/4" | 11 3/8" | No |
| B-0133-A10-B08 | 061X | 10" | 8 1/4" | 11 3/8" | Yes |
| B-0133-A12-08 | 062X | 12" | 8 7/8" | 12 1/16" | No |
| B-0133-A12-B08 | 062X | 12" | 8 7/8" | 12 1/16" | Yes |
| B-0133-A14-B08 | 063X | 14" | 9 9/16" | 12 3/4" | Yes |



Product Specifications:

Pre-Rinse Unit: EasyInstall 8" Wall Mount Mixing Faucet, Quarter-Turn Eterna Cartridges w/ Spring Checks, Lever Handles, Add-On Faucet w/ Swing Nozzle, 44" Flexible Stainless Steel Hose, 1.07 GPM Spray Valve, 18" Riser, 6" Wall Bracket (Optional) & 1/2" NPT Female Inlets

Product Compliance:

ASME A112.18.1 / CSA B125.1
NSF 61 - Section 9
NSF 372 (Low Lead Content)
2019 DOE PRSV - Class II



T&S BRASS AND BRONZE WORKS, INC.

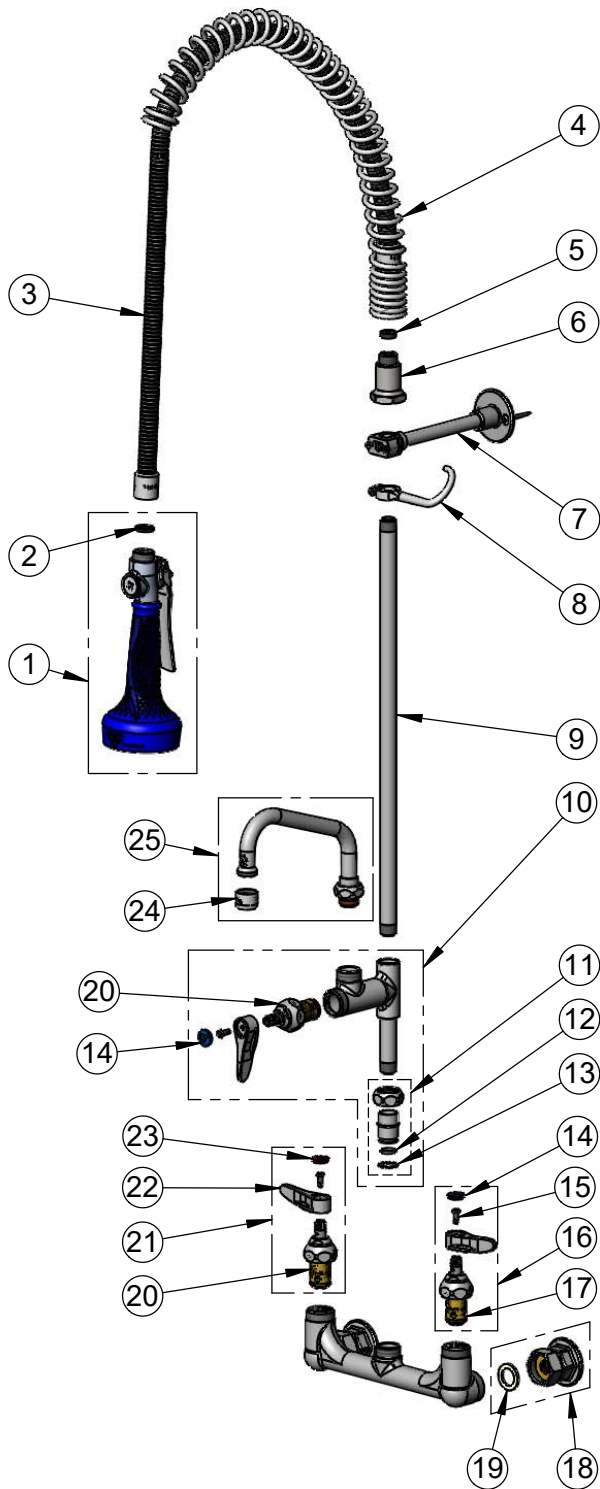
2 Saddleback Cove / P.O. Box 1088
Travelers Rest, SC 29690

Model No.

B-0133-A-08 SERIES

Item No.

Travelers Rest, SC: 800-476-4103 • Simi Valley, CA: 800-423-0150 • Fax: 864-834-3518 • www.tsbrass.com



| ITEM NO. | SALES NO. | DESCRIPTION |
|----------|-------------|---|
| 1 | B-0108 | 1.07 GPM Spray Valve w/ Ergo-Grip |
| 2 | 001014-45 | Washer, B-0100 Hose Barrel |
| 3 | B-0044-H2A | 44" Flexible Stainless Steel Hose, Less Handle |
| 4 | 000888-45 | EasyInstall Overhead Spring |
| 5 | 010476-45 | #27 Washer |
| 6 | 000821-40 | Spring Body |
| 7 | B-0109-01 | 6" Wall Bracket |
| 8 | 004R | Finger Hook |
| 9 | 000369-40 | 3/8" NPT x 18" Riser |
| 10 | B-0155-LNEZ | EasyInstall Add-On Faucet w/ Quarter-Turn Eterna Cartridge, RTC & Lever Handle, Less Nozzle |
| 11 | EZ-K | EasyInstall Kit |
| 12 | 001065-45 | O-Ring |
| 13 | 014200-45 | Star Washer, Anti-Rotation |
| 14 | 018506-19NS | Blue Button Index, Press-in |
| 15 | 000925-45 | Lab Handle Screw |
| 16 | 002711-40NS | Quarter-Turn Eterna Cartridge w/ Spring Check, Handle, Blue Index & Screw, LTC |
| 17 | 012442-40NS | Quarter-Turn Eterna Cartridge w/ Spring Check, LTC |
| 18 | 00AA | 1/2" NPT Female Eccentric Flange |
| 19 | 001019-45 | Coupling Nut Washer |
| 20 | 012443-40NS | Quarter-Turn Eterna Cartridge w/ Spring Check, RTC |
| 21 | 002712-40NS | Quarter-Turn Eterna Cartridge w/ Spring Check, Handle, Red Index & Screw, RTC |
| 22 | 001638-45NS | Lever Handle (New Style) |
| 23 | 001193-19NS | Red Button Index, Press-in |
| 24 | B-PT | Full Flow Stream Regulator, 55/64-27 |
| 25 | See Chart | Swing Nozzle |

Product Specifications:

Pre-Rinse Unit: EasyInstall 8" Wall Mount Mixing Faucet, Quarter-Turn Eterna Cartridges w/ Spring Checks, Lever Handles, Add-On Faucet w/ Swing Nozzle, 44" Flexible Stainless Steel Hose, 1.07 GPM Spray Valve, 18" Riser, 6" Wall Bracket (Optional) & 1/2" NPT Female Inlets

Product Compliance:

ASME A112.18.1 / CSA B125.1
NSF 61 - Section 9
NSF 372 (Low Lead Content)
2019 DOE PRSV - Class II