



T&S BRASS AND BRONZE WORKS, INC.
 2 Saddleback Cove / P.O. Box 1088
 Travelers Rest, SC 29690

Model No.
B-0155-LNEZ

Item No.

Travelers Rest, SC: 800-476-4103 • Simi Valley, CA: 800-423-0150 • Fax: 864-834-3518 • www.tsbrass.com



ADA Compliant

This Space for Architect/Engineer Approval

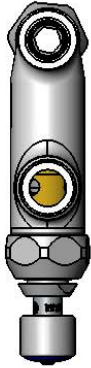
Job Name _____ Date _____

Model Specified _____ Quantity _____

Customer/Wholesaler _____

Contractor _____

Architect/Engineer _____

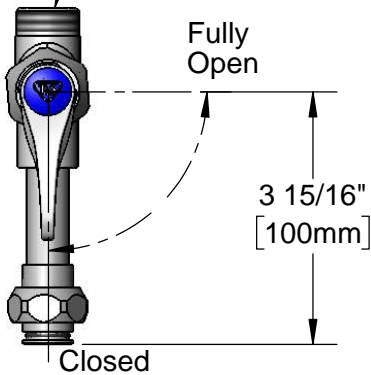


Swivel to Rigid Lock Washer (Included)

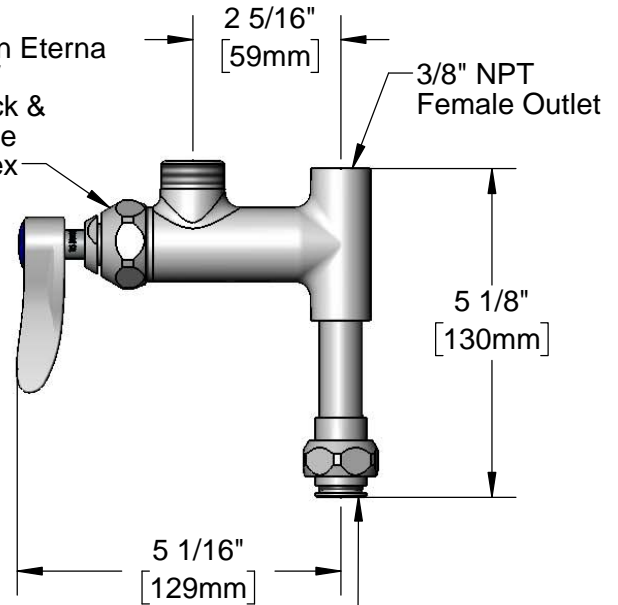
3/8" Hex L-Key to Remove Existing Riser Swivel Piece (Included)



Swivel Outlet Accepts Standard T&S Swing Nozzles



Quarter-Turn Eterna Cartridge w/ Spring Check & Lever Handle w/ Blue Index



Inlet Connection Fits T&S EasyInstall Base Faucets (See Note 3)

Notes:

1. Add-On Faucet is an Addition to Pre-Rinse Units and is Installed in Outlets of Base Mixing Faucets of Units Before Fitting Riser Pipes
2. Lever Handle Controls Water On-Off Thru Nozzle Only. Pressure is Always "On" in Riser Pipe (Controlled by Base Mixing Faucet)
3. Place Lock Washer into Base Faucet Outlet & Lubricate O-Ring Prior to Installing Add-On Faucet

Product Specifications:

Add-On Faucet w/ Quarter-Turn Eterna Cartridge w/ Spring Check, Lever Handle, 3" Nipple (Less Nozzle)

Product Compliance:

ASME A112.18.1 / CSA B125.1
 NSF 61 - Section 9
 NSF 372 (Low Lead Content)
 ANSI A117.1 (ADA)



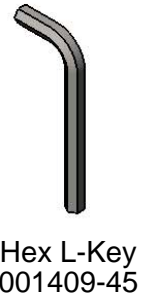
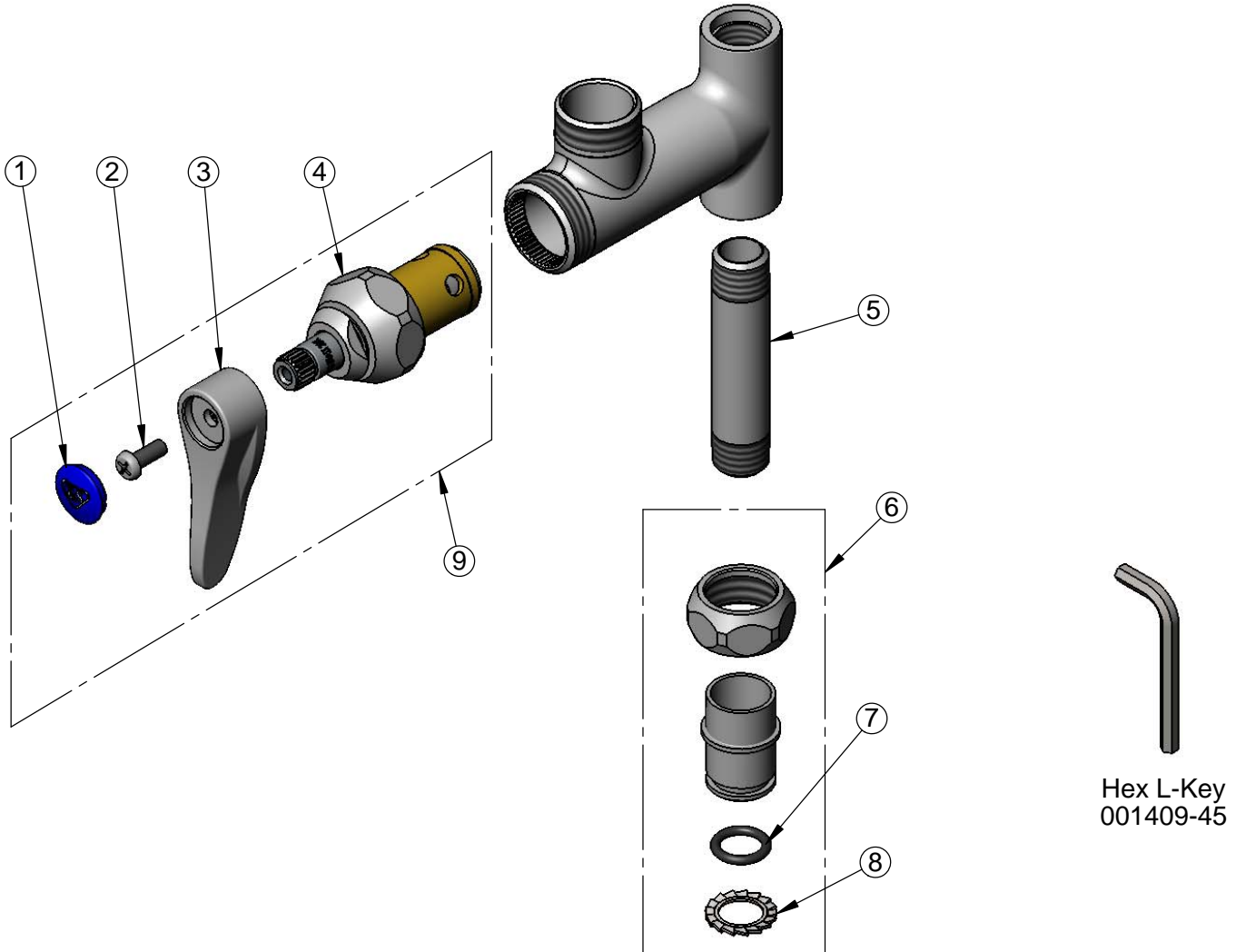
T&S BRASS AND BRONZE WORKS, INC.
 2 Saddleback Cove / P.O. Box 1088
 Travelers Rest, SC 29690

Model No.
B-0155-LNEZ

Item No.

Travelers Rest, SC: 800-476-4103 • Simi Valley, CA: 800-423-0150 • Fax: 864-834-3518 • www.tsbrass.com

ITEM NO.	SALES NO.	DESCRIPTION
1	018506-19NS	Blue Button Index, Press-in
2	000925-45	Lab Handle Screw
3	001638-45NS	Lever Handle (New Style)
4	012443-40NS	Quarter-Turn Eterna Cartridge w/ Spring Check, RTC
5	000358-40	Nipple, 3/8" NPT x 3"
6	EZ-K	EasyInstall Installation Kit
7	001065-45	O-Ring
8	014200-45	Star Washer, Anti-Rotation
9	019639-40	Quarter-Turn Eterna Cartridge RTC w/ Spring Check, Handle, Blue Index & Screw



Product Specifications:
 Add-On Faucet w/ Quarter-Turn Eterna Cartridge w/ Spring Check, Lever Handle, 3" Nipple (Less Nozzle)

Product Compliance:
 ASME A112.18.1 / CSA B125.1
 NSF 61 - Section 9
 NSF 372 (Low Lead Content)
 ANSI A117.1 (ADA)