



T&S BRASS AND BRONZE WORKS, INC.
 2 Saddleback Cove / P.O. Box 1088
 Travelers Rest, SC 29690

Model No.
B-0199-06-N05

Item No.

Travelers Rest, SC: 800-476-4103 • Simi Valley, CA: 800-423-0150 • Fax: 864-834-3518 • www.tsbrass.com

This Space for Architect/Engineer Approval

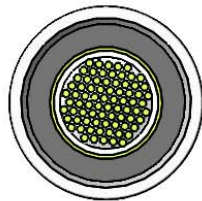
Job Name _____ Date _____

Model Specified _____ Quantity _____

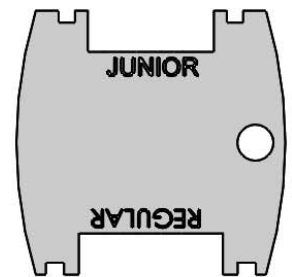
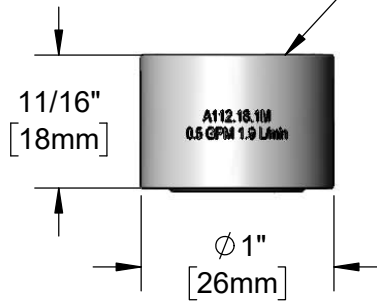
Customer/Wholesaler _____

Contractor _____

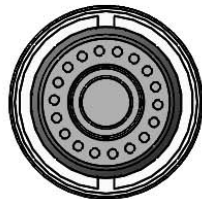
Architect/Engineer _____



VR 0.5 GPM [1.9 L/min] Non-Aerated
 Spray Device w/ 55/64-27 UN Female Thread



015425-45
 Vandal Resistant Key
 (Included)



Product Specifications:
 VR 0.5 GPM [1.9 L/min] Non-Aerated Spray Device
 w/ 55/64-27 UN Female Thread & VR Key

Product Compliance:
 ASME A112.18.1 / CSA B125.1
 NSF 61 - Section 9
 NSF 372 (Low Lead Content)