



# **Glass Door Merchandiser Refrigerator and Freezer**

## **Service, Installation and Care Manual**

**Please read this manual completely before attempting to install or operate this equipment.  
Notify carrier of damage! Inspect all components immediately.**



**IMPORTANT INFORMATION  
READ BEFORE USE  
PLEASE SAVE THESE INSTRUCTIONS!**

## COMMERCIAL REFRIGERATOR SAFETY

**Your safety and the safety of others are very important.**

We have provided many important safety messages in this manual and on your appliance. Always read and obey all safety messages.

**Our product instructions will be uploaded on our company official website.**



This is the Safety Alert Symbol. This symbol alerts you to potential hazards that can kill or injure you and others. All safety messages will follow the Safety Alert Symbol and either the words "DANGER", "WARNING" or "CAUTION".



Danger means that failure to heed this safety statement may result in severe personal injury or death.



Warning means that failure to heed this safety statement may result in extensive product damage, serious personal injury, or death.



Caution means that failure to heed this safety statement may result in minor or moderate personal injury, or property or equipment damage.

All safety messages will alert you to what the potential hazard is, tell you how to reduce the chance of injury, and let you know what can happen if the instructions are not followed.

If the supply cord is damaged, it must be replaced by the manufacturer, its service agent or similarly qualified persons in order to avoid a hazard.

This appliance is not intended for use by persons (including children) with reduced physical, sensory or mental capabilities, or lack of experience and knowledge, unless they have been given supervision or instruction concerning use of the appliance by a person responsible for their safety.

Children should be supervised to ensure that they do not play with the appliance.

This appliance can be used by children aged from 8 years and above and persons with reduced physical sensory or mental capabilities or lack of experience and knowledge if they have been given supervision or instruction concerning use of the appliance in a safe way and understand the hazards involved. Children shall not play with the appliance. Cleaning and user maintenance shall not be made by children without supervision.

Keep the appliance and its cord out of reach of children less than 8 years.

Do not store explosive substances such as aerosol cans with a flammable propellant in this appliance.

The appliance use flammable insulation blowing gas C5H10, disposal of the appliance shall in accordance

with the regulations of local authorities.

The key for appliance electric box should be safe kept by qualified persons in order to avoid a hazard



Warning: Risk of fire / flammable materials

**WARNING:** Keep ventilation openings, in the appliance enclosure or in the built-in structure, clear of obstruction.

**WARNING:** Do not use mechanical devices or other means to accelerate the defrosting process, other than those recommended by the manufacturer.

**WARNING:** Do not damage the refrigerant circuit.

**WARNING:** Do not use electrical appliances inside the food storage compartments of the appliance, unless they are of the type recommended by the manufacturer.

Handling, moving, and use of the refrigerator or freezer to avoid either damaging the refrigerant tubing, or increasing the risk of a leak

L'opération, le mouvement et l'utilisation du réfrigérant ou le congélateur doivent éviter les dommages du tuyau réfrigérant ou le risque de la fuite.

**Caution – Risk of Fire or Explosion due to Flammable Refrigerant Used. Follow Handling Instructions Carefully in Compliance with U.S. Government Regulations.**

Component parts shall be replaced with like components and that servicing shall be done by factory authorized service personnel, so as to minimize the risk of possible ignition due to incorrect parts or improper service.

Les pièces de rechange doivent être remplacées par les composants relatifs et les opérations doivent être faites par les professionnels afin de minimaliser le risque d'allumage à cause des parts incorrects ou des opérations impropres.

**CAUTION – Risk Of Fire Or Explosion Due To Puncture Of Refrigerant Tubing; Follow Handling Instructions Carefully. Flammable Refrigerant Used**

**DANGER:** Risk of child entrapment. Before you throw away your old refrigerator or freezer:

Take off the doors

Leave the shelves in place so that children may not easily climb inside.

**This equipment is not suitable for installation in non-commercial or residential application.**

The optimum performance temperature is a Maximum of an ambient temperature of 85°F. If this appliance is operated at or above 95°F ambient and humidity above 70% the unit will cease to function properly and would not be covered by the warranty.

**CAUTION: If this equipment is operated outside these conditions, maintaining temperature and excessive frost accumulation with the equipment will occur that are not covered by the warranty.**

## CONTENTS

RECEIVING & INSPECTING EQUIPMENT.....	4
SPECIFICATIONS.....	5
INSTALLATION.....	6
OPERATION.....	7
MAINTENANCE.....	9
CIRCUIT DIAGRAM.....	12
STANDARD WARRANTIES.....	27

**All rights reserved. Reproduction without written permission is prohibited.**

## SERIAL NUMBER INFORMATION

The serial number of all self-contained refrigerators and freezers is located inside the unit on the left hand side near the top on the wall.

Always have the serial number of your unit available when calling for parts or service.

This manual covers standard units only. If you have a custom unit, consult the customer service department at the number listed on the last page.

## RECEIVING AND INSPECTING THE EQUIPMENT

Even though most equipment is shipped crated, care should be taken during unloading so the equipment is not damaged while being moved into the building.

1. Visually inspect the exterior of the package and skid or container. Any damage should be noted and reported to the delivering carrier immediately.
2. If damaged, open and inspect the contents with the carrier.
3. In the event that the exterior is not damaged, yet upon opening, there is concealed damage to the equipment, notify the carrier. Notification should be made verbally as well as in written form.
4. Request an inspection by the shipping company of the damaged equipment. This should be done within 10 days from receipt of the equipment.
5. Be certain to check the compressor compartment housing and visually inspect the refrigeration package. Be sure lines are secure and base is still intact.
6. Freight carriers can supply the necessary damage forms upon request.
7. Retain all crating material until an inspection has been made or waived.

# SPECIFICATION

## SWING DOOR REFRIGERATORS

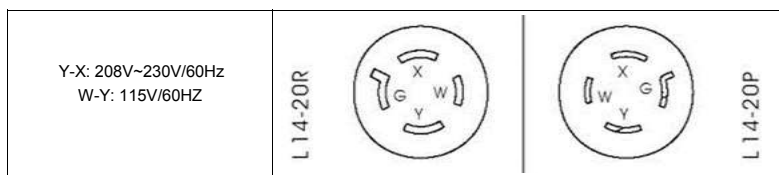
MODEL#	V/Hz/Ph	AMPS	HP	Shelf Size	Max Weight Load per Shelf	Max Weight Load per Model	BTU	CHARGE OZ	SHIP WEIGHT LBS	NEMA PLUG
MGD-1DR-12-HC	115/60/1	3	1/5	19.8 x 18.0	35 lbs	837 lbs	1670	3.0	254	5-15P
MGD-1DR-16-HC	115/60/1	3	1/5	19.8 x 18.0	35 lbs	815 lbs	1670	3.0	282	5-15P
MGD-1DR-23-HC	115/60/1	3	1/5	21.6 x 24.3	53 lbs	776 lbs	1670	3.0	331	5-15P
MGD-1DR-26-HC	115/60/1	3	1/5	23.1 x26.1	60 lbs	765 lbs	1670	3.0	345	5-15P
MGD-2DR-36-HC	115/60/1	4.5	1/4	23.6 x 24.3	40 lbs	712 lbs	2380	3.7	375	5-15P
MGD-2DR-48-HC	115/60/1	4.5	1/4	21.6 x 24.3	57 lbs	610 lbs	2380	3.7	540	5-15P
MGD-3DR-70-HC	115/60/1	7.5	1/2	26.0 x 24.3	62 lbs	967 lbs	3200	5.29	741	5-15P

## SLIDE DOOR REFRIGERATORS

MODEL#	V/Hz/Ph	AMPS	HP	Shelf Size	Max Weight Load per Shelf	Max Weight Load per Model	BTU	CHARGE OZ	SHIP WEIGHT LBS	NEMA PLUG
MGD-2DR-47-HC	115/60/1	4.5	1/4	21.6 x 24.3	57 lbs	610 lbs	2380	3.7	540	5-15P

## SWING DOOR FREEZERS

MODEL#	V/Hz/Ph	AMPS	HP	Shelf Size	Max Weight Load per Shelf	Max Weight Load per Model	BTU	CHARGE OZ	SHIP WEIGHT LBS	NEMA PLUG
MGD-1DF-12-HC	115/60/1	5	1/2	19.8 x 18.0	35 lbs	815 lbs	2000	3.7	258	5-15P
MGD-1DF-16-HC	115/60/1	5	1/2	19.8 x 18.0	35 lbs	809 lbs	2000	3.7	289	5-15P
MGD-1DF-23-HC	115/60/1	8	1/2	21.6 x 24.3	53 lbs	756 lbs	2000	3.88	353	5-15P
MGD-1DF-26-HC	115/60/1	8	1/2	23.1 x26.1	60 lbs	745 lbs	2000	3.88	360	5-15P
MGD-2DF-36-HC	115/60/1	9	1	23.6 x 24.3	40 lbs	690 lbs	3650	5.29	368	5-15P
MGD-2DF-48-HC	115/60/1	9	1	21.6 x 24.3	57 lbs	456 lbs	3650	5.29	567	5-15P
MGD-2DF-48-DV-HC	115/208~230/60/1	6.5	1	21.6 x 24.3	57 lbs	456 lbs	3650	5.29	567	L14-20P
MGD-3DF-70-DV-HC	115/208~230/60/1	9	1-1/4	26.0 x 24.3	62 lbs	881 lbs	4500	5.29	829	L14-20P



## INSTALLATION

### Location

Units represented in this manual are intended for indoor use only. Be sure the location chosen has a floor strong enough to support the total weight of the cabinet and contents. A fully loaded unit can weigh as much as 1500 pounds. Reinforce the floor as necessary to provide for maximum loading. For the most efficient refrigeration, be sure to provide good air circulation inside and out.

### Inside cabinet:

Do not pack refrigerator so full that air cannot circulate. The refrigerated air is discharged at the rear of the unit. It is important to allow for proper air flow from the rear to the bottom of the unit. Obstructions to this air flow can cause evaporator coil freeze ups and loss of temperature or overflow of water from the evaporator drain pan. The shelves have a rear turn up on them to prevent this. However, bags and other items can still be located to the far rear of the cabinet. Air is brought into the evaporator coil with fans mounted to the front of the coil. Prevent obstruction by locating large boxes and tall stacks of product to the bottom of the cabinet.

### Outside cabinet:

Be sure that the unit has access to ample air. Avoid hot corners and locations near stoves and ovens. It is recommended that the unit be installed no closer than 2" from any wall with at least 12" of clear space above the unit. Should it become necessary to lay the unit on its side or back for any reason, allow at least 24 hours before start-up so as to allow compressor oil to flow back to the sump. Failure to meet this requirement can cause compressor failure and unit damage.

Equipment shipped with casters must be installed to promote proper air flow for the operation of the cabinet and to maintain the Health Code for clean ability. Without the installation of the caster will cause a void of warranty and Health Code violations. Be sure that the unit has access to ample air. Avoid hot corners and location near ranges and oven. This equipment works best in a controlled environment, with ambient temperature below 90°F (32°C). It is recommended that the unit be installed no closer than 2" from any wall. This equipment is also supplied with "bumper" that must be installed on the back of the unit. Failure to do so may cause compressor and other vital component failure, and will void the equipment's warranty.

### Leveling

A level cabinet looks better and will perform better because the doors will line up with the frames properly, the cabinet will not be subject to undue strain and the contents of the cabinet will not move around on the shelves. Use a level to make sure the unit is level from front to back and side to side. Units supplied with legs will have adjustable bullet feet to make the necessary adjustments. If the unit is supplied with casters, no adjustments are available. Ensure the floor where the unit is to be located is level.

### Stabilizing

Models are supplied on casters for your convenience, ease of cleaning underneath and for mobility. It is very important, however, that the cabinet be installed in a stable condition with the front wheels locked while in use.



NOTE

**Standard warranties will be voided due to improper installation.**

### Electrical connection

Refer to the amperage data on page 3, the serial tag, your local code or the National Electrical Code to be sure the unit is connected to the proper power source. A protected circuit of the correct voltage and amperage must be run for connection of the line cord, or permanent connection to the unit.



DANGER

**The ON/OFF switch must be turned to OFF and the unit be disconnected from the power source whenever performing service, maintenance functions or cleaning the refrigerated area.**

## OPERATION



CAUTION

**Do not throw items into the storage area. Failure to heed these recommendations could result in damage to the interior of the cabinet.**

### Refrigerated cycle

**Refrigerators:** During the refrigeration cycle, the evaporator fans will run continuously even when one or more doors are open. The door switch will activate the lights when opened.

1. Every 6 hours, the unit will turn off and to allow the evaporator coil to defrost. The controller now displays the defrost symbol. When the coil temperature reaches 41°F or after 20 minutes of defrost, the unit will turn on again.
2. Anti-condensation heaters on door frames work in conjunction with the compressor.
3. The factory setting for the temperature range is 34°F to 38°F.

**Freezers:** During the refrigeration cycle the controller supplies power to the condensing unit and evaporator fan motors. The evaporator fans will run at any time when the evaporator coil temperature is below 54°F, they will also keep running during when door is open but cycle off during a defrost period. The door switch will activate the lights when opened.

1. Every 6 hours, the unit will turn off and electric heater will turn on to start the defrost cycle. The controller now displays the defrost symbol. When the coil temperature reaches 45°F or after 20 minutes of defrost, the unit will turn on again.
2. Anti-condensation heaters on door frames work in conjunction with the compressor.
3. The factory setting for temperature range is -7°F to -3°F

### Light Switch:

A light switch is located next to the on/off switch on the front of the bottom panel.

## SOLID-STATE THERMOSTAT DESCRIPTIONS

**\*Any alteration of the original programming of this control may cause temperature and operation issues that are not covered by warranty.**

### 1. FRONT PANEL COMMANDS

#### 1.1 KEY FUNCTION

**SET:** To display target set point; in programming mode it selects a parameter or confirm an operation.

(DEF) To start a manual defrost

(UP) To see the last temperature alarm happened; in programming mode it browses the parameter codes or increases the display value

(DOWN) To see the last temperature alarm happened; in programming mode it browses the parameter codes or decreases the display value

#### KEY COMBINATION

+ To lock & unlock the keyboard

**SET** + To enter in programming mode

**SET** + To return to the room temperature display

To switch the instrument off.



## 1.2 LED – Report Status

LED	MODE	SIGNIFICATO
	On	Compressor enabled
	Flashing	Anti-short cycle delay enabled (AC parameter)
	On	Defrost in progress
	Flashing	Dripping in progress
	On	Fans output enabled
	Flashing	Fans delay after defrost
	On	Measurement unit
	Flashing	Programming mode
	On	Measurement unit
	Flashing	Programming mode

## 2. MAIN FUNCTIONS

### 2.1 HOW TO SEE THE SETPOINT

- Push and immediately release the **SET** key: the display will show the set point value;
- Push and immediately release the **SET** key or wait for 5 seconds to display the sensor value again.

### 2.2 HOW TO CHANGE THE SETPOINT

- Push the **SET** key for more than 2 seconds to change the set point value;
- The value of the set point will be displayed and the ❄️ LED starts blinking;
- To change the set value push the ▲ or ▼ key within 10s;
- To memory the new set point value and push the SET key again or wait 10s.



### 2.3 HOW TO START A MANUAL DEFFROST

Push the ❄️ key for more than 2 seconds and a manual defrost will start

## OPERATION

### 2.4 HOW TO LOCK THE KEYBOARD

- Press and hold the ▲ and ▼ keys for more than 3s
- The “POF” message will be displayed and the keyboard will be locked. At this point, it will be possible only to see the set point or the MAX or Min temperature stored
- If a key is pressed more than 3s the ”POF” message will be displayed.



### 2.5 HOW TO UNLOCK THE KEYBOARD

Press and hold the ▲ and ▼ keys together for more than 3s, the “Pon” message display

## 3. ALARM SIGNALS

### HOW TO SEE THE ALARM AND RESET THE RECORDED ALARM

- Push the ▲ or ▼ key, the alarm signal will display
- When the signal is displayed, press/hold the **SET** key until the “rst” message is displayed, and push the **SET** key again, the “rst” message start blinking and the normal temperature will display again.

Message	Cause	Outputs
“P1”	Room probe failure	Compressor output according to par. “Con” and “COF”
“P2”	Evaporator probe failure	Defrost end is timed
“HA”	Maximum temperature alarm	Outputs unchanged.
“LA”	Minimum temperature alarm	Outputs unchanged.
“dA”	Door open	Compressor and fans restarts
“EA”	External alarm	Output unchanged.
“CA”	Serious external alarm (i1F=bAL)	All outputs OFF.
“CA”	Pressure switch alarm (i1F=PAL)	All outputs OFF



## MAINTENANCE



DANGER

**The power switch must be OFF and the unit disconnected from the power source whenever performing service, maintenance functions or cleaning the refrigerated area.**

### Refrigerators and Freezers

The interior and exterior can be cleaned using soap and warm water. If this isn't sufficient, try ammonia and water or a nonabrasive liquid cleaner. When cleaning the exterior, always rub with the "grain" of the stainless steel to avoid marring the finish.

Do not use an abrasive cleaner because it will scratch the stainless steel and plastic and can damage the breaker strips and gaskets.

### Cleaning the Condenser Coil

The condenser coil requires regular cleaning, recommended is every 90 days. In some instances, you may find that there is a large amount of debris and dust or grease accumulated prior to the 90 day time frame. In these cases the condenser coil should be cleaned every 30 days.

If the build up on the coil consists of only light dust and debris the condenser coil can be cleaned with a simple brush, heavier dust build up may require a vacuum or even compressed air to blow through the condenser coil.

If heavy grease is present, there are de-greasing agents available for refrigeration use and specifically for the condenser coils. The condenser coil may require a spray with the de-greasing agent and then blown through with compressed air.

Failure to maintain a clean condenser coil can initially cause high temperatures and excessive run times, continuous operation with dirty or clogged condenser coils can result in compressor failures. Neglecting the condenser coil cleaning procedures will void any warranties associated with the compressor or cost to replace the compressor.



DANGER

**Never use a high pressure water wash for this cleaning procedure as water can damage the electrical components located near or at the condenser coil.**

In order to maintain proper refrigeration performance, the condenser fins must be cleaned of dust, dirt and grease regularly. It is recommended that this be done at least every three months. If conditions are such that the condenser is totally blocked in three months, the frequency of cleaning should be increased. Clean the condenser with a vacuum cleaner or stiff brush. If extremely dirty, a commercially available condenser cleaner may be required.

### Stainless Steel Care and Cleaning

To prevent discoloration of rust on stainless steel several important steps need to be taken. First, we need to understand the properties of stainless steel. Stainless steel contains 70-80% iron which will rust. It also contains 12-30% chromium which forms an invisible passive film over the steel's surface which acts as a shield against corrosion. As long as the protective layer is intact, the metal is still stainless. If the film is broken or contaminated, outside elements can begin to breakdown the steel and begin to form rust or discoloration. Proper cleaning of stainless steel requires soft cloths or plastic scouring pads.



DANGER

**NEVER USE STEEL PADS, WIRE BRUSHES OR SCRAPERS!**

## MAINTENANCE

Cleaning solutions need to be alkaline based or non-chloride cleaners. Any cleaner containing chlorides will damage the protective film of the stainless steel. Chlorides are also commonly found in hard water, salts, and household and industrial cleaners. If cleaners containing chlorides are used be sure to rinse repeatedly and dry thoroughly upon completion.

Routine cleaning of stainless steel can be done with soap and water. Extreme stains or grease should be cleaned with a non-abrasive cleaner and plastic scrub pad. It is always good to rub with the grain of the steel. There are also stainless steel cleaners available which can restore and preserve the finish of the steels protective layer.

Early signs of stainless steel breakdown can consist of small pits and cracks. If this has begun, clean thoroughly and start to apply stainless steel cleaners in attempt to restore the passivity of the steel.



CAUTION

**Never use an acid based cleaning solution! Many food products have an acidic content which can deteriorate the finish. Be sure to clean the stainless steel surfaces of ALL food products. Common items include, tomatoes, peppers and other vegetables.**

### Gasket Maintenance

Gaskets require regular cleaning to prevent mold and mildew build up and also to keep the elasticity of the gasket. Gasket cleaning can be done with the use of warm soapy water. Avoid full strength cleaning products on gaskets as this can cause them to become brittle and prevent proper seals. Also, never use sharp tools or knives to scrape or clean the gasket which could possibly tear the gasket and rip the bellows.

Gaskets can easily be replaced and don't require the use of tools or authorized service persons. The gaskets are "Dart" style and can be pulled out of the grove in the door and new gaskets can be "pressed" back into place.

### Doors/Hinges

Over time and with heavy use doors the hinges may become loose. If it is noticed that the door is beginning to sag, it may become necessary to tighten the screws that mount the hinge brackets to the frame of the unit. If the doors are loose or sagging this can cause the hinge to pull out of the frame which may damage both the doors and the door hinges. In some cases this can require qualified service agents or maintenance personnel.

### Drain Maintenance

Each unit has a drain located inside the unit which removes the condensation from the evaporator coil and evaporates it at an external condensate evaporator pan. Each drain can become loose or disconnected from moving or bumping the drain. If you notice excessive water accumulation on the inside of the unit, be sure the drain tube is connected from the evaporator housing to the condensate evaporator drain pan. If water is collected underneath the unit you may want to check the condensate evaporator drain tube to be sure it is still located inside the drain pan. The leveling of the unit is important as the units are designed to drain properly when on a level surface, if your floor is not level this can also cause drain problems. Be sure all drain lines are free of obstructions typically food product is found blocking drain lines causing water to back up and overflow the drain pans.

## MAINTENANCE

### Swing Door Replacement and Adjustment

1. Open the bottom shroud and support the door weight. Loosen bottom hinge's screws and remove the door
2. Prepare new door. Insert door top pin into top hinge. Insert the bottom hinge onto the door's bottom hinge and secure to the frame
3. Allow the door to freely swing, make sure it swings close by itself with no restriction
4. Plug the unit in and make sure the lock is in the right location. Exercise the lock to ensure the cam engagement
5. If not, adjust the door until proper lock cam engagement

### Slide Door Replacement and Adjustment

1. Remove the hook of counterweight on the top of the door
2. Lift the door up until its bottom edge over the channel. Slide it out and down away from the cabinet.
3. Reverse the procedures to install new door

### Remove the bottom shroud

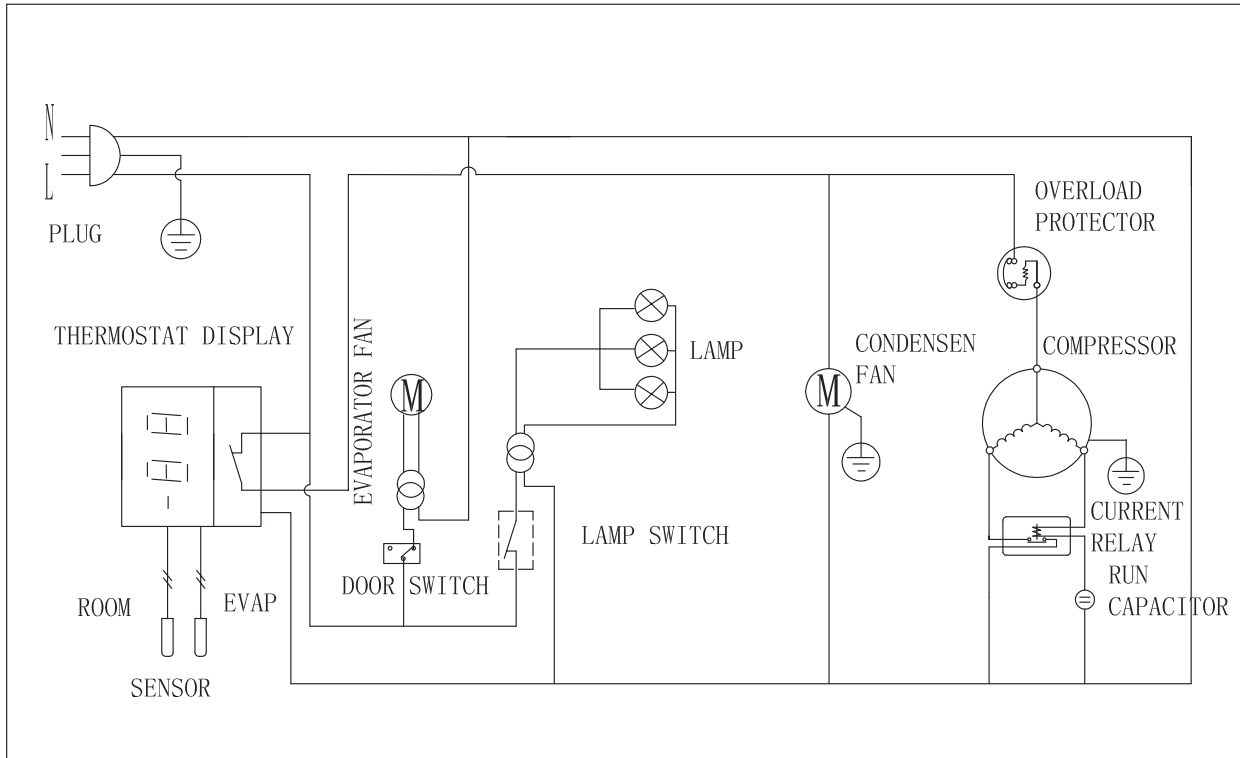
1. Open the door/s.
2. Loosen and remove the top screws
3. Slide the shroud up and out of their keyhole shape slots

### Light Bulb Replacement

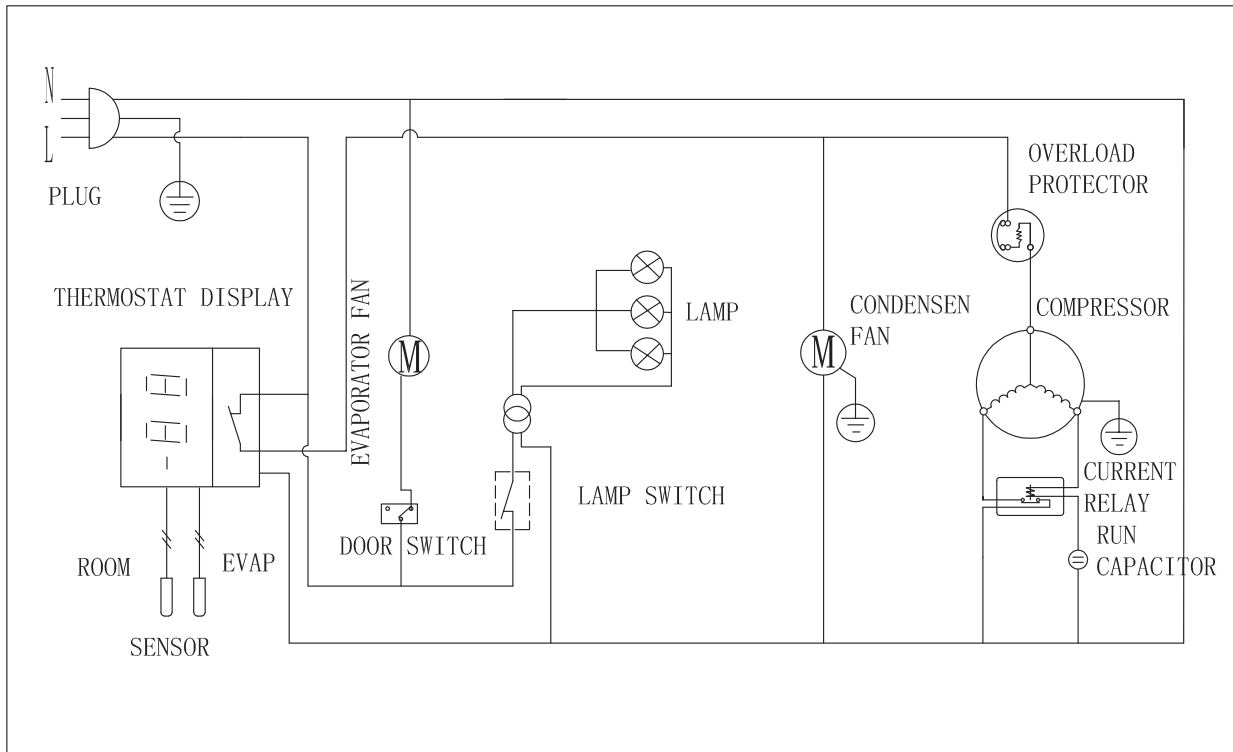
1. Top display light bulb replacement: Loosen the screws in the bottom of top shroud, swing the top shroud up until it is held by the top of the cabinet, now light bulb can be replaced;
2. Interior light bulb replacement: Open door and remove the cover. Twist and remove the bulb.

# CIRCUIT DIAGRAM

MODEL: MGD-1DR-12-HC/MGD-1DR-16-HC/MGD-1DR-23-HC

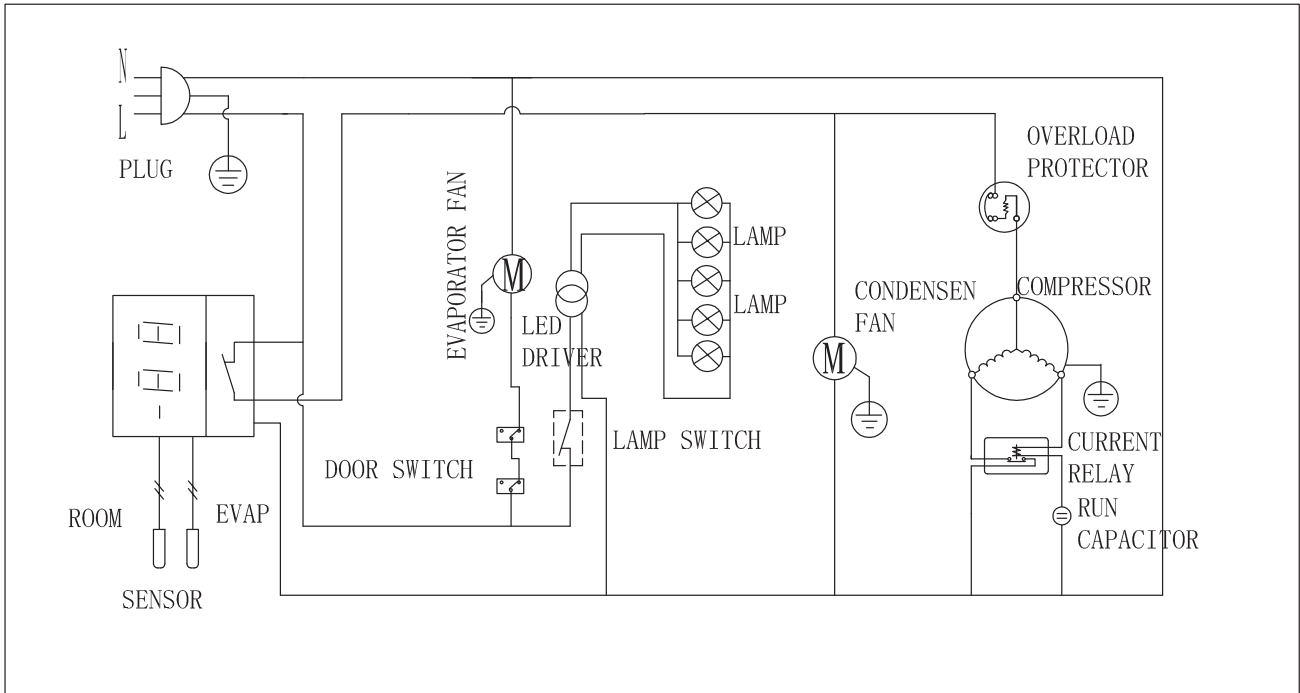


MODEL: MGD-1DR-26-HC

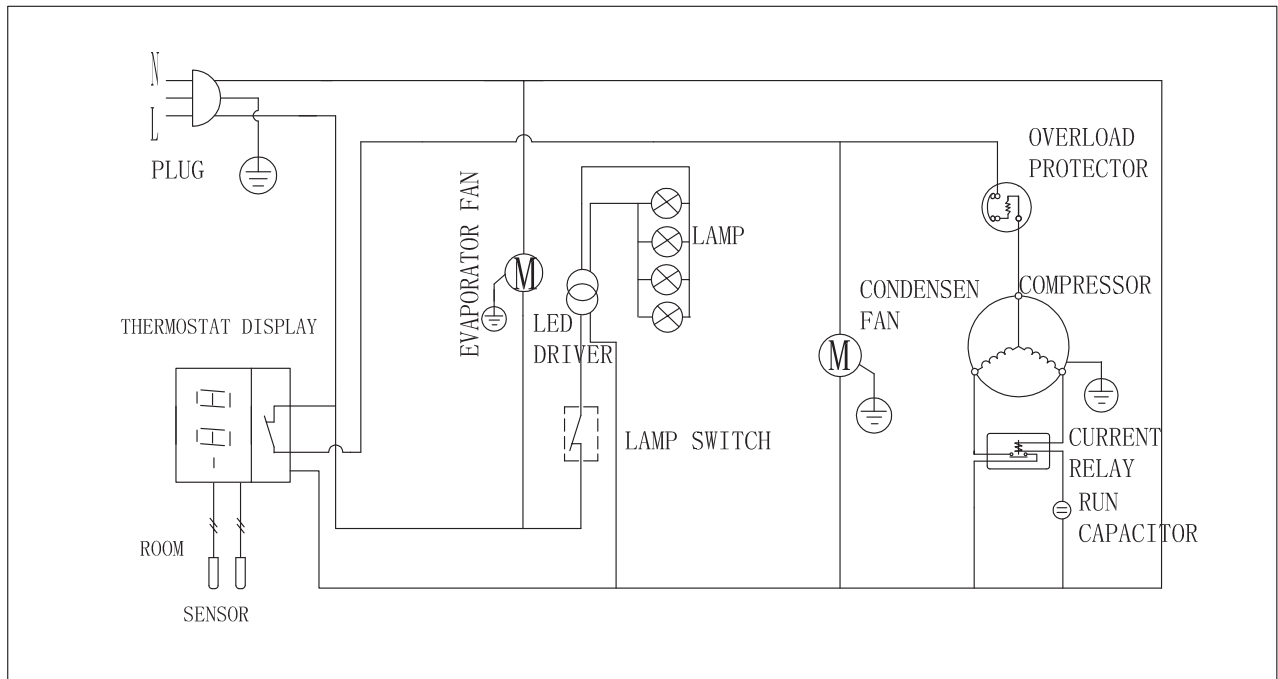


# CIRCUIT DIAGRAM

MODEL: MGD-2DR-36-HC/MGD-2DR-48-HC

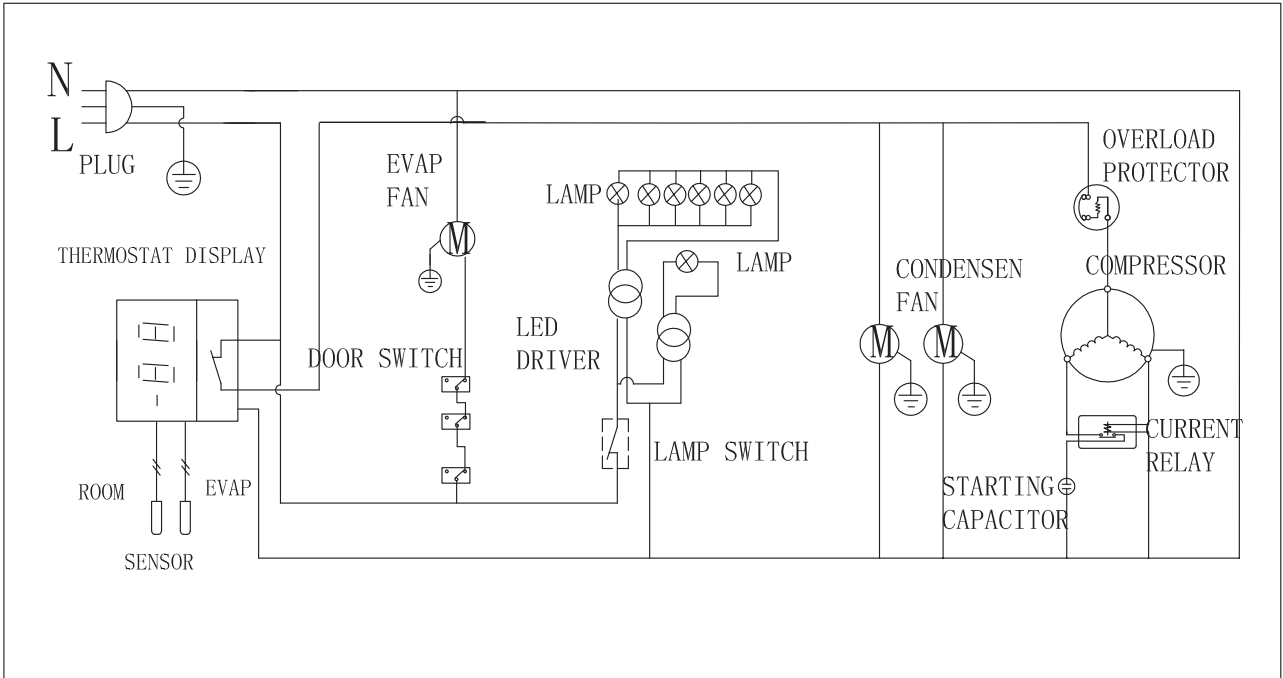


MODEL: MGD-2DR-47-HC

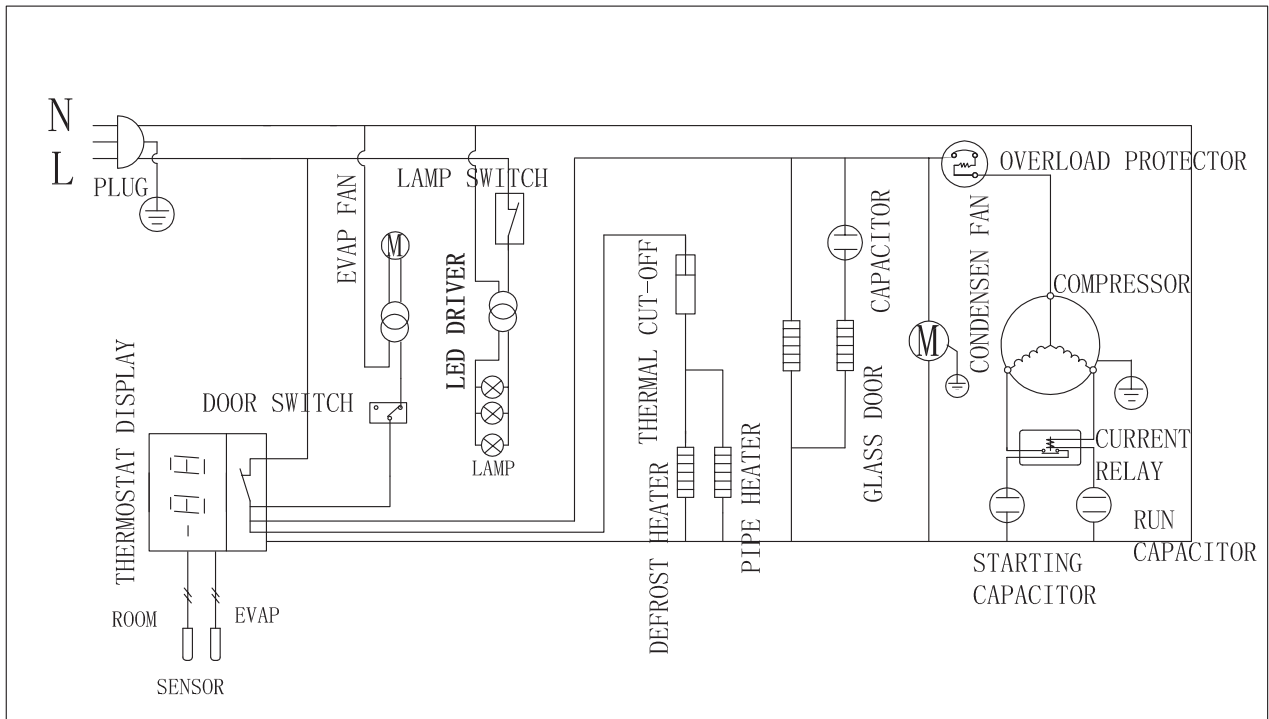


# CIRCUIT DIAGRAM

MODEL: MGD-3DR-70-HC

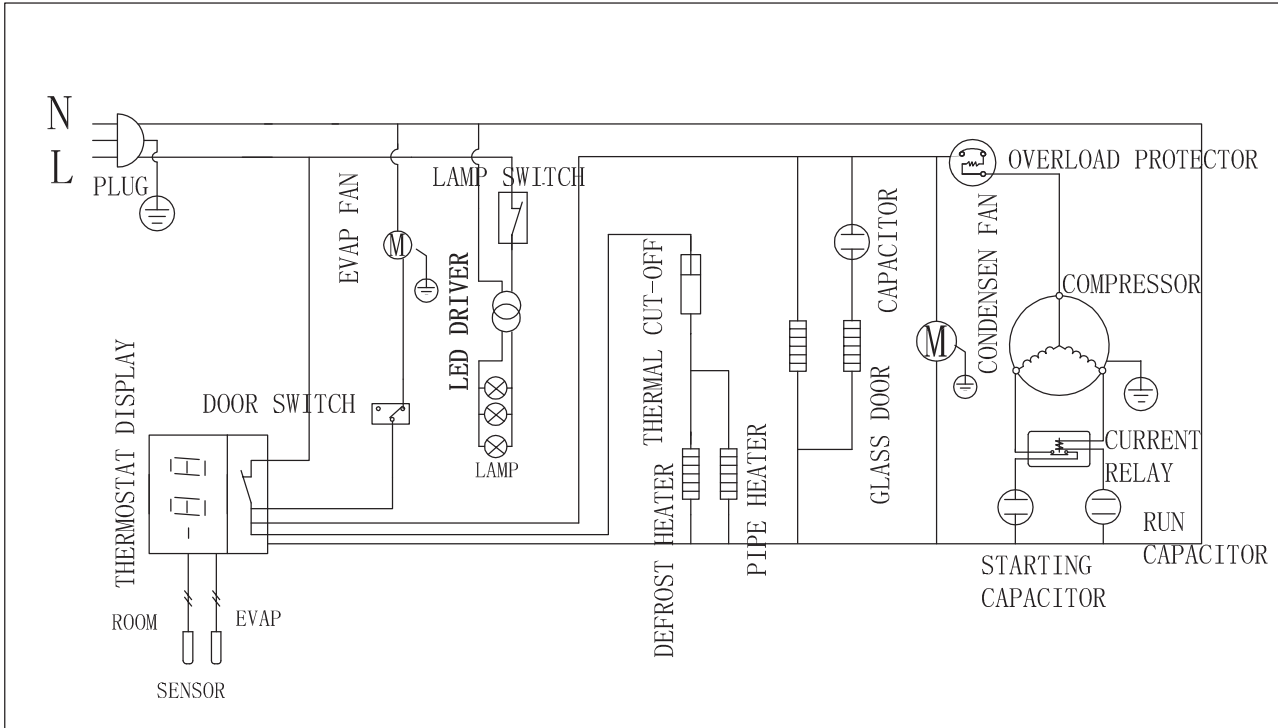


MODEL: MGD-1DF-12-HC/MGD-1DF-16-HC/MGD-1DF-23-HC

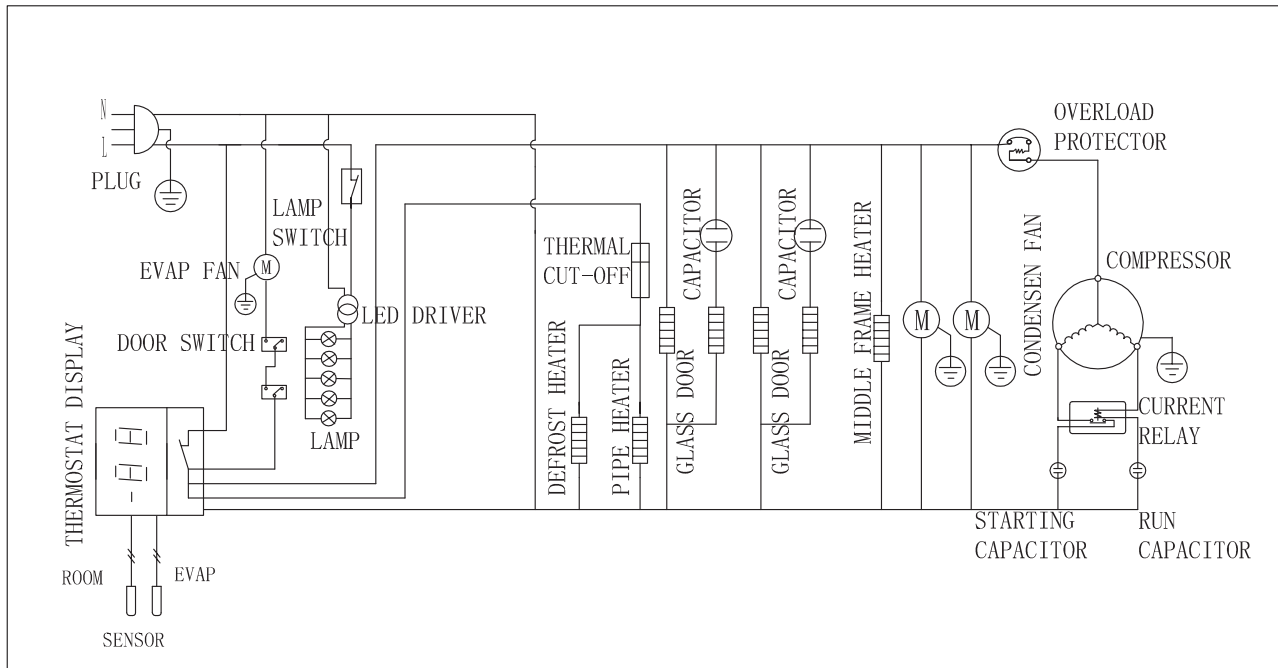


# CIRCUIT DIAGRAM

MODEL: MGD-1DF-26-HC

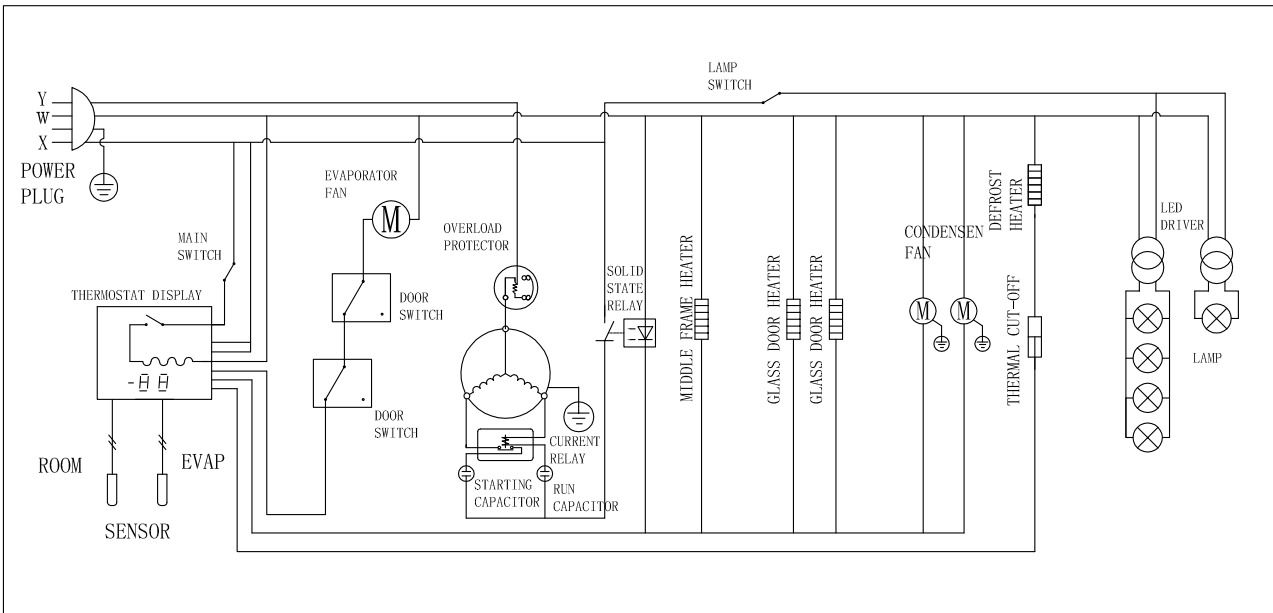


MODEL: MGD-2DF-36-HC / MGD-2DF-48-HC

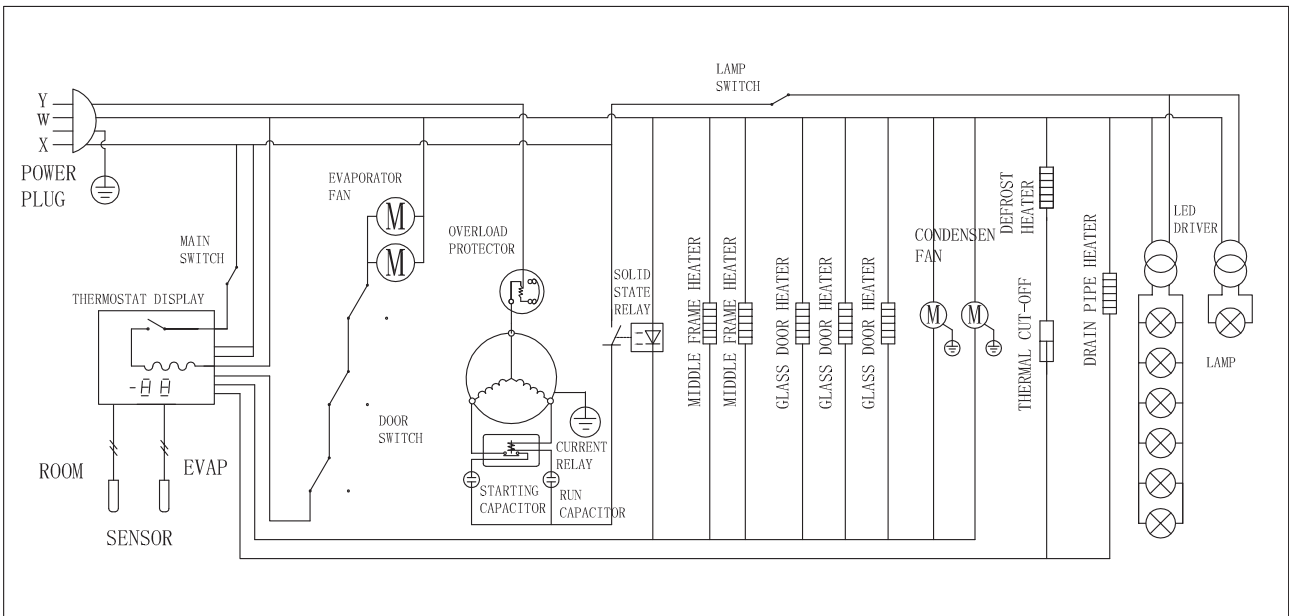


# CIRCUIT DIAGRAM

MODEL: MGD-2DF-48-DV-HC



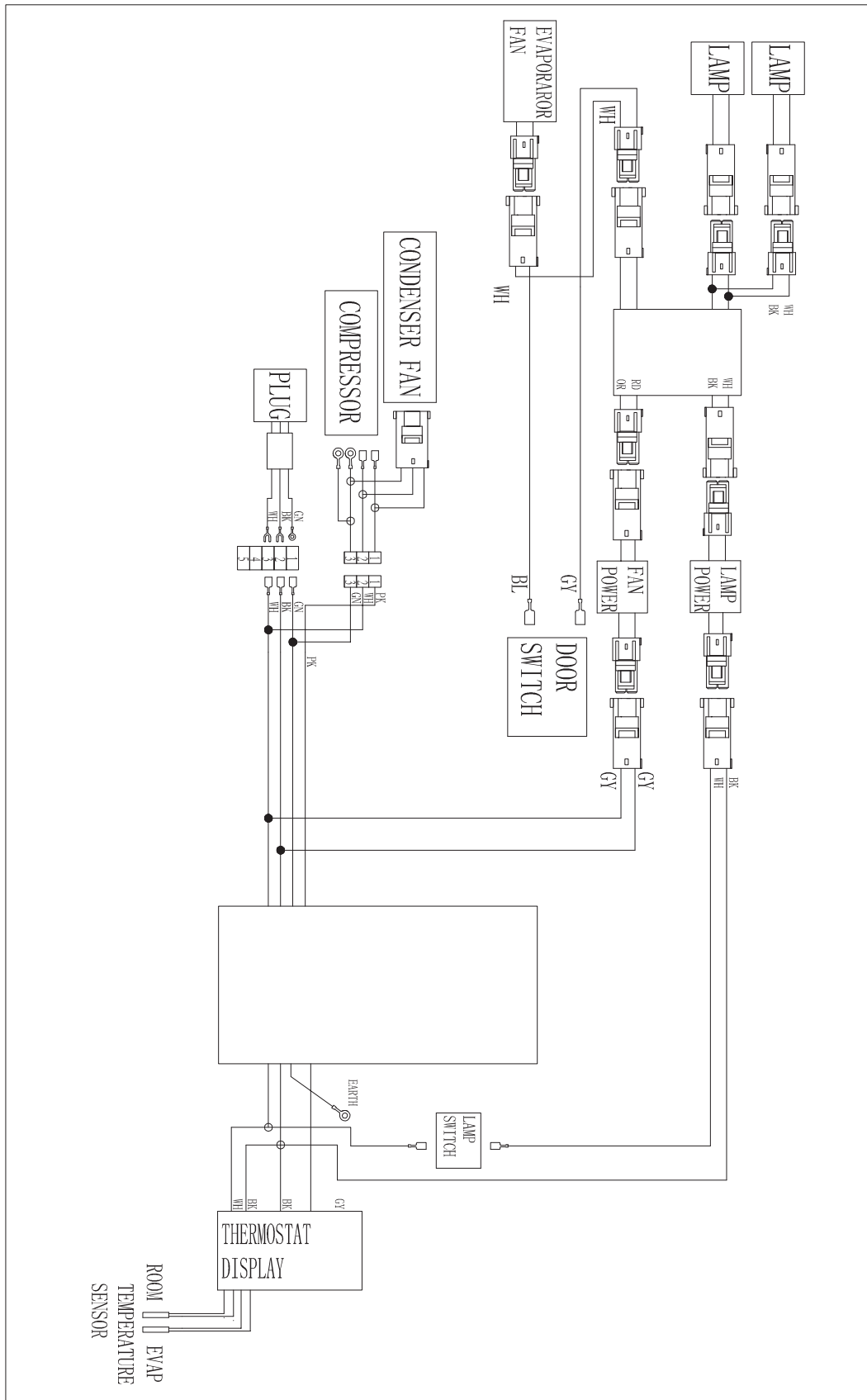
MODEL: MGD-3DF-72-DV-HC





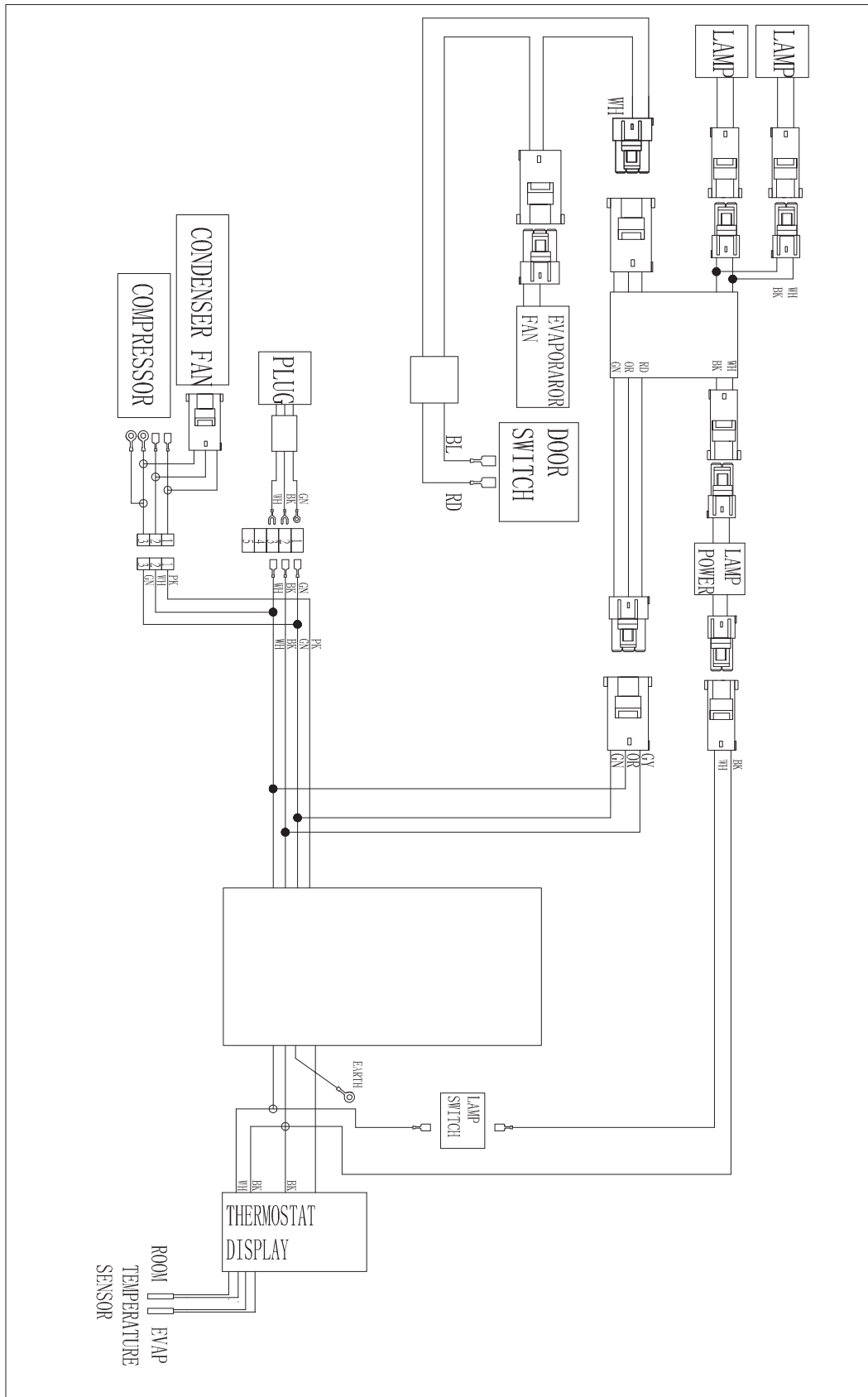
# WIRING DIAGRAM

MODEL:MGD-1DR-12-HC/MGD-1DR-16-HC/MGD-1DR-23-HC



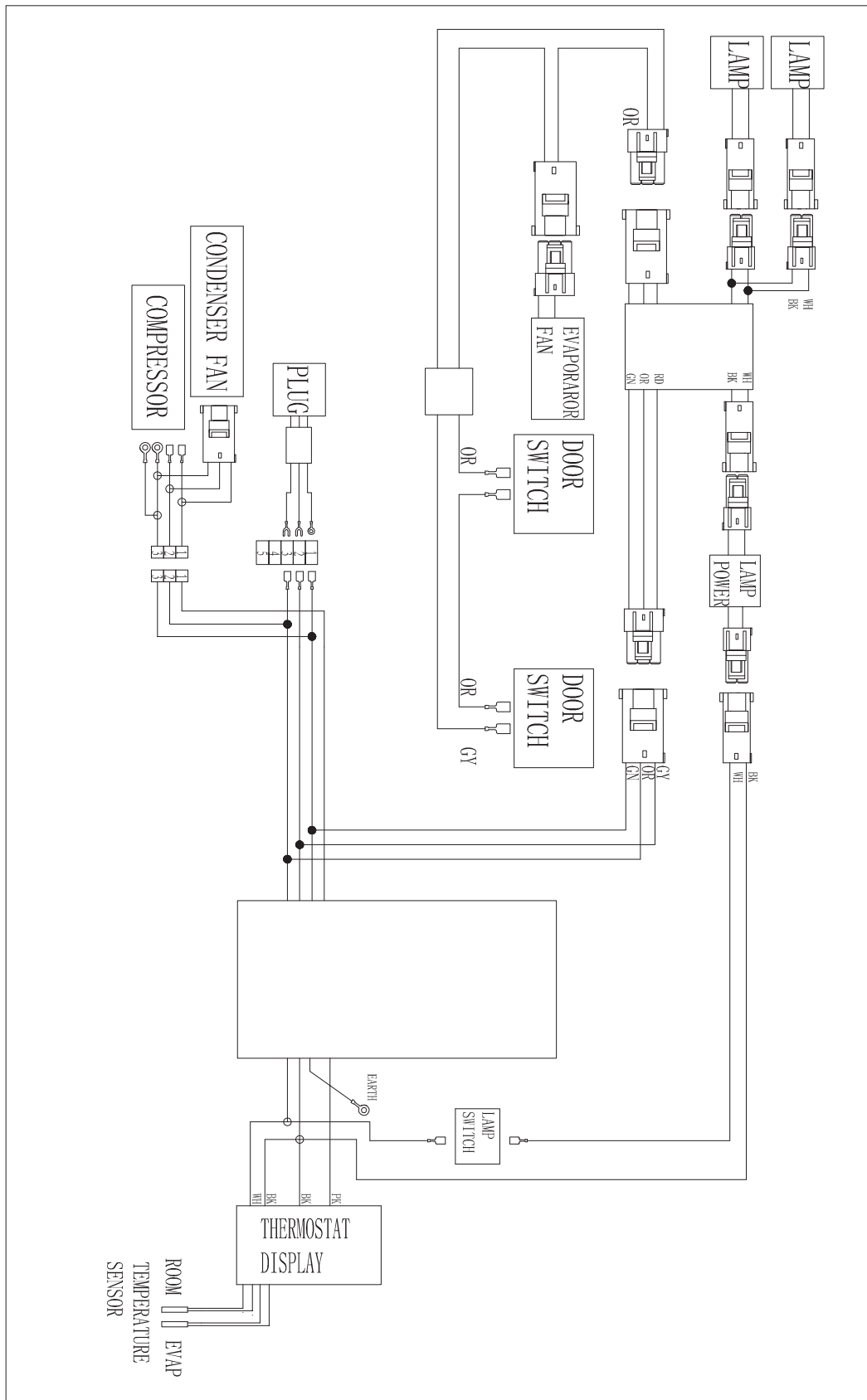
# WIRING DIAGRAM

MODEL: MGD-1DR-26-HC



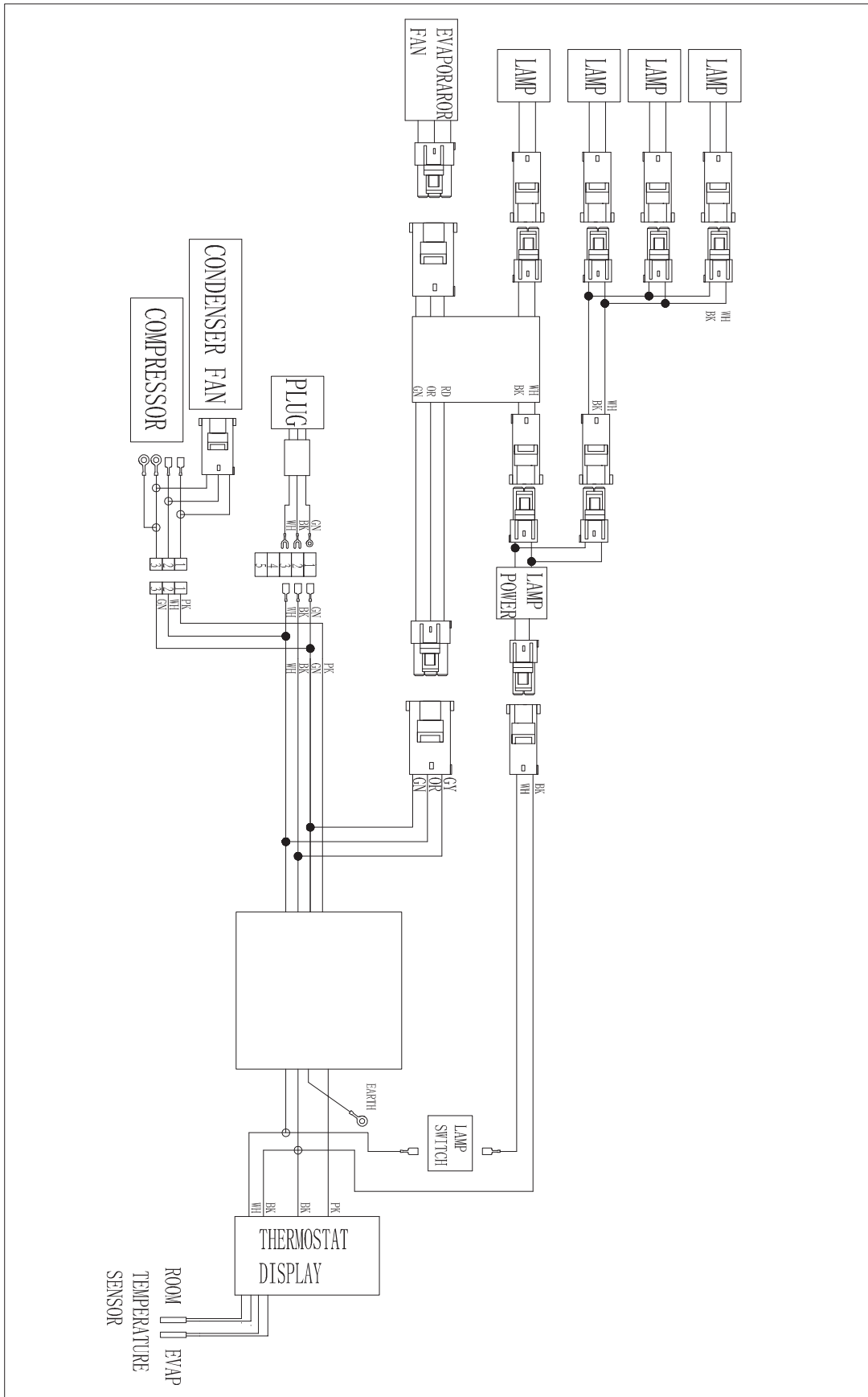
# WIRING DIAGRAM

MODEL: MGD-2DR-36-HC/MGD-2DR-48-HC



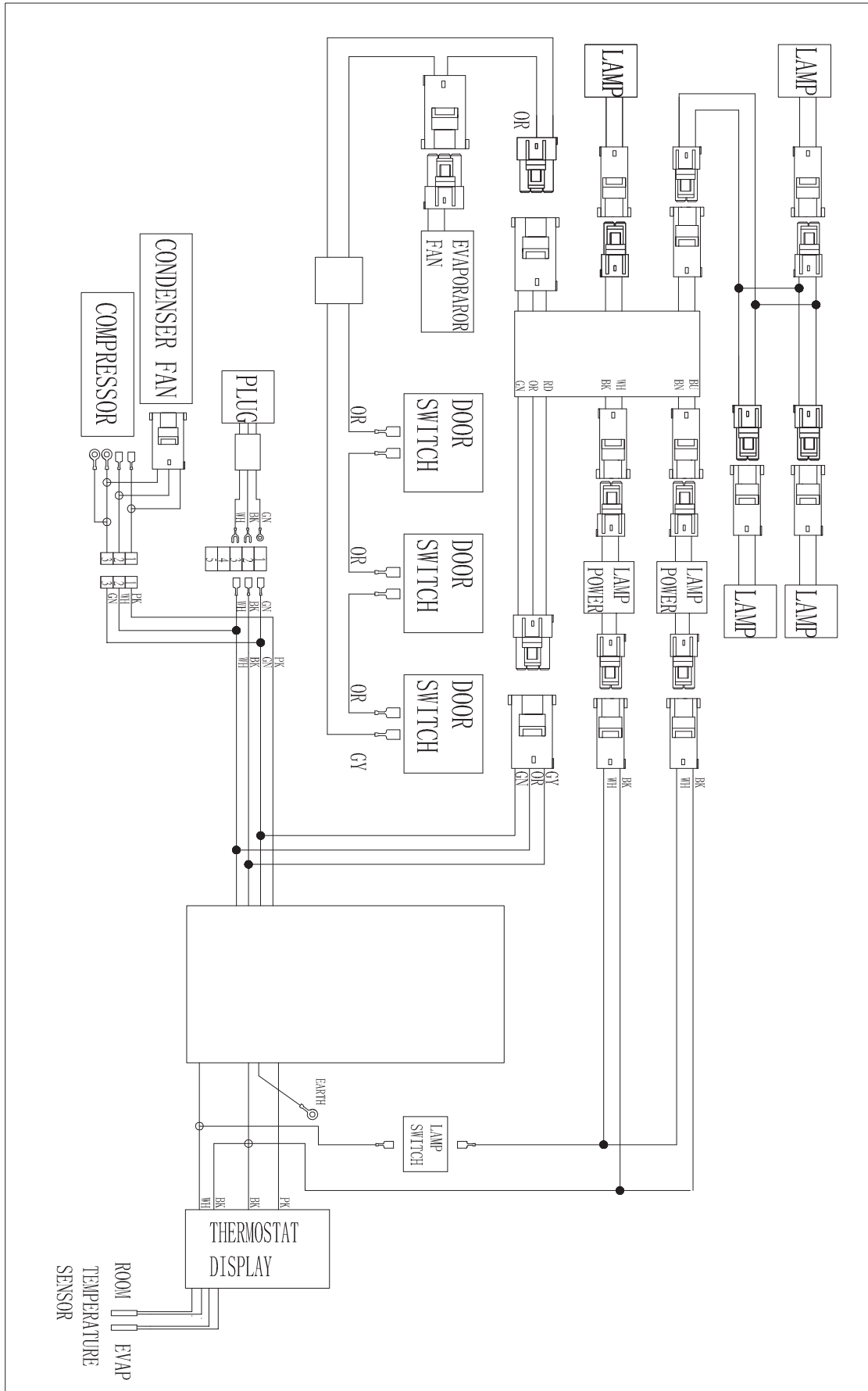
# WIRING DIAGRAM

MODEL:MGD-2DR-47-HC



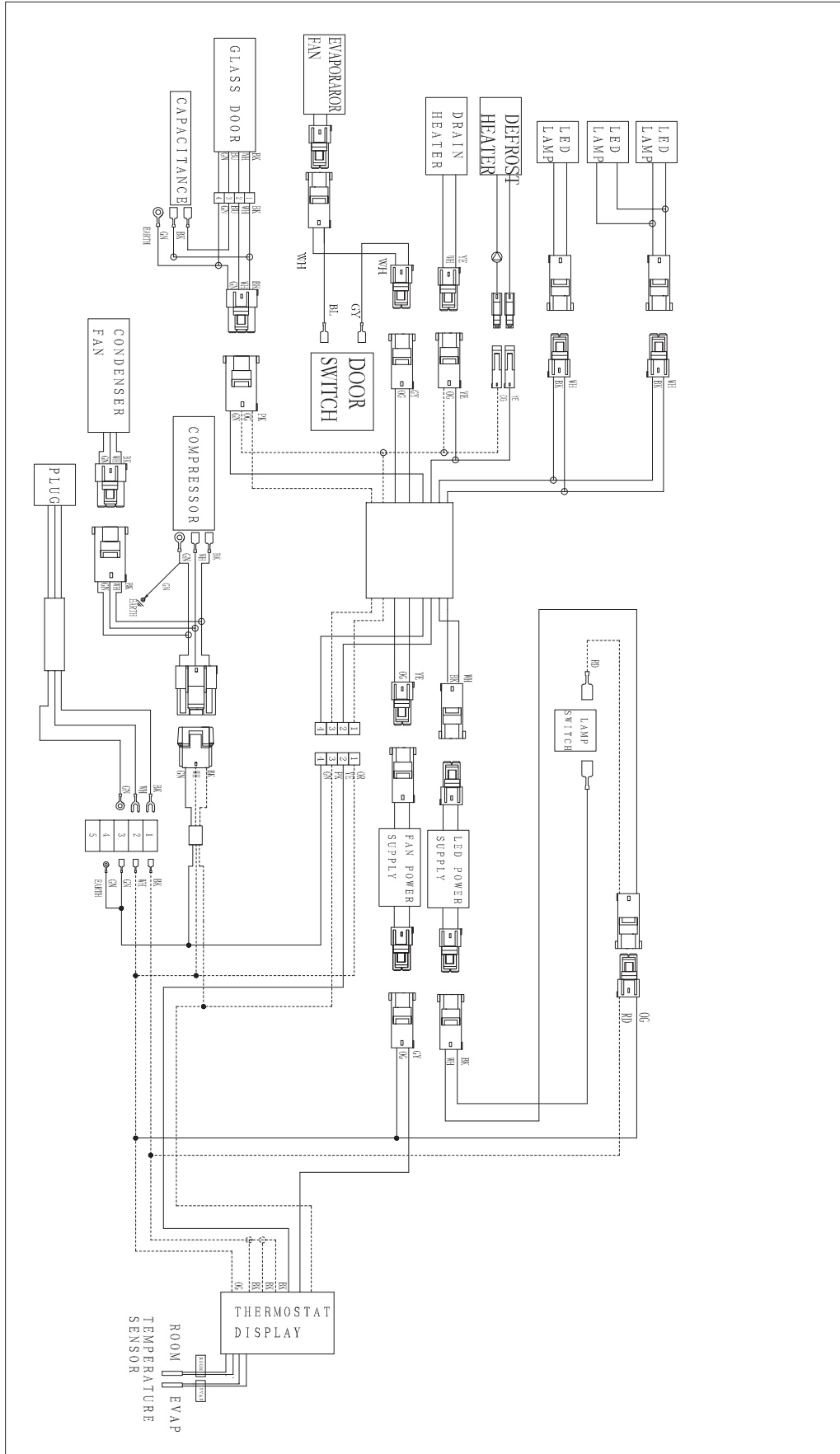
# WIRING DIAGRAM

MODEL: MGD-3DR-70-HC



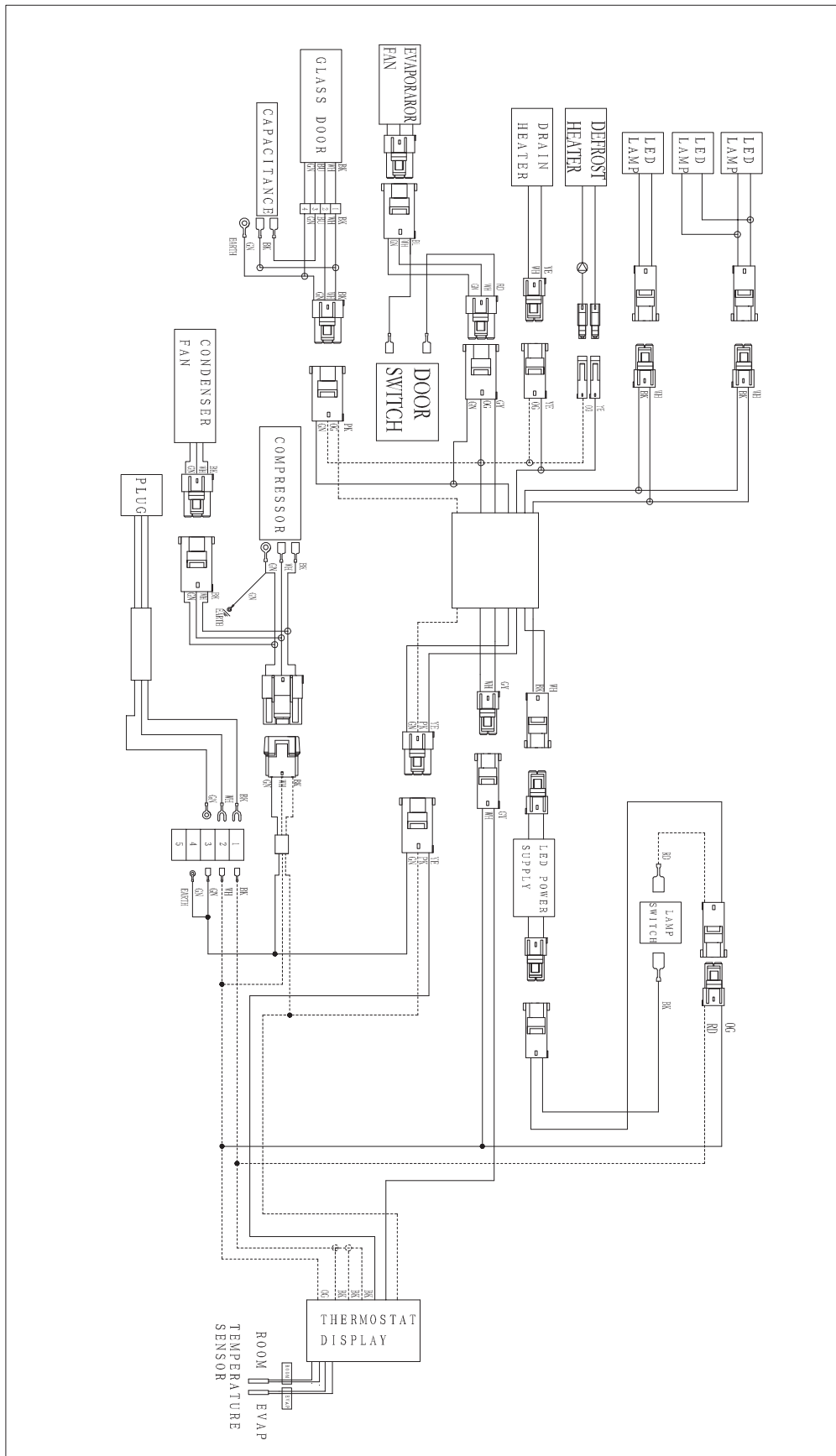
# WIRING DIAGRAM

MODEL:MGD-1DF-12-HC/MGD-1DF-16-HC/MGD-1DF-23-HC



# WIRING DIAGRAM

MODEL:MGD-1DF-26-HC



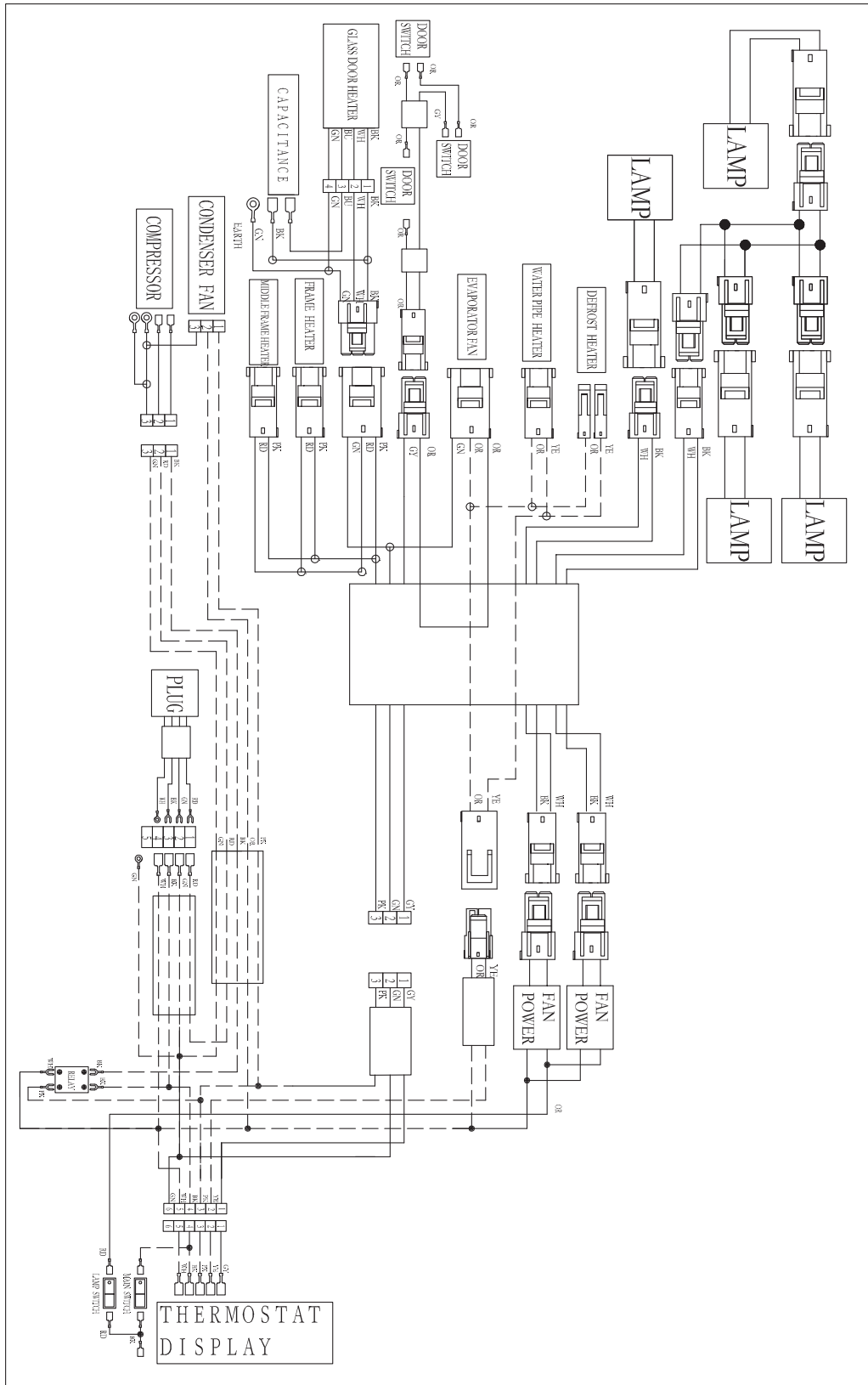




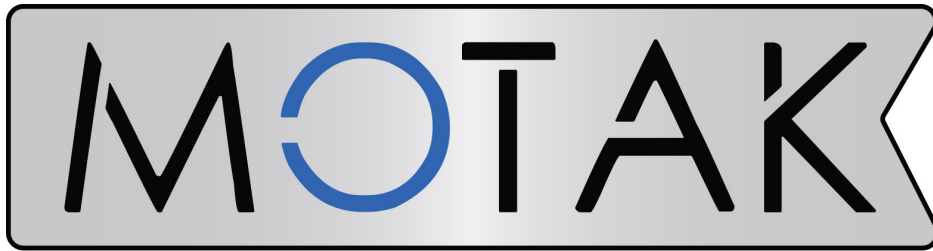


# WIRING DIAGRAM

MODEL: MGD-3DF-72-DV-HC







***Distributed by: KaTom Restaurant Supply, Inc***

***305 Katom Drive***

***Kodak TN 37764***

***Website: [www.katom.com](http://www.katom.com)***

***For Warranty Service Call: 833-474-0637***

