



T&S BRASS AND BRONZE WORKS, INC.

2 Saddleback Cove / P.O. Box 1088
Travelers Rest, SC 29690

Model No.

B-0276

Item No.

Travelers Rest, SC: 800-476-4103 • Simi Valley, CA: 800-423-0150 • Fax: 864-834-3518 • www.tsbrass.com



ADA Compliant

This Space for Architect/Engineer Approval

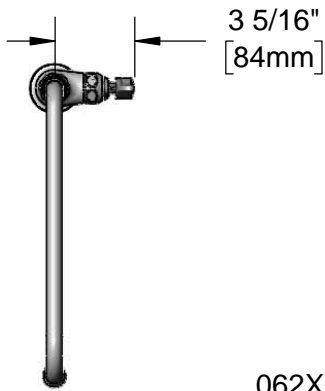
Job Name _____ Date _____

Model Specified _____ Quantity _____

Customer/Wholesaler _____

Contractor _____

Architect/Engineer _____



3 5/16"
[84mm]

062X
12" Swing Nozzle
w/ Stream Regulator Outlet

12"
[305mm]

Rigid to Swivel Body

3/8" NPT x 18" Riser

Quarter-Turn Eterna
Cartridge w/ Spring
Check & Lever Handle
w/ Color Coded Index

2 5/8"
[67mm]

26 1/16"
[662mm]

29 1/4"
[742mm]

Ø2"
[51mm]
Flange

1/2" NPSM Male Inlet

Mounting
Surface

150A
Optional Tailpiece
& Nut For 1/4" NPT
Connection (Included)

1 5/8"
[41mm]
Maximum
Thickness

Rough-In Requirement:
Ø1" [25mm] Mounting Hole

Product Specifications:

Single Hole Single Temperature Deck Mount Faucet, Quarter-Turn Eterna Cartridge w/ Spring Check, Lever Handle, 12" Swing Nozzle, 18" Riser & 1/2" NPSM Male Inlet

Product Compliance:

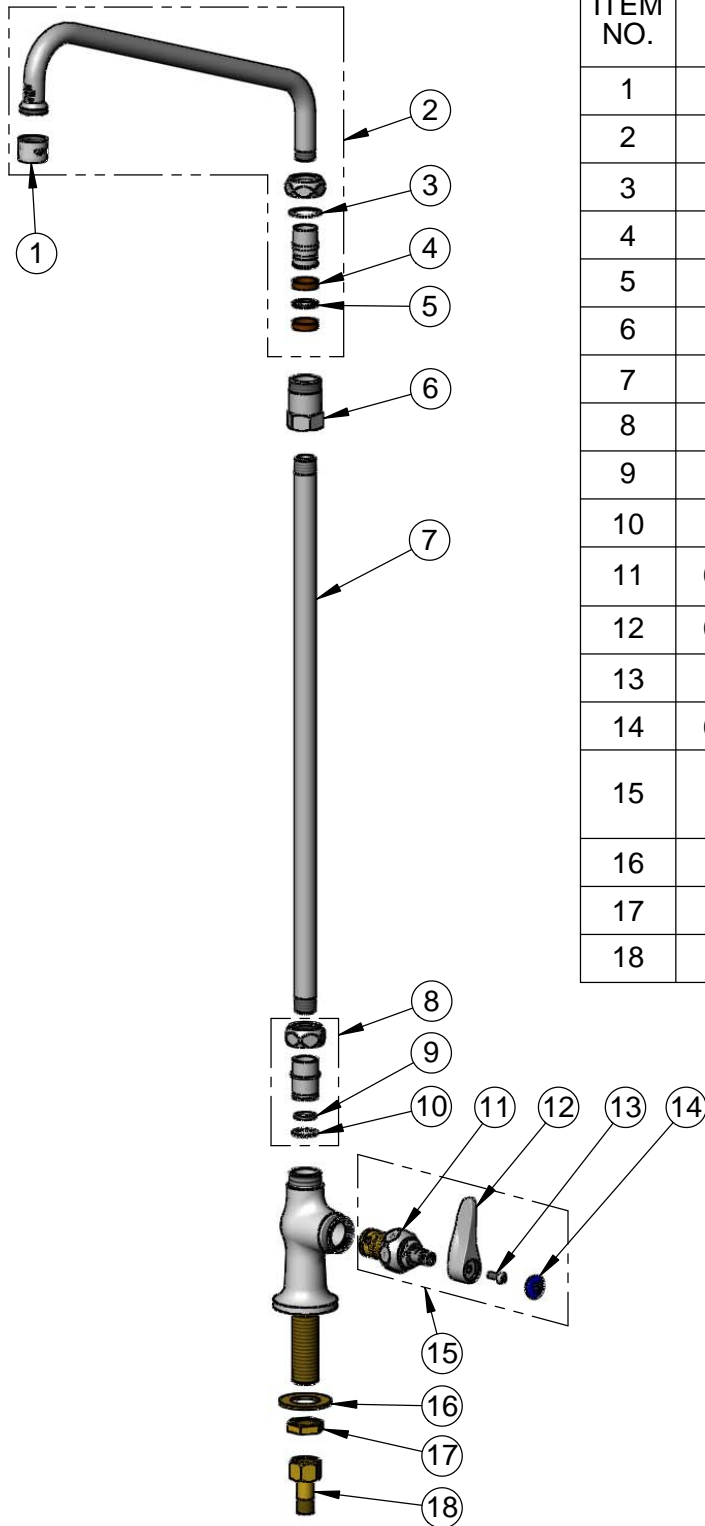
ASME A112.18.1 / CSA B125.1
NSF 61 - Section 9
NSF 372 (Low Lead Content)
ANSI A117.1 (ADA)



T&S BRASS AND BRONZE WORKS, INC.
 2 Saddleback Cove / P.O. Box 1088
 Travelers Rest, SC 29690

Model No.
B-0276
 Item No.

Travelers Rest, SC: 800-476-4103 • Simi Valley, CA: 800-423-0150 • Fax: 864-834-3518 • www.tsbrass.com



| ITEM NO. | SALES NO. | DESCRIPTION |
|----------|-------------|---|
| 1 | B-PT | Full Flow Stream Regulator, 55/64-27 |
| 2 | 062X | 12" Swing Nozzle |
| 3 | 009538-45 | Swivel Washer |
| 4 | 011429-45 | Swivel Sleeves (2) |
| 5 | 001074-45 | O-Ring |
| 6 | 054X | Swivel Body |
| 7 | 000369-40 | 3/8" NPT x 18" Riser |
| 8 | EZ-K | EasyInstall Kit |
| 9 | 001065-45 | O-Ring |
| 10 | 014200-45 | Star Washer, Anti-Rotation |
| 11 | 012443-40NS | Quarter-Turn Eterna Cartridge w/ Spring Check, RTC |
| 12 | 001638-45NS | Lever Handle (New Style) |
| 13 | 000925-45 | Lab Handle Screw |
| 14 | 018506-19NS | Blue Button Index, Press-in |
| 15 | 019639-40 | Quarter-Turn Eterna Cartridge RTC w/ Spring Check, Handle, Blue Index & Screw |
| 16 | 000999-45 | Brass Lock Washer |
| 17 | 002954-45 | Shank Lock Nut |
| 18 | 150A | 1/4" NPT Tailpiece & Nut |

Product Specifications:

Single Hole Single Temperature Deck Mount Faucet, Quarter-Turn Eterna Cartridge w/ Spring Check, Lever Handle, 12" Swing Nozzle, 18" Riser & 1/2" NPSM Male Inlet

Product Compliance:

ASME A112.18.1 / CSA B125.1
 NSF 61 - Section 9
 NSF 372 (Low Lead Content)
 ANSI A117.1 (ADA)