



# T&S BRASS AND BRONZE WORKS, INC.

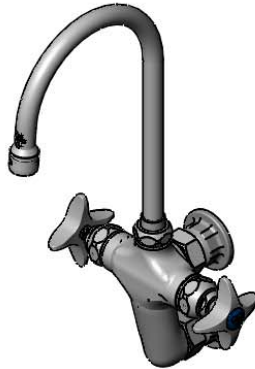
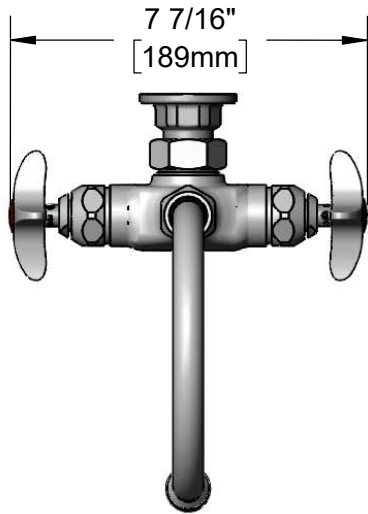
2 Saddleback Cove / P.O. Box 1088  
Travelers Rest, SC 29690

Model No.

**B-0316**

Item No.

Travelers Rest, SC: 800-476-4103 • Simi Valley, CA: 800-423-0150 • Fax: 864-834-3518 • www.tsbrass.com



This Space for Architect/Engineer Approval

Job Name \_\_\_\_\_ Date \_\_\_\_\_

Model Specified \_\_\_\_\_ Quantity \_\_\_\_\_

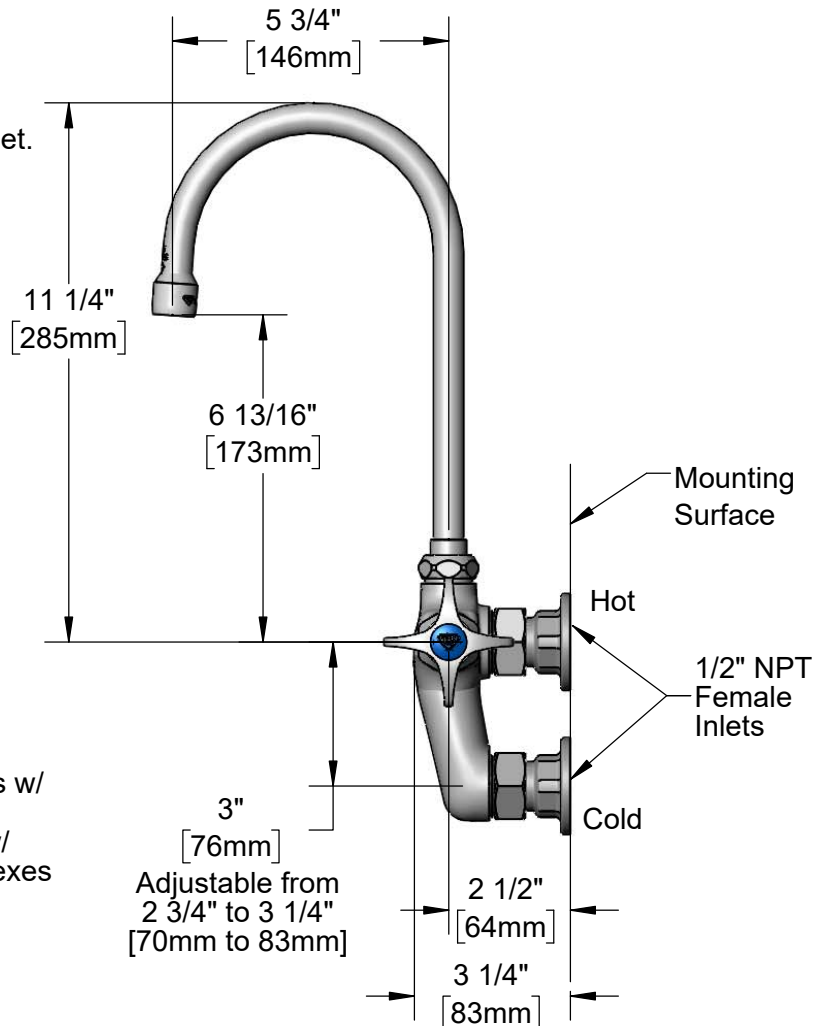
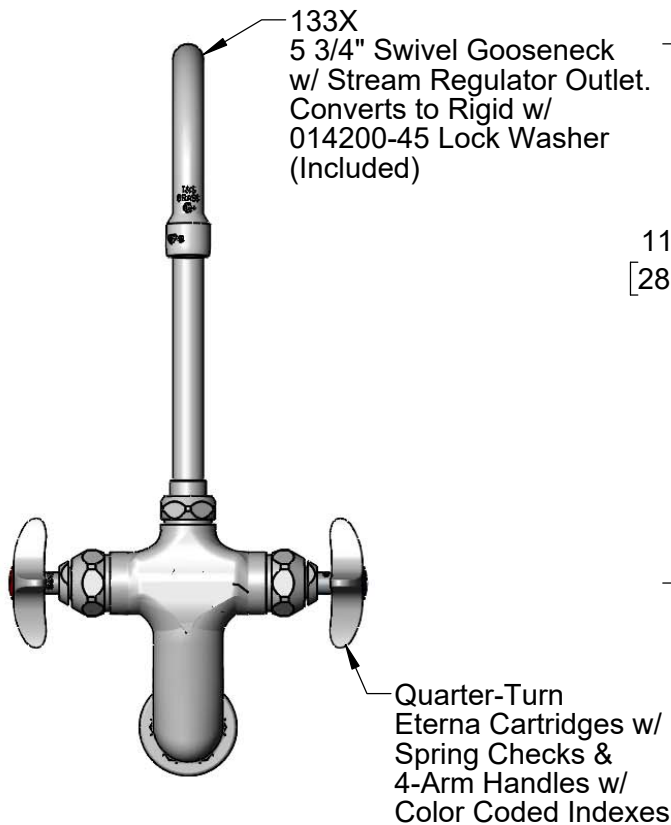
Customer/Wholesaler \_\_\_\_\_

Contractor \_\_\_\_\_

Architect/Engineer \_\_\_\_\_



**ADA Compliant**



**Product Specifications:**

Wall Mount Vertical Mixing Faucet, 5 3/4" Swivel Gooseneck w/ Stream Regulator Outlet, 4-Arm Handles and 1/2" NPT Female Inlets

**Product Compliance:**

ASME A112.18.1 / CSA B125.1  
NSF 61 - Section 9  
NSF 372 (Low Lead Content)  
ANSI A117.1 (ADA)

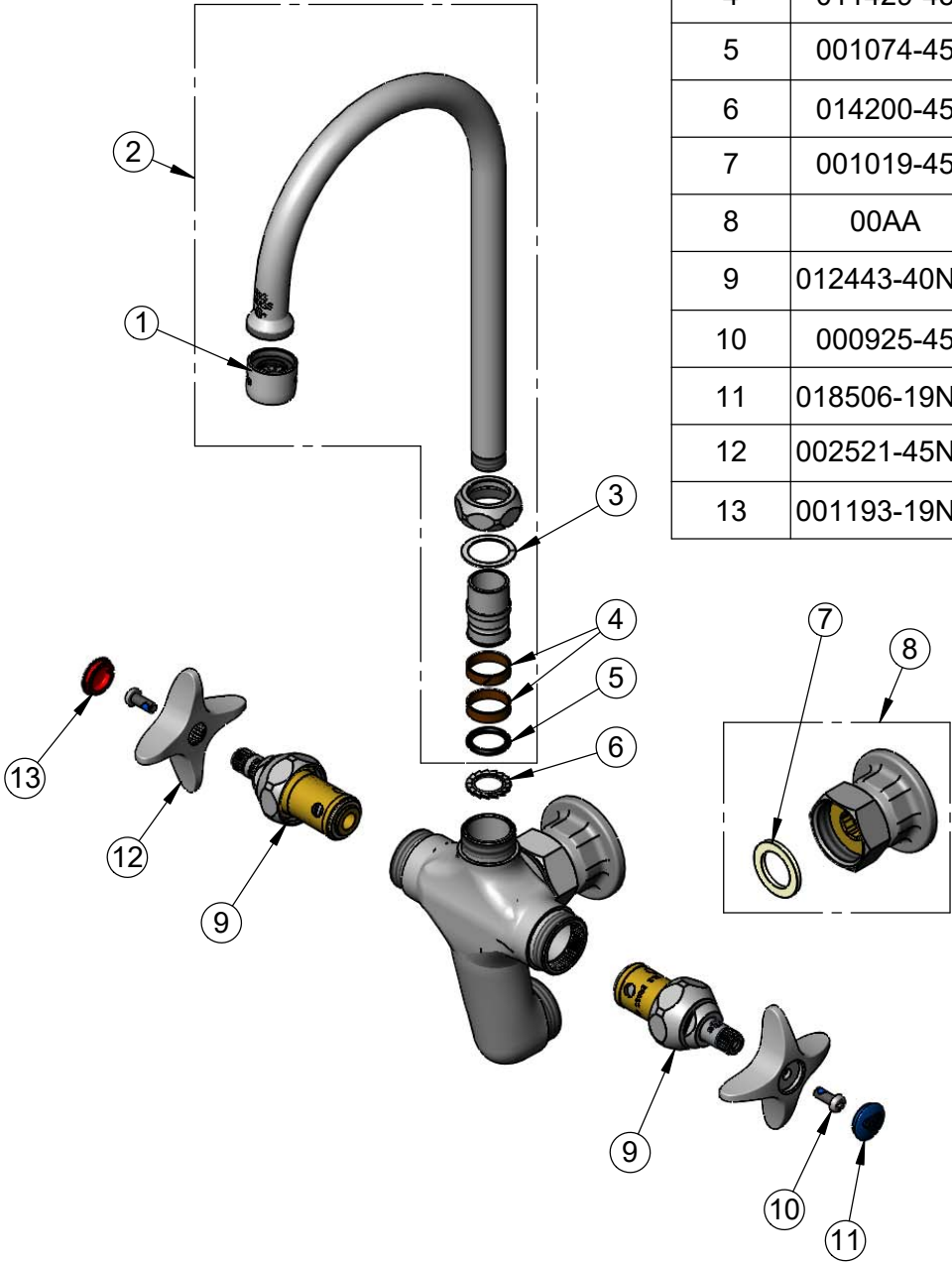


**T&S BRASS AND BRONZE WORKS, INC.**  
 2 Saddleback Cove / P.O. Box 1088  
 Travelers Rest, SC 29690

Model No.  
**B-0316**  
 Item No.

Travelers Rest, SC: 800-476-4103 • Simi Valley, CA: 800-423-0150 • Fax: 864-834-3518 • www.tsbrass.com

ITEM NO.	SALES NO.	DESCRIPTION
1	B-PT	Full Flow Stream Regulator, 55/64-27
2	133X	5 3/4" Swivel Gooseneck w/ Stream Regulator Outlet
3	009538-45	Swivel Washer
4	011429-45	Swivel Sleeves (2)
5	001074-45	O-Ring
6	014200-45	Star Washer, Anti-Rotation
7	001019-45	Coupling Nut Washer
8	00AA	1/2" NPT Female Eccentric Flange
9	012443-40NS	Quarter-Turn Eterna Cartridge w/ Spring Check, RTC
10	000925-45	Lab Handle Screw
11	018506-19NS	Blue Button Index, Press-in
12	002521-45NS	4-Arm Handle (New Style)
13	001193-19NS	Red Button Index, Press-in



**Product Specifications:**  
 Wall Mount Vertical Mixing Faucet, 5 3/4" Swivel Gooseneck w/ Stream Regulator Outlet, 4-Arm Handles and 1/2" NPT Female Inlets

**Product Compliance:**  
 ASME A112.18.1 / CSA B125.1  
 NSF 61 - Section 9  
 NSF 372 (Low Lead Content)  
 ANSI A117.1 (ADA)