



**T&S BRASS AND BRONZE WORKS, INC.**  
 2 Saddleback Cove / P.O. Box 1088  
 Travelers Rest, SC 29690

Model No.  
**B-0674-BSTR**

Item No.

Travelers Rest, SC: 800-476-4103 • Simi Valley, CA: 800-423-0150 • Fax: 864-834-3518 • www.tsbrass.com



**ADA Compliant**

This Space for Architect/Engineer Approval

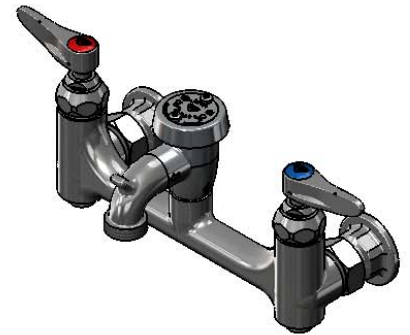
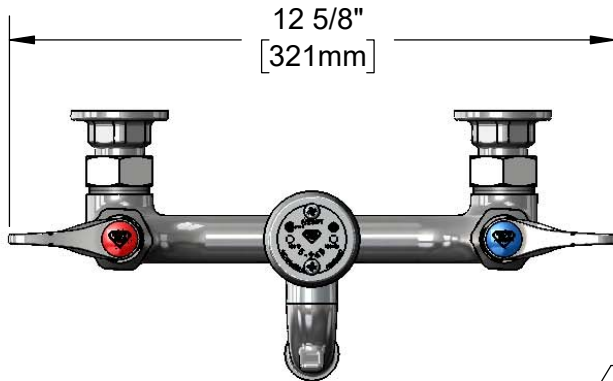
Job Name \_\_\_\_\_ Date \_\_\_\_\_

Model Specified \_\_\_\_\_ Quantity \_\_\_\_\_

Customer/Wholesaler \_\_\_\_\_

Contractor \_\_\_\_\_

Architect/Engineer \_\_\_\_\_



B-0969  
 1/2" NPT Vacuum  
 Breaker

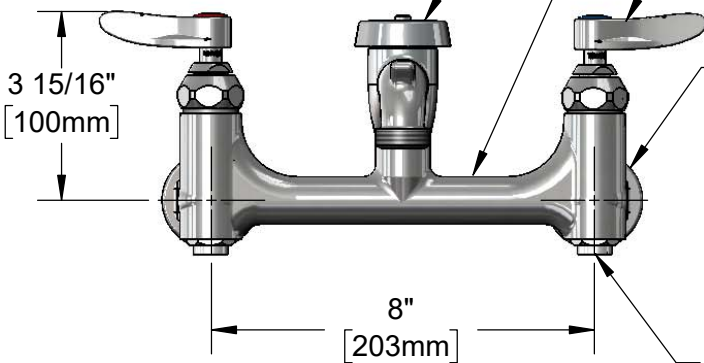
Rough Chrome  
 Finish on Faucet  
 Body & Spout

Pail Hook Spout  
 w/ Garden Hose  
 Male Outlet

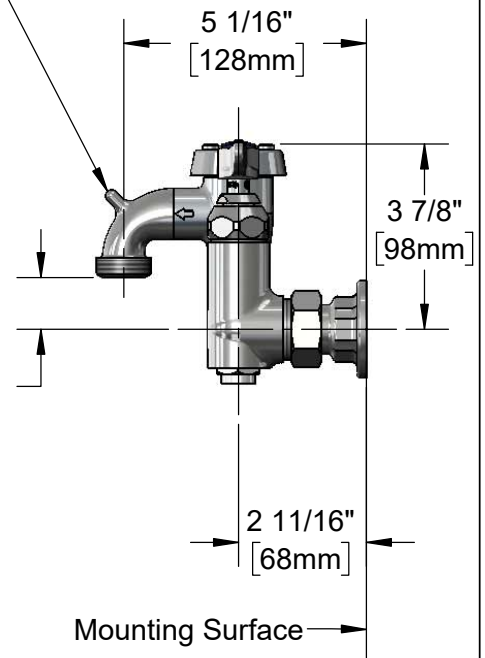
Quarter-Turn  
 Eterna Cartridges w/  
 Spring Checks &  
 Lever Handles w/  
 Color Coded Indexes

Ø 2" [51mm]  
 Flanges w/  
 1/2" NPT  
 Female Inlets

Built-In Service  
 Stops



Adjustable From  
 7 3/4" to 8 1/4"  
 [197mm to 210mm]



**Product Specifications:**

8" Wall Mount Service Sink Faucet, Quarter-Turn Eterna Cartridges w/ Spring Checks, Lever Handles, Pail Hook Spout w/ Garden Hose Male Outlet, Rough Chrome Finish & 1/2" NPT Female Inlets

**Product Compliance:**

ASME A112.18.1 / CSA B125.1  
 NSF 61 - Section 9  
 NSF 372 (Low Lead Content)  
 ANSI A117.1 (ADA)  
 ASSE 1001 (VB)



# T&S BRASS AND BRONZE WORKS, INC.

2 Saddleback Cove / P.O. Box 1088  
Travelers Rest, SC 29690

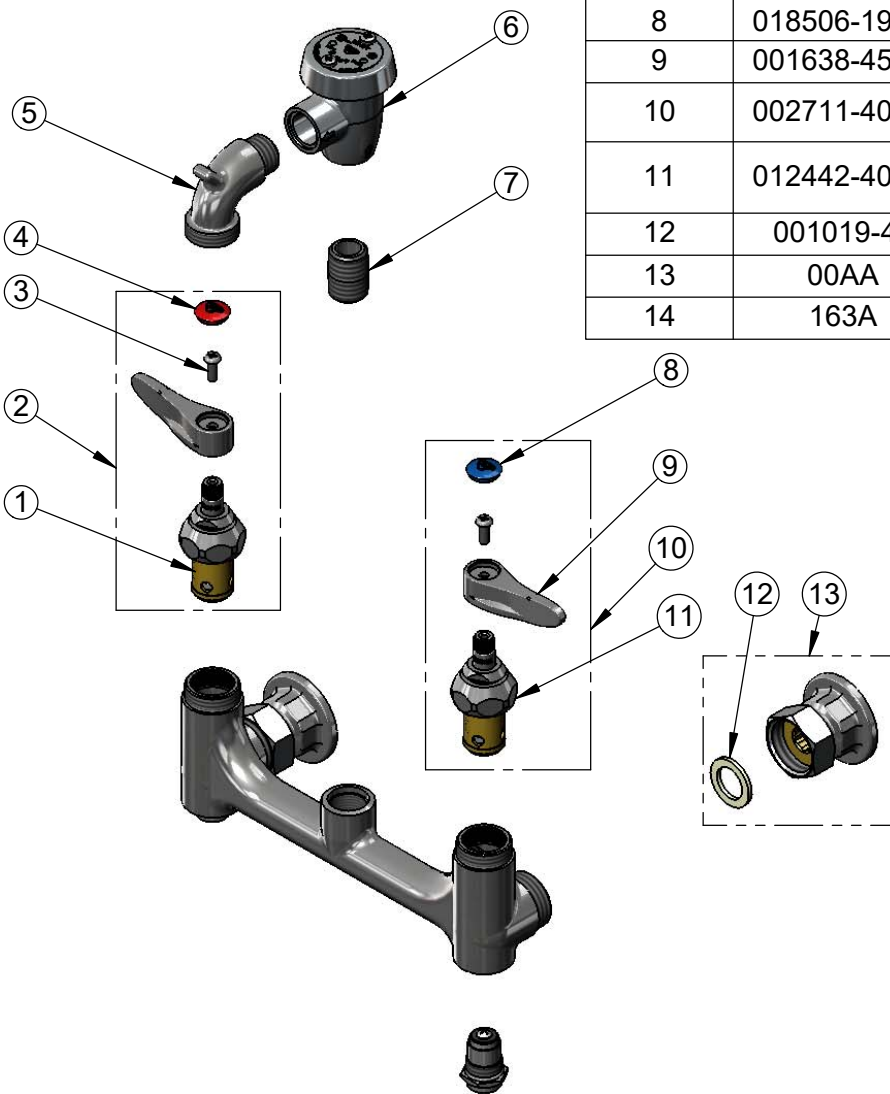
Model No.

**B-0674-BSTR**

Item No.

Travelers Rest, SC: 800-476-4103 • Simi Valley, CA: 800-423-0150 • Fax: 864-834-3518 • www.tsbrass.com

ITEM NO.	SALES NO.	DESCRIPTION
1	012443-40NS	Quarter-Turn Eterna Cartridge - RTC w/ Spring Check
2	002712-40NS	Quarter-Turn Eterna Cartridge, RTC w/ Spring Check, Handle, Index & Screw
3	000925-45	Lab Handle Screw
4	001193-19NS	Red Button Index, Press-in
5	000270-25	Spout w/ Garden Hose Male Outlet
6	B-0969	1/2" NPT Vacuum Breaker
7	002534-25	Close Nipple, 1/2" NPT
8	018506-19NS	Blue Button Index, Press-in
9	001638-45NS	Lever Handle (New Style)
10	002711-40NS	Quarter-Turn Eterna Cartridge, LTC w/ Spring Check, Handle, Index & Screw
11	012442-40NS	Quarter-Turn Eterna Cartridge - LTC w/ Spring Check
12	001019-45	Coupling Nut Washer
13	00AA	1/2" NPT Female Eccentric Flange
14	163A	Built-in Service Stop



**Product Specifications:**

8" Wall Mount Service Sink Faucet, Quarter-Turn Eterna Cartridges w/ Spring Checks, Lever Handles, Pail Hook Spout w/ Garden Hose Male Outlet, Rough Chrome Finish & 1/2" NPT Female Inlets

**Product Compliance:**

ASME A112.18.1 / CSA B125.1  
NSF 61 - Section 9  
NSF 372 (Low Lead Content)  
ANSI A117.1 (ADA)  
ASSE 1001 (VB)