



T&S BRASS AND BRONZE WORKS, INC.
 2 Saddleback Cove / P.O. Box 1088
 Travelers Rest, SC 29690

Model No.
B-2277-CR
 Item No.

Travelers Rest, SC: 800-476-4103 • Simi Valley, CA: 800-423-0150 • Fax: 864-834-3518 • www.tsbrass.com

This Space for Architect/Engineer Approval

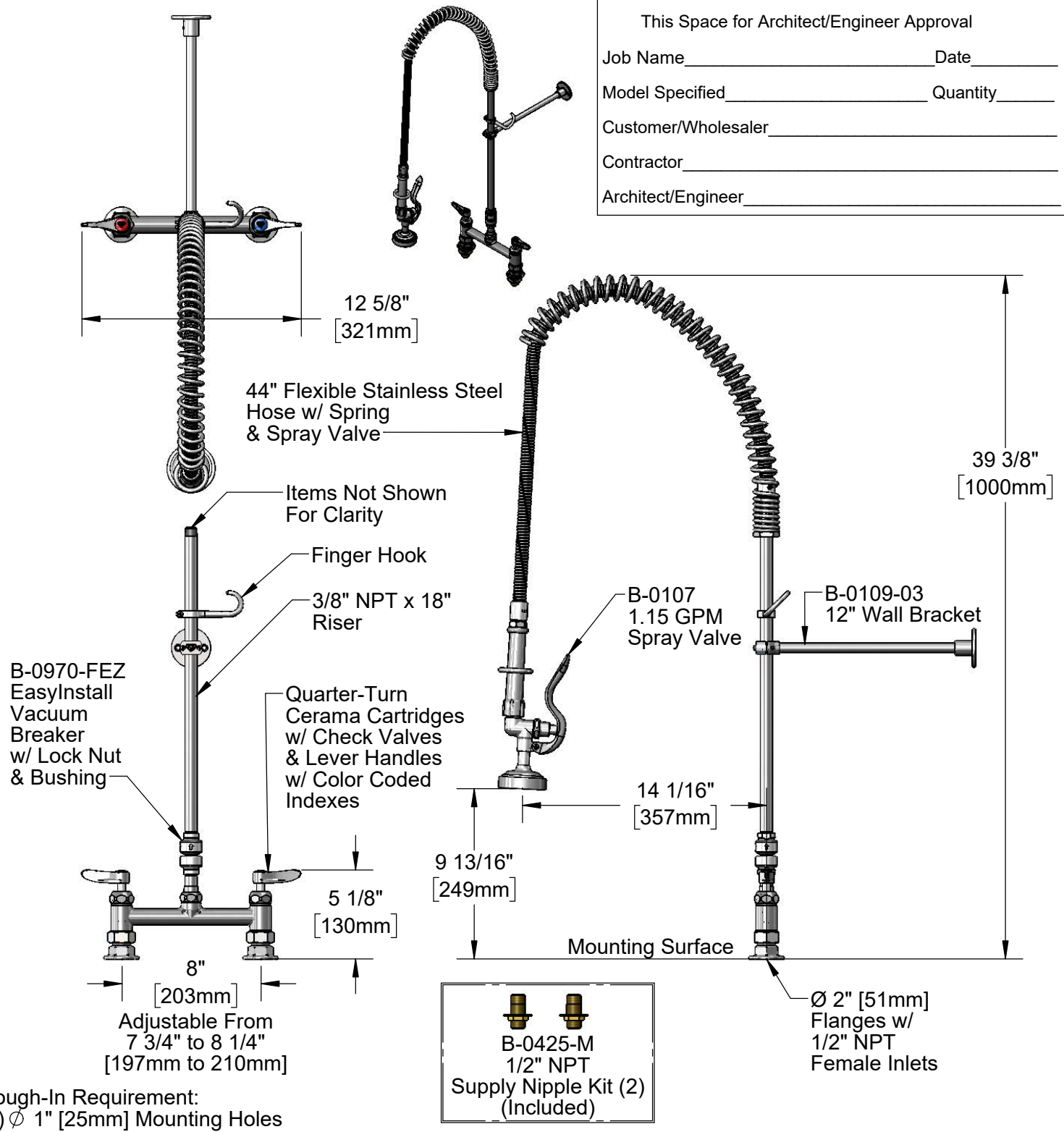
Job Name _____ Date _____

Model Specified _____ Quantity _____

Customer/Wholesaler _____

Contractor _____

Architect/Engineer _____



Rough-In Requirement:
 (2) Ø 1" [25mm] Mounting Holes

Product Specifications:
 Pre-Rinse Unit: EasyInstall 8" Deck Mount Mixing Faucet, Quarter-Turn Cerama Cartridges w/ Check Valves, 3/8" NPT Vacuum Breaker, 12" Wall Bracket, 44" Flexible Stainless Steel Hose, 1.15 GPM Spray Valve & 1/2" NPT Female Inlets

Product Compliance:
 ASME A112.18.1 / CSA B125.1
 NSF 61 - Section 9
 NSF 372 (Low Lead Content)
 2019 DOE PRSV - Class II
 CSA B64.8 (VB)



T&S BRASS AND BRONZE WORKS, INC.

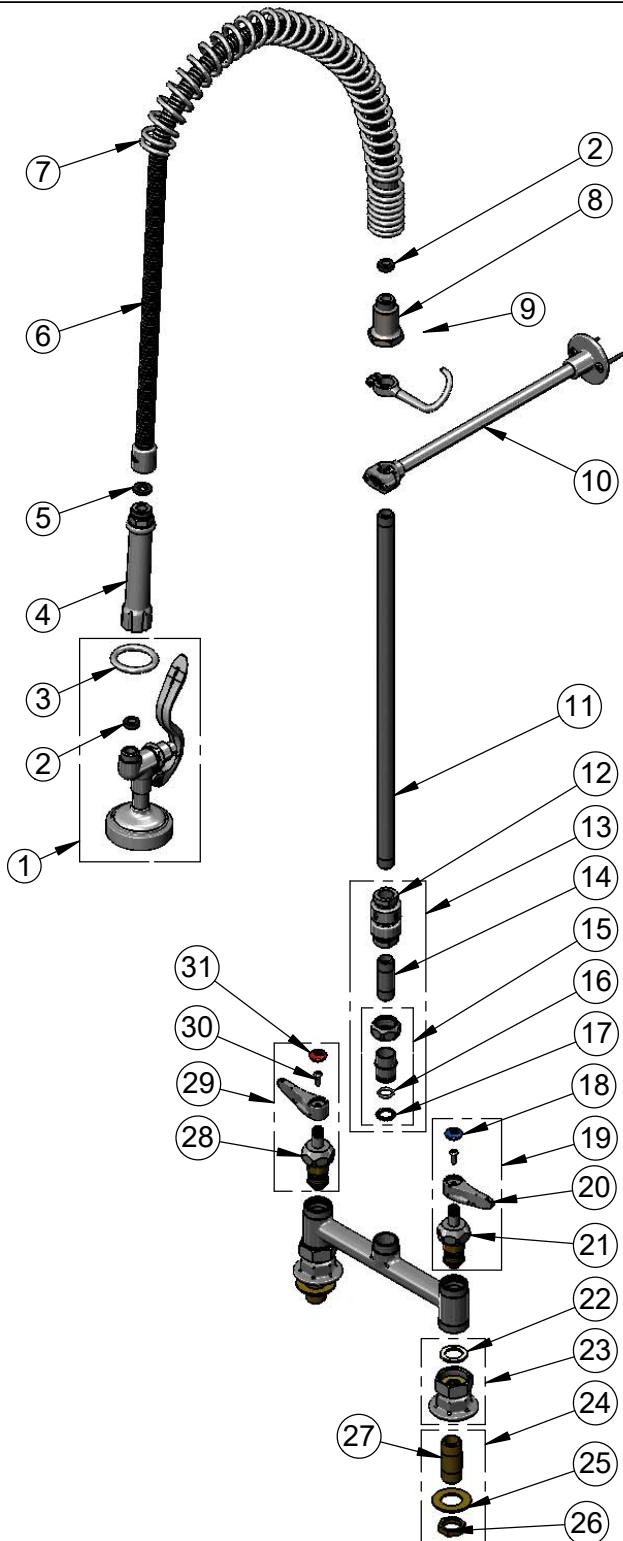
2 Saddleback Cove / P.O. Box 1088
Travelers Rest, SC 29690

Model No.

B-2277-CR

Item No.

Travelers Rest, SC: 800-476-4103 • Simi Valley, CA: 800-423-0150 • Fax: 864-834-3518 • www.tsbrass.com



ITEM NO.	SALES NO.	DESCRIPTION
1	B-0107	1.15 GPM Spray Valve
2	010476-45	#27 Washer
3	000907-45	Spray Valve Hold Down Ring
4	002987-40	Grip Handle
5	001014-45	Washer, B-0100 Hose Barrel
6	B-0044-H2A	44" Flexible Stainless Steel Hose, Less Handle
7	000888-45	EasyInstall Overhead Spring
8	000821-40	Spring Body
9	004R	Finger Hook
10	B-0109-03	12" Wall Bracket
11	000369-40	3/8" NPT x 18" Riser
12	B-0970-FE	3/8" NPT Vacuum Breaker
13	B-0970-FEZ	EasyInstall 3/8" NPT Vacuum Breaker
14	000357-40	3/8" NPT x 2" Riser
15	EZ-K	EasyInstall Kit: Nut, Bushing, O-ring & Lock Washer
16	001065-45	O-Ring
17	014200-45	Star Washer, Anti-Rotation
18	018506-19NS	Blue Button Index, Press-in
19	012447-25NS	Quarter-Turn Cerama Cartridge w/ Check Valve, Handle, Blue Index & Screw, LTC
20	001638-45NS	Lever Handle (New Style)
21	012395-25NS	Quarter-Turn Cerama Cartridge w/ Check Valve, LTC
22	001019-45	Coupling Nut Washer
23	00AA	1/2" NPT Female Eccentric Flange
24	B-0425-M	1/2" NPT Supply Nipple Kit (2)
25	000999-45	Brass Lock Washer
26	002954-45	Shank Lock Nut
27	000422-20	1/2" NPT Supply Nipple
28	012394-25NS	Quarter-Turn Cerama Cartridge w/ Check Valve, RTC
29	012446-25NS	Quarter-Turn Cerama Cartridge w/ Check Valve, Handle, Red Index & Screw, RTC
30	000925-45	Lab Handle Screw
31	000358-40	Red Button Index, Press-in

Product Specifications:

Pre-Rinse Unit: EasyInstall 8" Deck Mount Mixing Faucet, Quarter-Turn Cerama Cartridges w/ Check Valves, 3/8" NPT Vacuum Breaker, 12" Wall Bracket, 44" Flexible Stainless Steel Hose, 1.15 GPM Spray Valve & 1/2" NPT Female Inlets

Product Compliance:

ASME A112.18.1 / CSA B125.1
NSF 61 - Section 9
NSF 372 (Low Lead Content)
2019 DOE PRSV - Class II
CSA B64.8 (VB)