



# T&S BRASS AND BRONZE WORKS, INC.

2 Saddleback Cove / P.O. Box 1088  
Travelers Rest, SC 29690

Model No.

**B-2492**

Item No.

Travelers Rest, SC: 800-476-4103 • Simi Valley, CA: 800-423-0150 • Fax: 864-834-3518 • www.tsbrass.com



**ADA Compliant**

This Space for Architect/Engineer Approval

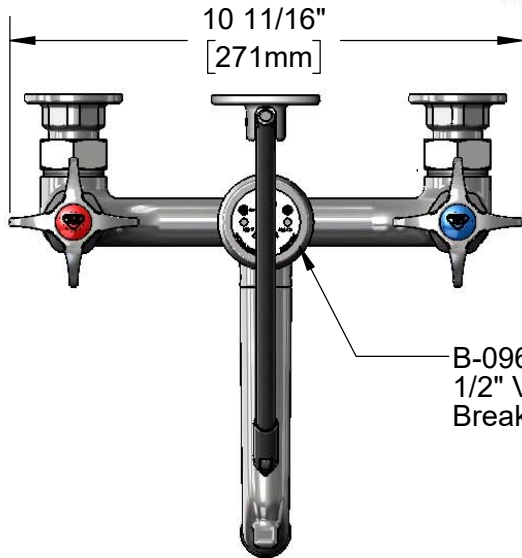
Job Name \_\_\_\_\_ Date \_\_\_\_\_

Model Specified \_\_\_\_\_ Quantity \_\_\_\_\_

Customer/Wholesaler \_\_\_\_\_

Contractor \_\_\_\_\_

Architect/Engineer \_\_\_\_\_



B-0969  
1/2" Vacuum  
Breaker



Support Rod  
Wall Bracket  
w/ Mounting  
Screws

Mounting  
Surface

14 5/16"  
[364mm]

Quarter-Turn  
Eterna Cartridges w/  
Spring Checks &  
4-Arm Handles w/  
Color Coded Indexes

Items Not Shown  
for Clarity

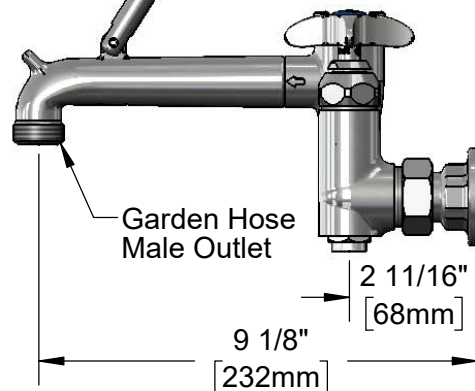
Rough Chrome  
Finish on Faucet  
Body & Spout

3 7/8"  
[99mm]

Ø2" [51mm]  
Flanges w/  
1/2" NPT  
Female Inlets

Integral  
Service Stops

8"  
[203mm]  
Adjustable From  
7 3/4" to 8 1/4"  
[197mm to 210mm]



Garden Hose  
Male Outlet

2 11/16"  
[68mm]

9 1/8"  
[232mm]

**Product Specifications:**

8" Wall Mount Rough Chrome Service Sink Faucet, Eterna Cartridges w/ Spring Checks, 4-Arm Handles, Vacuum Breaker, Integral Service Stops, Upper Support & 1/2" NPT Female Inlets

**Product Compliance:**

ASME A112.18.1 / CSA B125.1  
NSF 61 - Section 9  
NSF 372 (Low Lead Content)  
ANSI A117.1 (ADA)  
ASSE 1001 (VB)



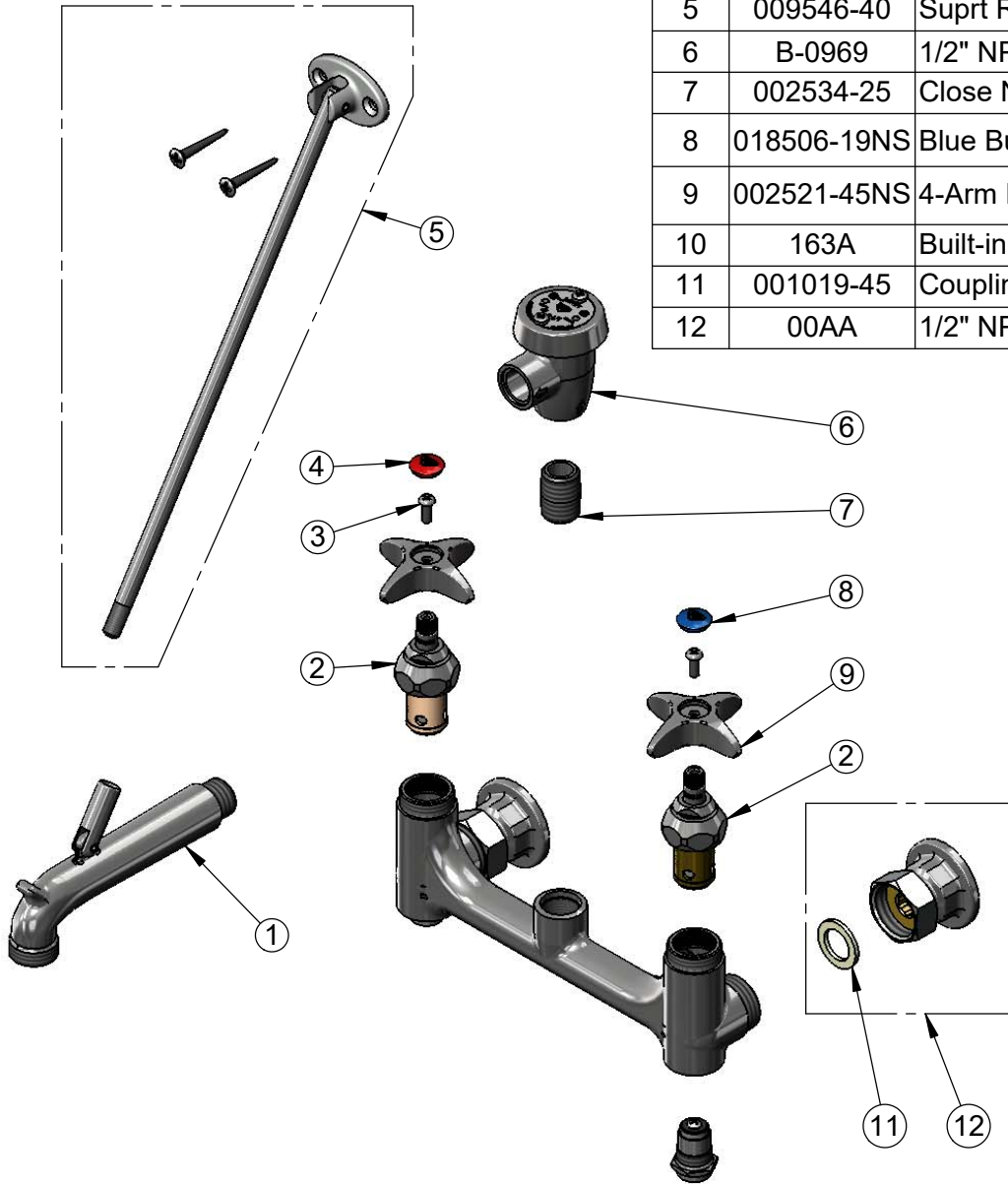
**T&S BRASS AND BRONZE WORKS, INC.**  
 2 Saddleback Cove / P.O. Box 1088  
 Travelers Rest, SC 29690

Model No.  
**B-2492**

Item No.

Travelers Rest, SC: 800-476-4103 • Simi Valley, CA: 800-423-0150 • Fax: 864-834-3518 • www.tsbrass.com

ITEM NO.	SALES NO.	DESCRIPTION
1	009545-25	Spout w/ Male GH Outlet & Upper Clevis - Rough Chrome
2	012443-40NS	Quarter-Turn Eterna Cartridge w/ Spring Check, RTC
3	000925-45	Lab Handle Screw
4	001193-19NS	Red Button Index, Press-in
5	009546-40	Suprt Rod B-0665 - Polish Chrome
6	B-0969	1/2" NPT Vacuum Breaker
7	002534-25	Close Nipple, 1/2" NPT
8	018506-19NS	Blue Button Index, Press-in
9	002521-45NS	4-Arm Handle (New Style)
10	163A	Built-in Service Stop
11	001019-45	Coupling Nut Washer
12	00AA	1/2" NPT Female Eccentric Flange



**Product Specifications:**

8" Wall Mount Rough Chrome Service Sink Faucet, Eterna Cartridges w/ Spring Checks, 4-Arm Handles, Vacuum Breaker, Integral Service Stops, Upper Support & 1/2" NPT Female Inlets

**Product Compliance:**

ASME A112.18.1 / CSA B125.1  
 NSF 61 - Section 9  
 NSF 372 (Low Lead Content)  
 ANSI A117.1 (ADA)  
 ASSE 1001 (VB)