



T&S BRASS AND BRONZE WORKS, INC.

2 Saddleback Cove / P.O. Box 1088
Travelers Rest, SC 29690

Model No.

B-2339-7132MVBH

Item No.

Travelers Rest, SC: 800-476-4103 • Simi Valley, CA: 800-423-0150 • Fax: 864-834-3518 • www.tsbrass.com

This Space for Architect/Engineer Approval

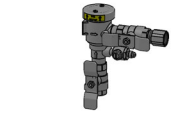
Job Name _____ Date _____

Model Specified _____ Quantity _____

Customer/Wholesaler _____

Contractor _____

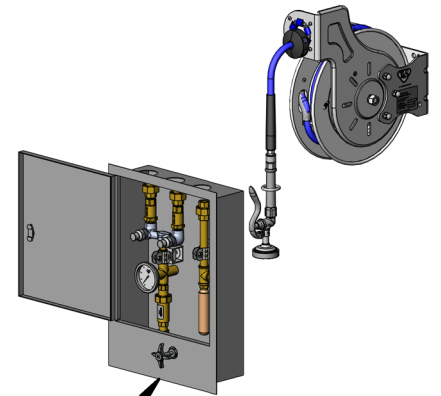
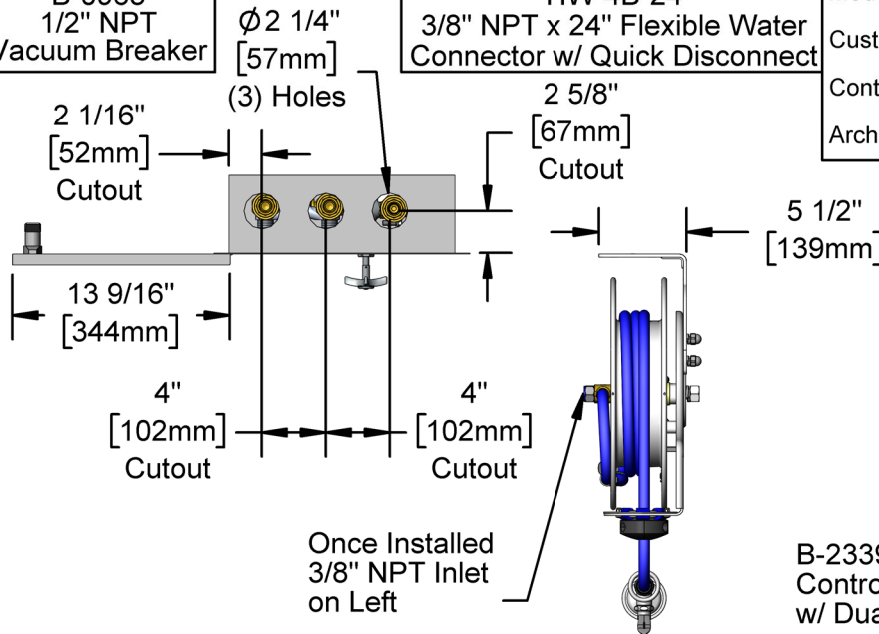
Architect/Engineer _____



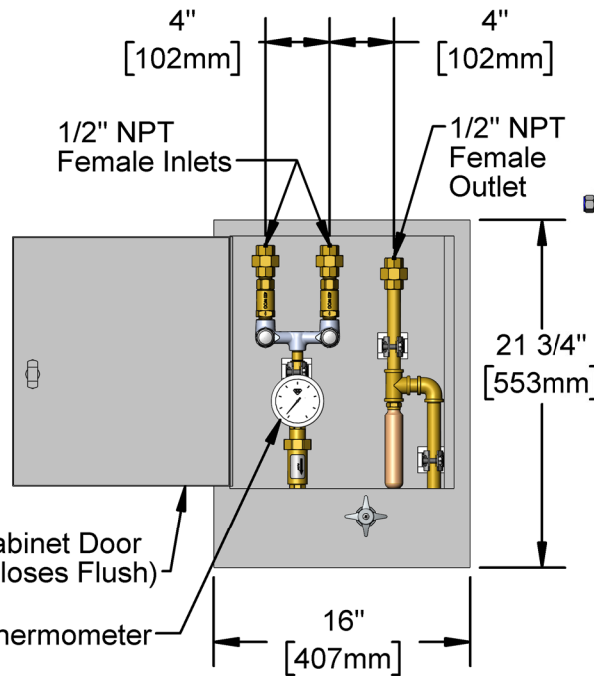
B-0963
1/2" NPT
Vacuum Breaker



HW-4B-24
3/8" NPT x 24" Flexible Water
Connector w/ Quick Disconnect



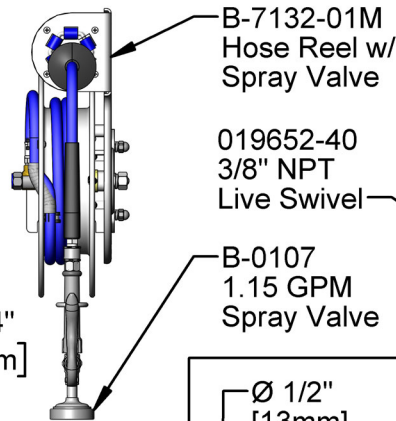
B-2339-LR
Control Cabinet
w/ Dual Check Valves



Cabinet Door
(Closes Flush)

Thermometer

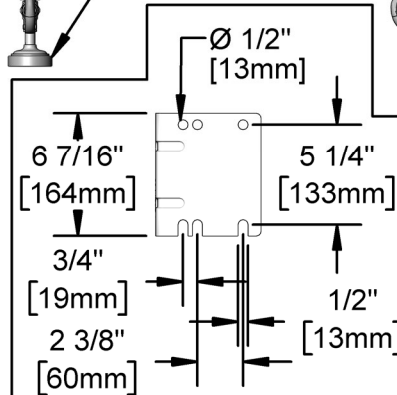
Cabinet Rough-In Requirement:
20 1/4" H x 14 1/4" W x 5" D



B-7132-01M
Hose Reel w/
Spray Valve

019652-40
3/8" NPT
Live Swivel

B-0107
1.15 GPM
Spray Valve



2" [51mm] Closed
2 3/16" [60mm] Open

Main Shutoff Valve
Body Behind Panel.
Operable From
Outside of Closed
Cabinet.

Product Specifications:

Open Hose Reel w/ 35' Hose, 1.15 GPM Spray Valve w/ Swivel, Rinse Control Cabinet w/ Control Valve, Dual Check Valves, Thermometer, Water Hammer Arrestor, 1/2" NPT Vacuum Breaker & 3/8" Flexible Water Connector w/ Quick Disconnect

Product Compliance:

ASSE 1024 (VB)
NSF 61 Exempt (Non-Potable)
2019 DOE PRSV - Class II
ASSE 1056 (VB)
ASSE 1010 (Arrestor)

Drawn: MRC

Checked: JRM

Approved: JHB

Date: 10/03/19

Scale: 1:12

Sheet: 1 of 2



T&S BRASS AND BRONZE WORKS, INC.

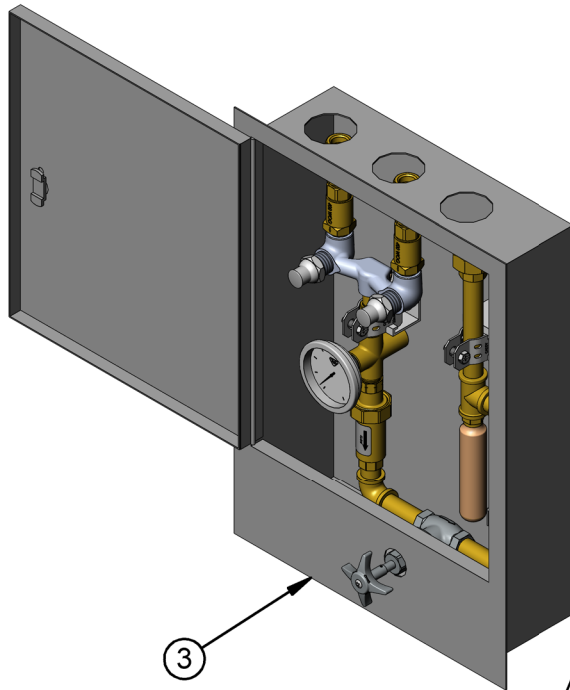
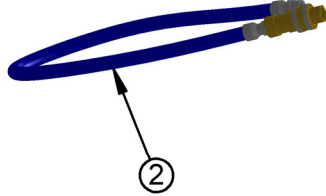
2 Saddleback Cove / P.O. Box 1088
Travelers Rest, SC 29690

Model No.

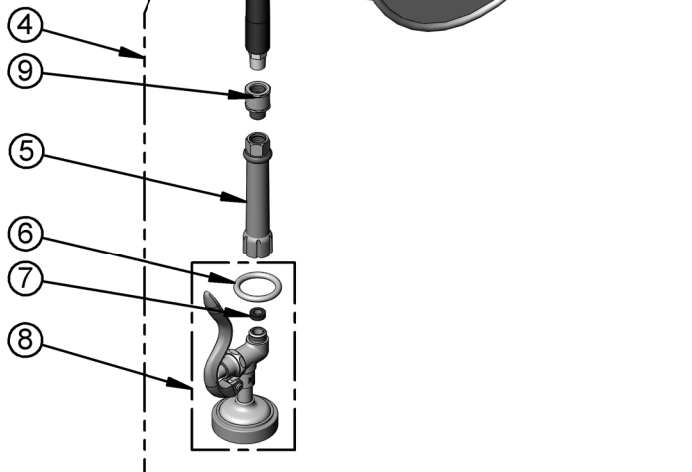
B-2339-7132MVBH

Item No.

Travelers Rest, SC: 800-476-4103 • Simi Valley, CA: 800-423-0150 • Fax: 864-834-3518 • www.tsbrass.com



ITEM NO.	SALES NO.	DESCRIPTION
1	B-0963	1/2" NPT Continuous Pressure VB w/ Integral Check Valve
2	HW-4B-24	3/8" x 24" Flexible Water Connector w/ Quick Disconnect
3	B-2339-LR	Reel Control Cabinet w/ Control Valve, Dual Check Valves & Thermometer
4	B-7132-01M	Open Stainless Steel Reel w/ 35' of 3/8" Hose & Spray Valve
5	002881-40	Gray Grip Handle
6	000907-45	Spray Valve Hold Down Ring
7	010476-45	#27 Washer
8	B-0107	1.15 GPM Spray Valve
9	019652-40	3/8" NPT Live Swivel



Product Specifications:

Open Hose Reel w/ 35' Hose, 1.15 GPM Spray Valve w/ Swivel, Rinse Control Cabinet w/ Control Valve, Dual Check Valves, Thermometer, Water Hammer Arrestor, 1/2" NPT Vacuum Breaker & 3/8" Flexible Water Connector w/ Quick Disconnect

Product Compliance:

ASSE 1024 (VB)
NSF 61 Exempt (Non-Potable)
2019 DOE PRSV - Class II
ASSE 1056 (VB)
ASSE 1010 (Arrestor)