



**T&S BRASS AND BRONZE WORKS, INC.**  
 2 Saddleback Cove / P.O. Box 1088  
 Travelers Rest, SC 29690

Model No.  
**HG-4E-48GS-K**

Item No.

Travelers Rest, SC: 800-476-4103 • Simi Valley, CA: 800-423-0150 • Fax: 864-834-3518 • www.tsbrass.com

This Space for Architect/Engineer Approval

Job Name \_\_\_\_\_ Date \_\_\_\_\_

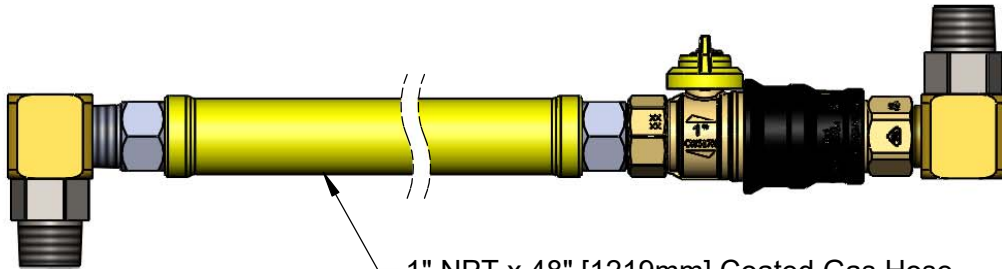
Model Specified \_\_\_\_\_ Quantity \_\_\_\_\_

Customer/Wholesaler \_\_\_\_\_

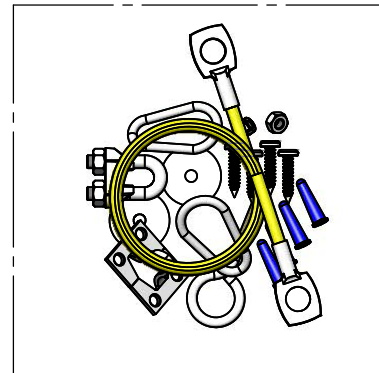
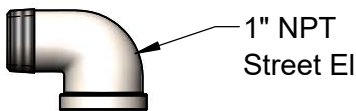
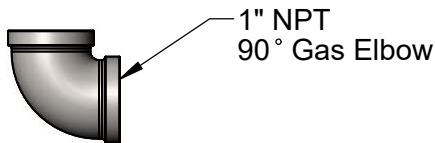
Contractor \_\_\_\_\_

Architect/Engineer \_\_\_\_\_

# SAFE-T-GUARD



1" NPT x 48" [1219mm] Coated Gas Hose  
 w/ 1" NPT SAFE-T-GUARD Quick Disconnect  
 Valve Gas Coupling & 1" SwiveLink Fittings



AG-RC  
 Restraining Cable Kit

Product Specifications:  
 Safe-T-Link Gas Appliance Connector: 1" x 48" Coated Gas Hose w/ 1"  
 Quick Disconnect Valve Gas Coupling, 1" SwiveLink Fittings, 1" Gas Elbows  
 & Restraining Cable Kit

Product Compliance:  
 ANSI Z21.69 / CSA 6.16  
 NSF 2  
 NFPA 54