



T&S BRASS AND BRONZE WORKS, INC.
 2 Saddleback Cove / P.O. Box 1088
 Travelers Rest, SC 29690

Model No.
TPS1000-BS1

Item No.

Travelers Rest, SC: 800-476-4103 • Simi Valley, CA: 800-423-0150 • Fax: 864-834-3518 • www.tsbrass.com

This Space for Architect/Engineer Approval

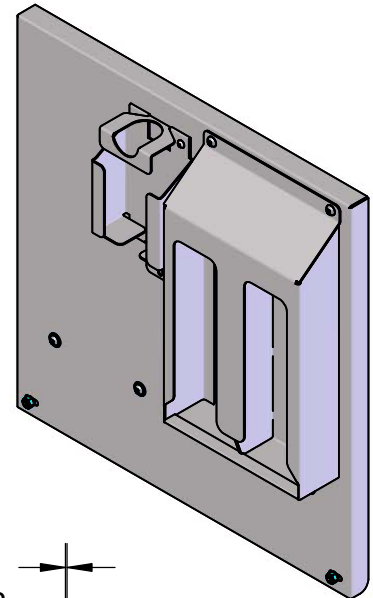
Job Name _____ Date _____

Model Specified _____ Quantity _____

Customer/Wholesaler _____

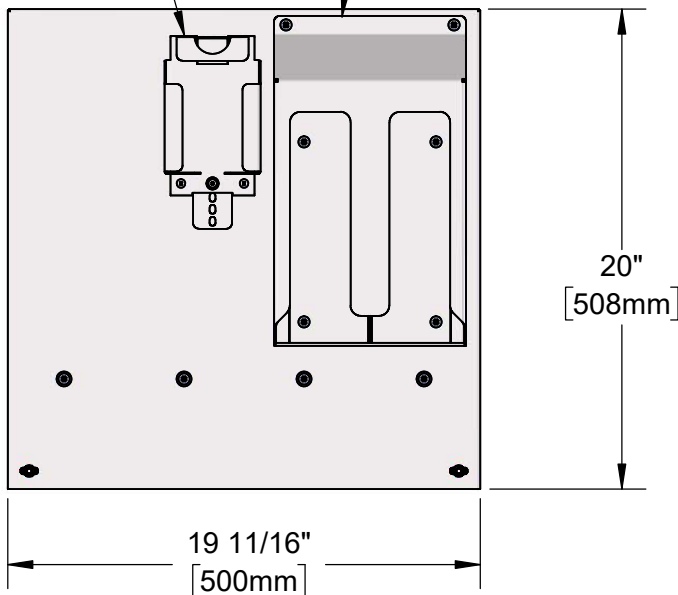
Contractor _____

Architect/Engineer _____

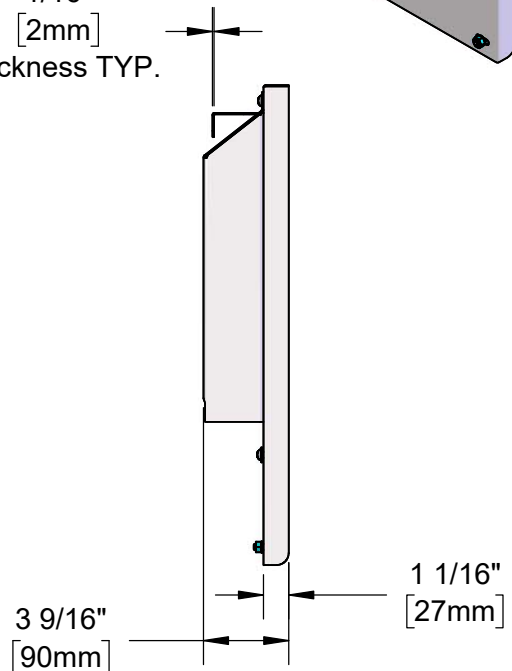


Soap Dispenser Fits
 3 7/8" Wide x 2"
 Deep x 5" to 8" Tall
 Soap Bottle

Bay is Designed to 1/2
 Ream of 150-count, 1-ply
 Sheets (3.7" x 10.1")
 Paper Towels



1/16"
[2mm]
Thickness TYP.



Product Specifications:
 Stainless Steel Backsplash w/ Soap Dispenser and Paper Towel Holder

Product Compliance: