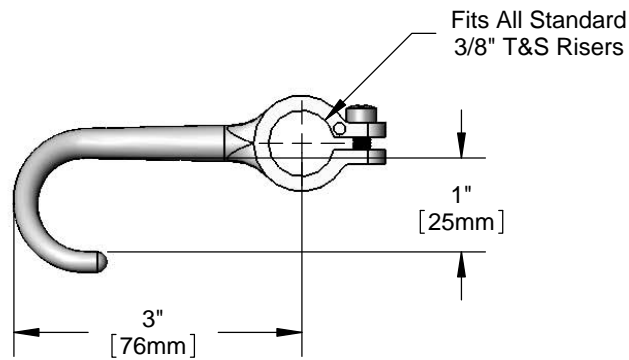
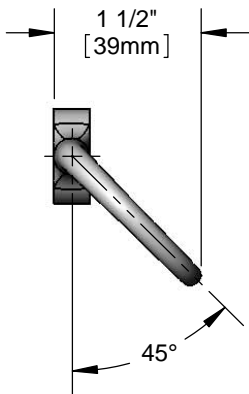
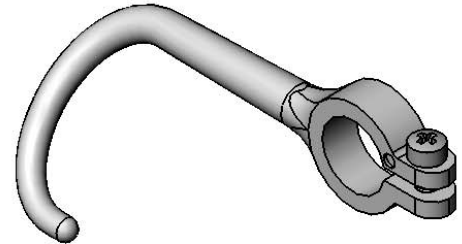




Architect/Engineering Specifications:

Finger hook with screw.

Job Name _____	
Model Specified _____	Quantity _____
Variations Specified _____	
Date _____	



Features & Benefits:

- Finger hook w/ screw
- Material: Chrome plated metal

Product Compliance:

- N/A

Warranty: One Year (Limited)

Performance Data:

- N/A

