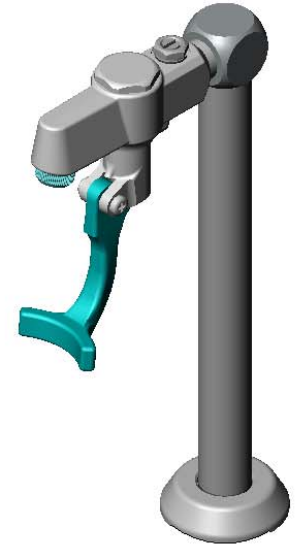
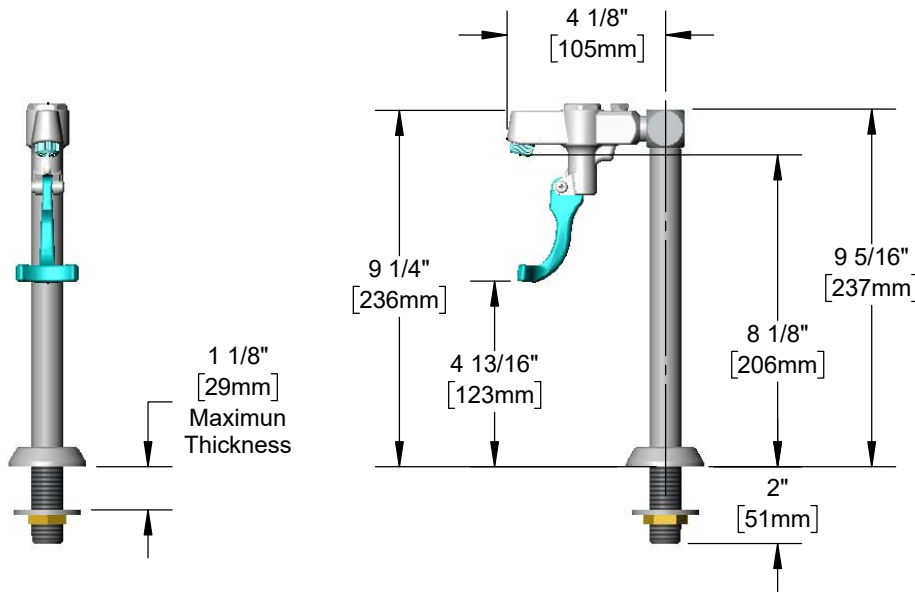


Architect/Engineering Specifications:

8" high deck glass filler with polished chrome plated brass body, adjustable flow outlet, push back actuation arm, pedestal with adjustable deck flange and 1/2" NPT male inlet. Certified to ASME A112.18.1\CSA B125.1, NSF 61-Section 9 and NSF 372. Meets ADA ANSINICC A117.1 requirements.

Job Name _____
 Model Specified _____ Quantity _____
 Variations Specified _____
 Date _____



Features & Benefits:

- 8" high deck glass filler
- Instantaneous shut-off
- 1/2" NPT male inlet
- Pedestal w/ adjustable ϕ 2" flange
- Material: Polished chrome plated brass body & pedestal, chrome plated metal flange and thermoplastic arm

Product Compliance:

- ASME A112.18.1 / CSA B125.1
- NSF 61 - Section 9
- NSF 372 (Low Lead Content)
- ANSI A117.1 (ADA)



Warranty: One Year (Limited)

Performance Data:

- Pressure: 20 - 125 psi [1.38 - 8.62 bar]
- Temperature: 40 °F - 140 °F [4.44 °C - 60 °C]
- Flow Rate: 0.25 GPM min [.95 L/min] @ 60 psi [4.14 bar]
2.50 GPM max [9.46 L/min] @ 60 psi [4.14 bar]



ADA Compliant