



Architect/Engineering Specifications:

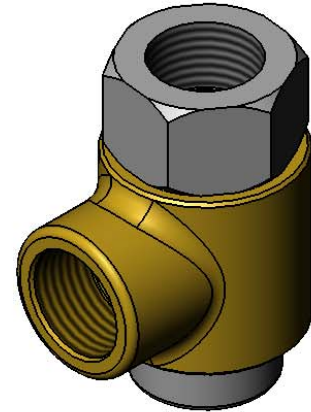
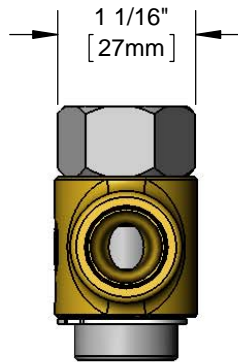
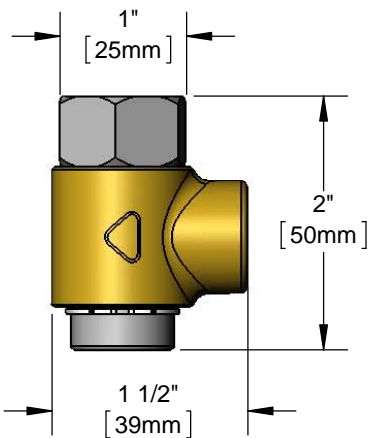
3/8" NPT swivel assembly with 3/8" NPT stainless steel inlet, 3/8" NPT brass swivel outlet, stainless steel clip ring and o-rings.

Job Name _____

Model Specified _____ Quantity _____

Variations Specified _____

Date _____



Features & Benefits:

- 3/8" NPT swivel assembly
- 3/8" NPT stainless steel inlet
- 3/8" NPT brass swivel outlet
- Stainless steel clip ring
- Material: Brass body outlet and stainless steel inlet

Product Compliance:

- N/A

Warranty: One Year (Limited)

Performance Data:

- N/A