



Architect/Engineering Specifications:

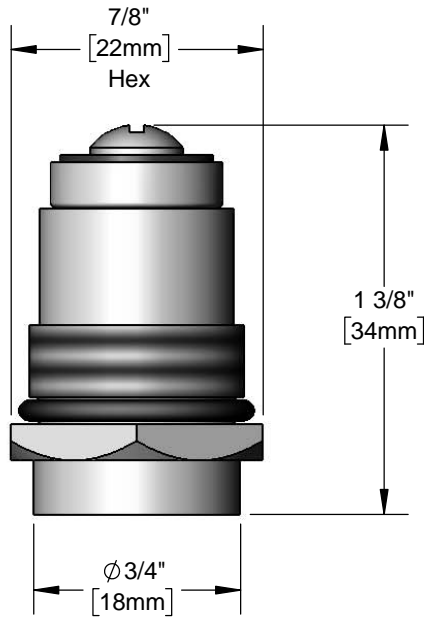
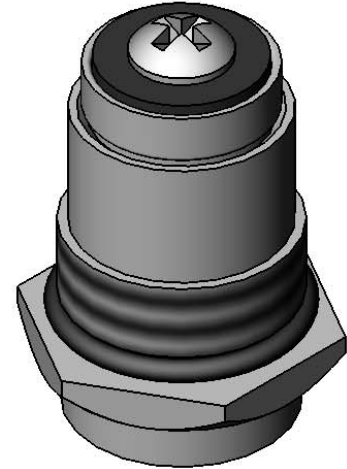
Built-in screwdriver stop with chrome plated brass body. Certified to NSF 61-Section 9 and NSF 372.

Job Name _____

Model Specified _____ Quantity _____

Variations Specified _____

Date _____



Features & Benefits:

- Built-in screwdriver stop w/ chrome plated brass body
- 3/4-20 UN male thread
- Material: Chrome plated brass

Product Compliance:

- NSF 61 - Section 9
- NSF 372 (Low Lead Content)



Warranty: One Year (Limited)

Performance Data:

- N/A

