



Architect/Engineering Specifications:

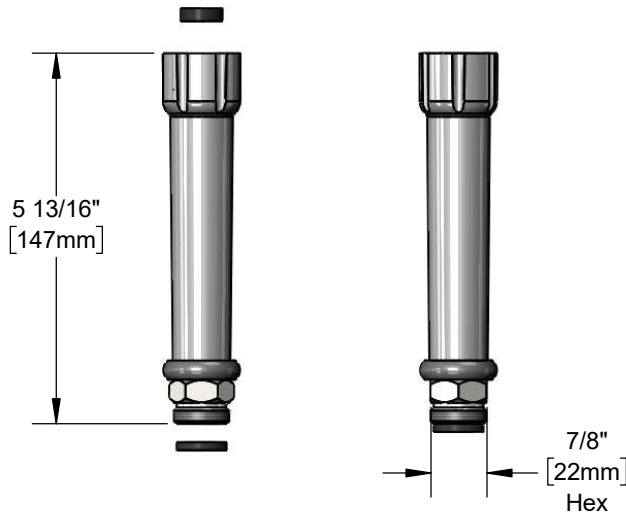
Grey grip handle with 7/8-20 UN male inlet and 3/4-14 UN female outlet. Certified to ASME A112.18.1/CSA B125.1, NSF 61-Section 9 and NSF 372.

Job Name _____

Model Specified _____ Quantity _____

Variations Specified _____

Date _____



Features & Benefits:

- Grey grip handle
- 7/8-20 UN male inlet
- 3/4-14 UN female outlet
- Washers (included)
- Material: Thermoplastic handle

Product Compliance:

- ASME A112.18.1 / CSA B125.1
- NSF 61 - Section 9
- NSF 372 (Low Lead Content)



Warranty: One Year (Limited)

Performance Data:

- Pressure: 20 - 125 psi [1.38 - 8.62 bar]
- Temperature: 40 °F - 140 °F [4.44 °C - 60 °C]
- Flow Rate: 6.73 GPM [25.48 L/min] @ 60 psi [4.14 bar]

