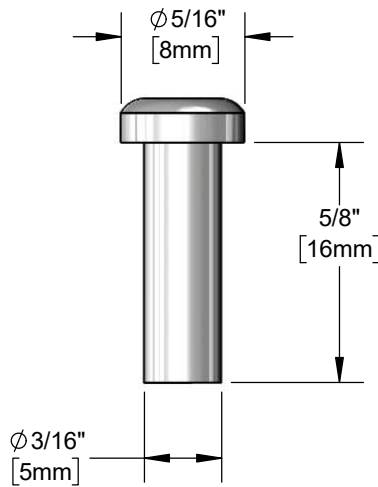
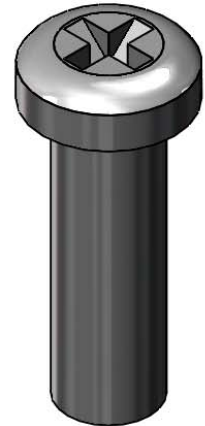




Architect/Engineering Specifications:

Chrome plated spray valve handle nut.

Job Name _____
 Model Specified _____ Quantity _____
 Variations Specified _____
 Date _____



Features & Benefits:

- Chrome plated spray valve handle nut
- #8-32 UN female thread
- Material: Chrome plated brass

Product Compliance:

- N/A

Warranty: One Year (Limited)

Performance Data:

- N/A

