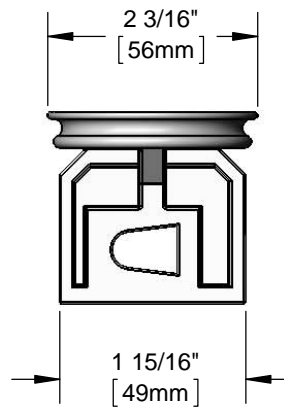
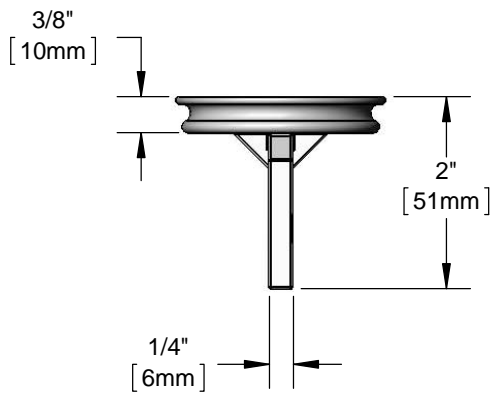
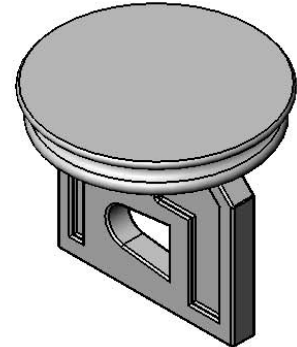




**Architect/Engineering Specifications:**

Plunger, rotary (twist) & lever handle waste valve.

Job Name	_____
Model Specified	_____ Quantity _____
Variations Specified	_____
Date	_____



**Features & Benefits:**

- Plunger, rotary (twist) & lever handle waste valve
- Material: Chrome plated brass

**Product Compliance:**

- N/A

**Warranty:** One Year (Limited)

**Performance Data:**

- N/A

