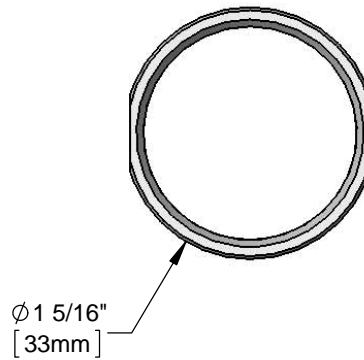
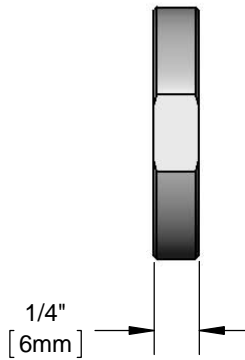




Architect/Engineering Specifications:

Polished chrome plated escutcheon nut.

Job Name _____
 Model Specified _____ Quantity _____
 Variations Specified _____
 Date _____



Features & Benefits:

- Escutcheon nut
- Material: Polished chrome plated brass.

Product Compliance:

- N/A

Warranty: One Year (Limited)

Performance Data:

- N/A

