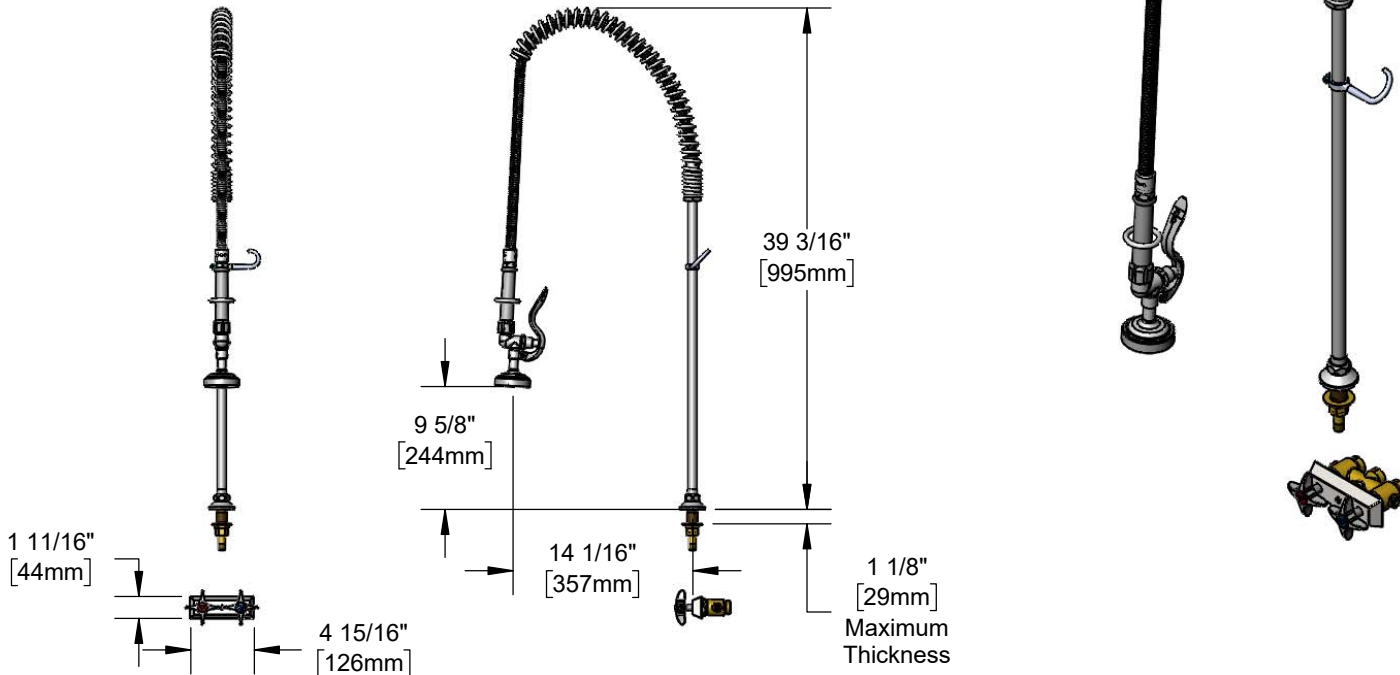




Architect/Engineering Specifications:

Single hole deck mount dummy pre-rinse with 1/2" NPSM male inlet and remote control faucet with 3/8" NPT female inlets with polished chrome plated brass bodies, 24" riser, 44" flexible stainless steel hose with heat resistant handle, 1.15 GPM spray valve, compression cartridges with spring checks and spray valve holder. Certified to ASME A112.18.1/CSA B125.1, NSF 61-Section 9 and NSF 372. 2019 DOE PRSV - Class II compliant.

Job Name _____
 Model Specified _____ Quantity _____
 Variations Specified _____
 Date _____



Features & Benefits:

- Single hole deck mount dummy pre-rinse and remote control valve w/ polished chrome plated brass bodies
- EasyInstall 24" riser
- 44" flexible stainless steel hose w/ heat resistant gray handle
- 1.15 GPM spray valve
- Concealed mixing faucet w/ quarter-turn Eterna compression cartridges w/ spring checks to prevent cross flow of water
- 4-arm handles w/ color coded indexes
- Piping provided by others
- 1/2" NPSM shank w/ tailpiece and nut for 1/4" NPT connections
- Material: Polished chrome plated brass bodies, riser & spray valve head, stainless steel hose, and chrome plated metal handles

Product Compliance:

- ASME A112.18.1 / CSA B125.1
- NSF 61 - Section 9
- NSF 372 (Low Lead Content)
- 2019 DOE PRSV - Class II

Warranty: One Year (Limited)

Performance Data:

- Pressure: 20 - 125 psi
- Temperature: 40 °F - 140 °F
- Flow Rate: 1.15 GPM @ 60 psi

Optional Pre-Rinse Spray Valves

- B-0107 (1.15 GPM) (Standard)
- B-0107-C (0.65 GPM)
- B-0107-J (1.07 GPM)
- B-0108 (1.07 GPM)
- B-0108-C (0.65 GPM)

Optional Cartridges With Checks

- Quarter-Turn Cerama w/ Check Valve
- Quarter-Turn Eterna w/ Spring Check (Standard)

