



**Faucets and Fittings**  
**B-0230-KIT**

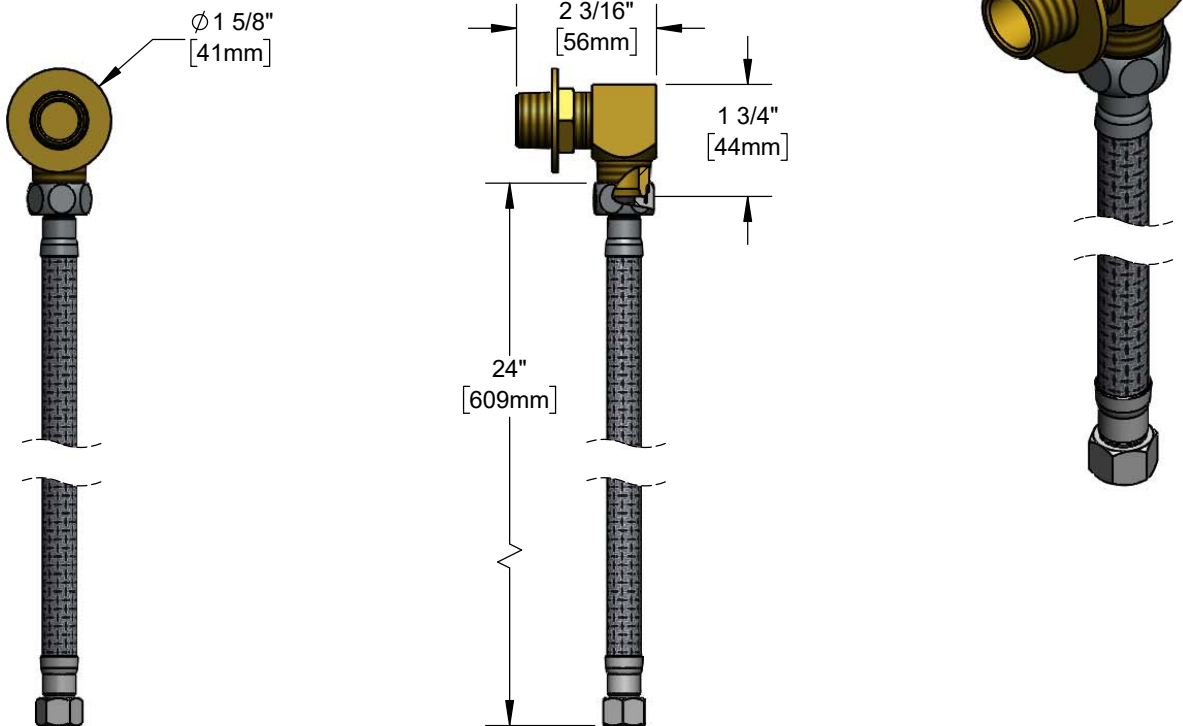
TAG:

*Inlet Kit*

**Architect/Engineering Specifications:**

Inlet kit. 24" supply hoses, short elbows, nipples, lock nuts and washers that provide 1/2" NPT male out and 3/8" compression inlet when assembled. Certified to ASME A112.18.1/CSA B125.1, NSF 61-Section 9 and NSF 372.

Job Name \_\_\_\_\_  
 Model Specified \_\_\_\_\_ Quantity \_\_\_\_\_  
 Variations Specified \_\_\_\_\_  
 Date \_\_\_\_\_



**Features & Benefits:**

- Inlet kit
- (2) short elbows with 1/2" NPT male inlet and 1/2" NPT male outlet
- (2) 1/2" NPT supply nipples
- (2) lock nuts and washers
- (2) 24" flexible stainless steel supply hoses w/ 3/8" compression inlet and 1/2" NPSM outlet
- Material: Brass inlets & shanks and stainless steel hoses

**Product Compliance:**

- ASME A112.18.1 / CSA B125.1
- NSF 61 - Section 9
- NSF 372 (Low Lead Content)

**Warranty:** One Year (Limited)

**Performance Data:**

- N/A



**T&S BRASS AND BRONZE WORKS, INC.**



• 2 Saddleback Cove • Travelers Rest, SC 29690  
 Ph 800-476-4103 • Fax 864-834-3518  
 • Simi Valley, CA • Ph 800-423-0150 • www.tsbrass.com

Date: 03/03/20