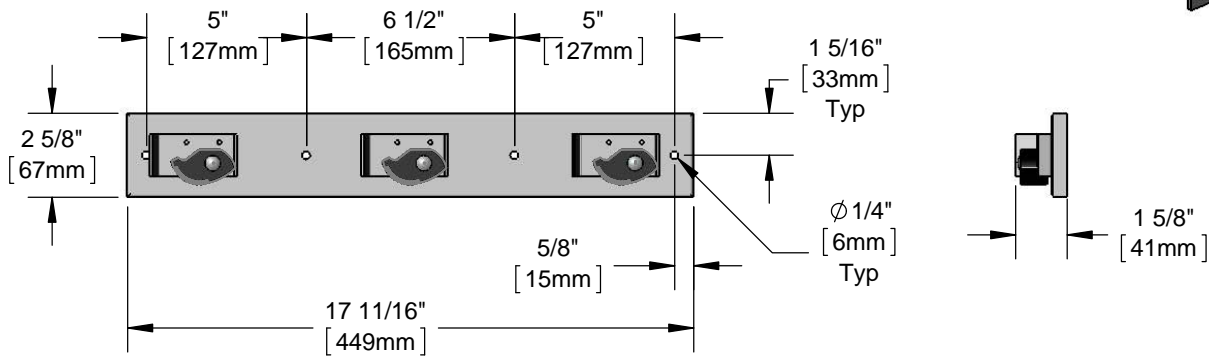
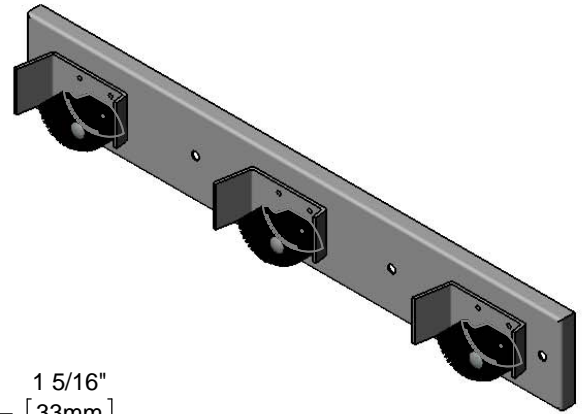




**Architect/Engineering Specifications:**

17 11/16" long stainless steel mop hanger with three (3) spring-loaded rubber grips.

Job Name \_\_\_\_\_  
 Model Specified \_\_\_\_\_ Quantity \_\_\_\_\_  
 Variations Specified \_\_\_\_\_  
 Date \_\_\_\_\_



**Features & Benefits:**

- Stainless steel mop hanger
- Three (3) spring-loaded rubber grips
- 17 11/16" long by 2 5/8" wide
- (4) Mounting screws included
- Material: Stainless steel body & rubber grips

**Product Compliance:**

- N/A

**Warranty:** One Year (Limited)

**Performance Data:**

- N/A

