



**Architect/Engineering Specifications:**

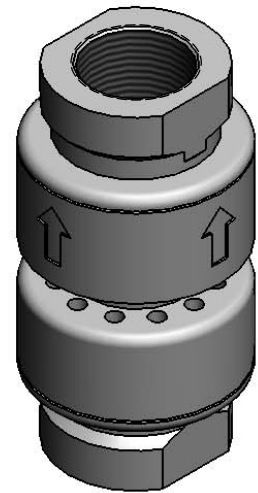
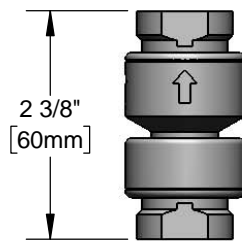
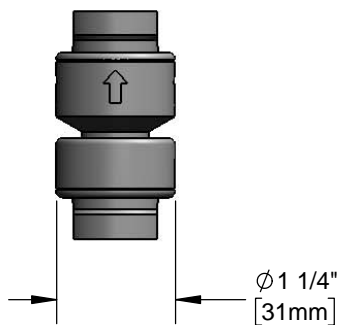
In-line continuous pressure dual check vacuum breaker with intermediate vent, polished chrome plated brass body, 3/8" NPT female inlet and outlet. Certified to ASME A112.18.1/CSA B125.1, NSF 61-Section 9, NSF 372 and CSA B64.8.

Job Name \_\_\_\_\_

Model Specified \_\_\_\_\_ Quantity \_\_\_\_\_

Variations Specified \_\_\_\_\_

Date \_\_\_\_\_



**Features & Benefits:**

- In-line 3/8" continuous pressure dual check vacuum breaker with intermediate vent
- Polished chrome plated brass body
- 3/8" NPT female inlet and outlet
- Design prevents back siphonage and back-flow
- Material: Polished chrome plated brass body

**Product Compliance:**

- ASME A112.18.1 / CSA B125.1
- NSF 61 - Section 9
- NSF 372 (Low Lead Content)
- CSA B64.8 (VB)

**Warranty:** One Year (Limited)

**Performance Data:**

- Pressure: 20 - 125 psi
- Temperature: 40°F - 140°F
- Flow Rate: 7.27 GPM @ 60 psi

