



# Quick-Connect Spray Valves

## B-1424

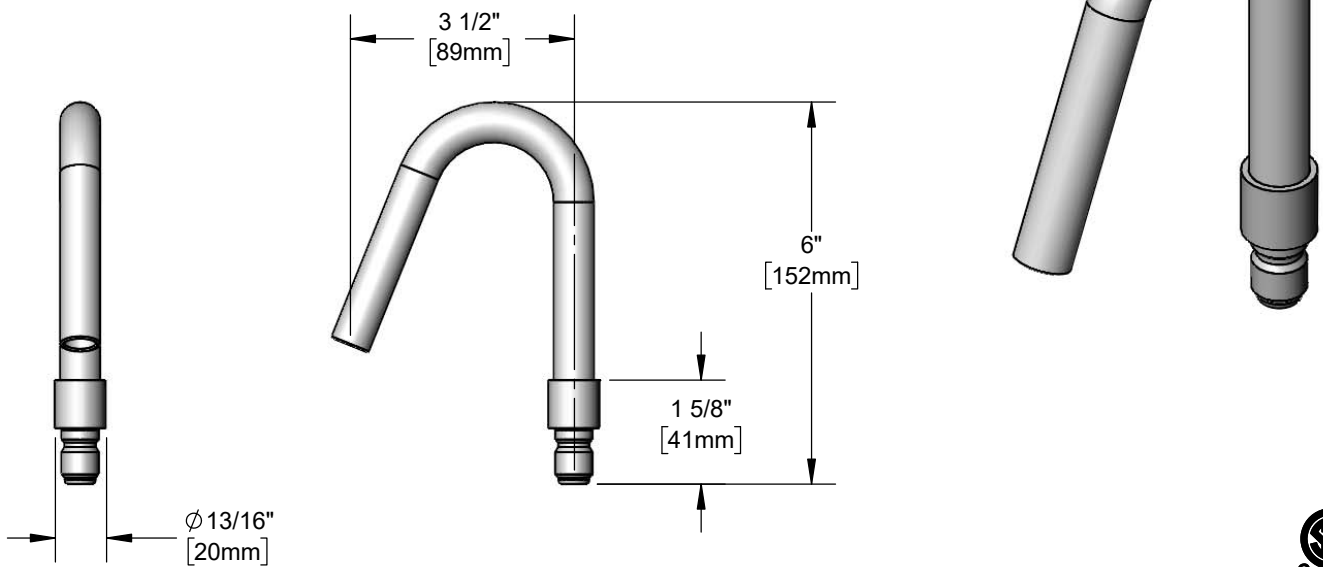
TAG:

### Hook Nozzle Quick-Connect

#### Architect/Engineering Specifications:

Hook nozzle with chrome plated brass body and quick connect socket. Certified to ASME A112.18.1/CSA B125.1, NSF 61-Section 9 and NSF 372.

Job Name \_\_\_\_\_  
 Model Specified \_\_\_\_\_ Quantity \_\_\_\_\_  
 Variations Specified \_\_\_\_\_  
 Date \_\_\_\_\_



#### Features & Benefits:

- Hook nozzle with quick-connect socket
- Material: Polished chrome plated brass body and chrome plated brass quick disconnect

#### Product Compliance:

- ASME A112.18.1 / CSA B125.1
- NSF 61 - Section 9
- NSF 372 (Low Lead Content)

**Warranty:** One Year (Limited)

#### Performance Data:

- Pressure: 20 - 125 psi [1.38 - 8.62 bar]
- Temperature: 40 °F - 140 °F [4.44 °C - 60 °C]
- Flow Rate: 5.21 GPM [19.72 L/min] @ 60 psi [4.14 bar]

Final Configuration (Hose and/or Handle) Will Reduce Flow Rate



**T&S BRASS AND BRONZE WORKS, INC.**



• 2 Saddleback Cove • Travelers Rest, SC 29690  
 Ph 800-476-4103 • Fax 864-834-3518  
 • Simi Valley, CA • Ph 800-423-0150 • www.tsbrass.com

Date: 11/21/19